

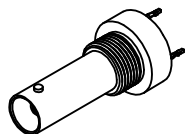
MATERIALS AND FINISHES

BODY ZINC ALLOY
PLATED NICKEL

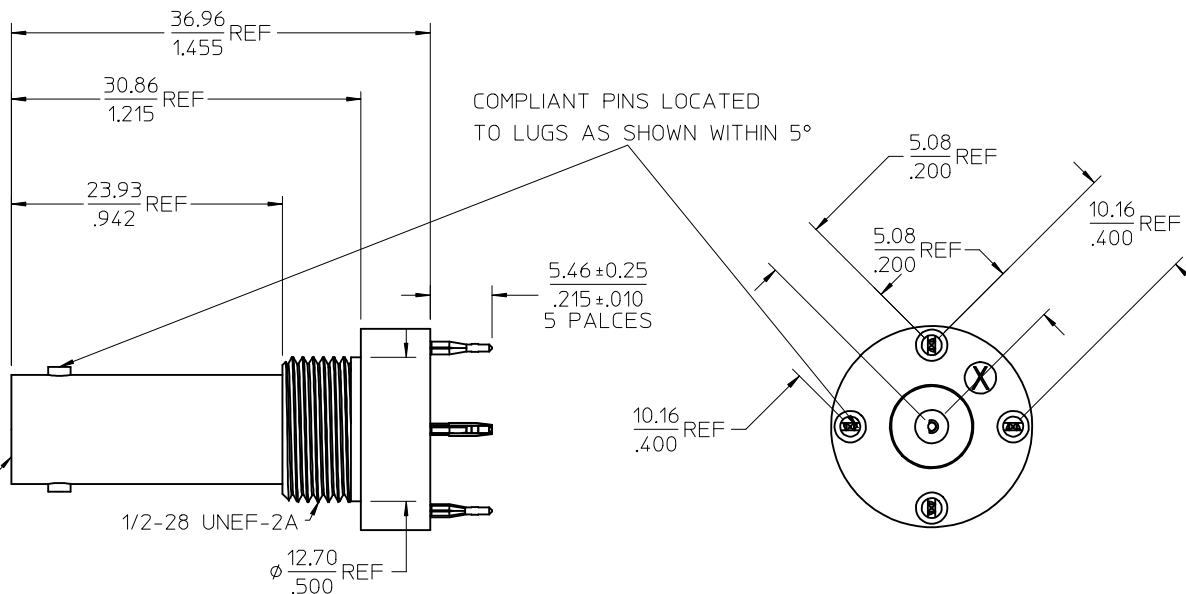
CENTER CONTACT BERYLLIUM COPPER
PLATED GOLD

INSULATOR TEFLON

CONFORMABLE PINS PHOSPHOR BRONZE
PLATED TIN



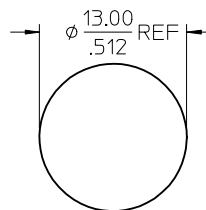
BNC JACK, 75 OHM
INTERFACE



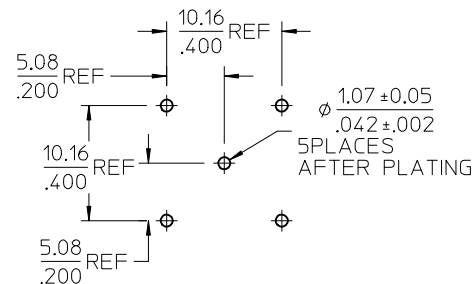
OBSOLETE AFTER 9/01/2017.
LAST BUY DATE 6/1/2017

PART # 73171-2100

RECOMMENDED MOUNTING
HOLE



RECOMMENDED PCB
HOLE PATTERN



RECOMMENDED PCB
HOLE PATTERN

PS-89675-1750	PRODUCT SPECIFICATION
MIL-STD-348A, FIG. 301.2	INTERFACE
SPECIFICATION	DESCRIPTION

CHG: ADD NOTE	EC NO: URF2017-0287 DRAWN: CHENG 2017/01/25 CHKD: APPR: AROBERTSON 2017/01/27	QUALITY SYMBOLS ▽=0 ▽=0	GENERAL TOLERANCES (UNLESS SPECIFIED)		DIMENSION STYLE	SCALE	DESIGN UNITS	THIRD ANGLE PROJECTION			
			mm	INCH	MM/IN	METRIC	DRAWN BY DATE TEF 2003/07/10 CHECKED BY DATE SSS 2003/07/10 APPROVED BY DATE GMH 2003/07/10	TITLE BNC JACK W/CONFORMABLE PINS, 75 OHMS, EWR 2084 BNC-J/PCB	MATERIAL NO. 731712100	DOCUMENT NO. SD-73171-210	SHEET NO. 1 OF 1
DRAFT WHERE APPLICABLE MUST REMAIN WITHIN DIMENSIONS			ANGULAR ± 2°		MOLEX INCORPORATED THIS DRAWING CONTAINS INFORMATION THAT IS PROPRIETARY TO MOLEX INCORPORATED AND SHOULD NOT BE USED WITHOUT WRITTEN PERMISSION						