

Terminations

Short and Open Circuits

Short Circuits for Testing

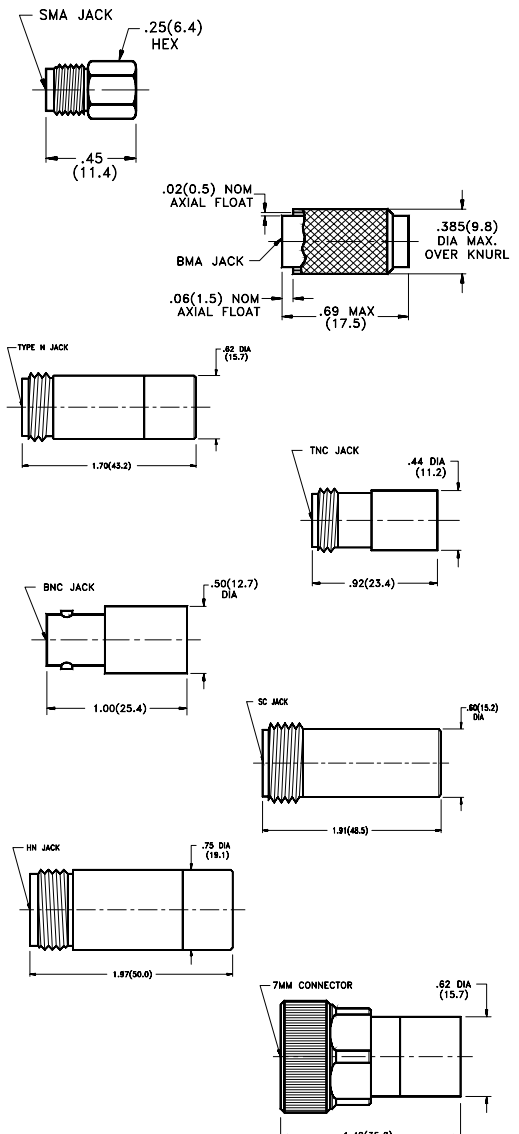
- SMA, 7mm, N, TNC, BNC, and BMA types available
- Convenient for Phase Testing
- Small Size, Light Weight
- Bead Chain available on all Models

Midwest Microwave's series of Short Circuits are conveniently offered in all of the popular male and female connector interfaces. They are particularly useful for performing phase measurement tests. The units are finished in passivated stainless steel except for the BNC type which is nickel plated brass.



Connector Type	Short Circuit Model Numbers	
	Male Plug	Female Jack
SMA	SHT-2172-M0-SMA-02	SHT-2172-F0-SMA-02
BMA*	SHT-2173-F0-BMA-02	SHT-2173-M0-BMA-02
Type N	SHT-2174-M0-NNN-02	SHT-2174-F0-NNN-02
TNC	SHT-2175-M0-TNC-02	SHT-2175-F0-TNC-02
BNC	SHT-2176-M0-BNC-10	SHT-2176-F0-BNC-10
SC	SHT-2177-M0-SC0-02	SHT-2177-F0-SC0-02
HN	SHT-2178-M0-HN0-02	SHT-2178-F0-HN0-02
7mm	SHT-2179-00-7MM-02	

Connector Type	Open Circuit Model Numbers	
	Male Plug	Female Jack
SMA	OPN-2182-M0-SMA-02	OPN-2182-F0-SMA-02
BMA*	OPN-2183-F0-BMA-02	OPN-2183-M0-BMA-02
Type N	OPN-2184-M0-NNN-02	OPN-2184-F0-NNN-02
TNC	OPN-2185-M0-TNC-02	OPN-2185-F0-TNC-02
BNC	OPN-2186-M0-BNC-10	OPN-2186-F0-BNC-10
SC	OPN-2187-M0-SC0-02	OPN-2187-F0-SC0-02
HN	OPN-2188-M0-HN0-02	OPN-2188-F0-HN0-02
7mm	OPN-2189-0X-7MM-02	



- Notes:
1. Jack Models are shown above, Plug Models are shown on the opposite page.
 2. * BMA units are "Female Plug" and "Male Jack".
 3. SC, HN, and BNC Types are rated to 4 GHz only.
 4. Bead Chains are available on all units, to designate substitute a "C" for the "0" following the "M" or the "F" in Model No.