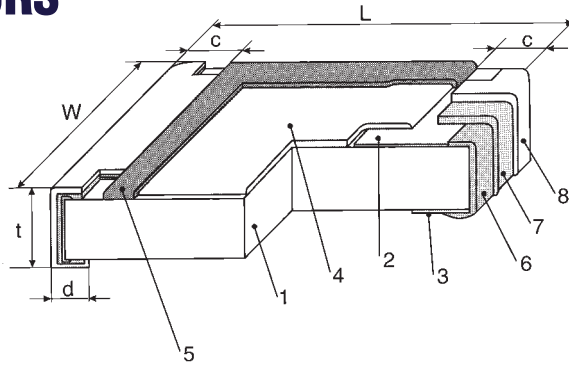


CIRCUIT PROTECTORS

FUSIBLE FLAT CHIP RESISTORS RF73



STRUCTURE

- 1 Ceramic substrate
- 2 Top termination
- 3 Bottom termination
- 4 Fusible resistive film
- 5 Protective layer
- 6 End termination (Ni Cr)
- 7 Diffusion barrier (Ni)
- 8 Solder plating

IDENTIFICATION

PRODUCT CODE	COATING COLOR	MARKING
RF73	Brown	Black, 3 digits

Products with Pb-free terminations meet RoHS requirements

TYPE DESIGNATION (HOW TO ORDER)

Old Part No.	RF73B	2A	J		TD	22R	
New Part No. (Pb-free)	RF73	2A		T	TD	220	J
	PRODUCT CODE	STYLE 1J...3A	TOLERANCE	TERMINATION SURFACE MATERIAL T: Sn L: Sn/b	TAPING* TD, TE, BK	NOMINAL RESISTANCE 3 digits	RESISTANCE TOLERANCE J: ±5%

*Please see "PACKAGING"

FEATURES

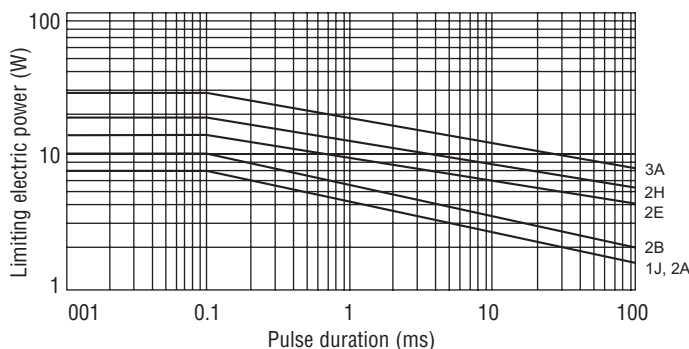
- Small and light with the same configuration as a flat chip resistor (RK73 series)
- Works as a resistor in normal operation
- Fuses quickly and protects circuits when excessive voltage is applied
- Anti-Leaching nickel barrier terminations
- Fusing time: max. 60 sec.
- Recognized by safety standard UL1412 (2A/0805...3A/2512) (1J/0603 is not recognized)
- Meets or exceeds IEC 60115-8, JIS C 5201-8, EIAJ RC-2124
- Rated ambient temperature: +70°C
- Operating temperature range: -55°C ... +125°C
- Suitable for reflow and wave soldering

DIMENSIONS (mm)

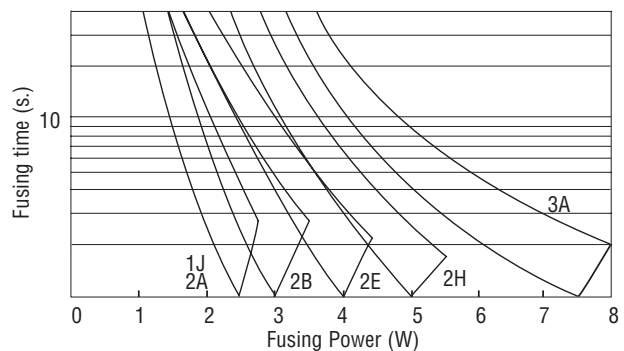
TYPE	L ± 0.2	W	C	d	t ± 0.1
RF73 1J	1.6	0.8 ± 0.1	0.3 ± 0.1	0.3 ± 0.1	0.5
RF73 2A	2.0	1.25 ± 0.1	0.4 ± 0.2	0.3 ^{+0.2} _{-0.1}	
RF73 2B	3.2	1.6 ± 0.2	0.5 ± 0.3	0.4 ^{+0.2} _{-0.1}	0.6
RF73 2E		2.6 ± 0.2			
RF73 2H	5.0	2.5 ± 0.2		0.4 ^{+0.2} _{-0.1}	
RF73 3A	6.3	3.1 ± 0.2		(0.65±0.15)*	

* Time of change to (0.65 ± 0.15) will be announced by PCN.

ONE PULSE LIMITING ELECTRIC POWER



EXAMPLE OF FUSING CHARACTERISTICS



RATING

SIZE	TYPE	POWER RATING*	T.C.R.	RESISTANCE RANGE (E24)	FUSING CHARACTERISTICS (FUSING POWER)				
					1	2	3	4	5
0603	RF73 1J	0.063 W	see below*	1Ω ... 100Ω J(±5%)	—	2.6 W 1 Ω	2.4 W 1.1Ω ... 20Ω	2.1 W 22Ω ... 100Ω	—
0805	RF73 2A	0.1 W	+1000... -500 ppm/K	0.2 Ω	3.0 W 0.2 Ω...0.47 Ω	2.6 W 0.51 Ω...1.0 Ω	2.4 W 1.1 Ω...20 Ω	2.1 W 22 Ω...100 Ω	2.0 W 110 Ω...510 Ω
1206	RF73 2B	0.125 W	(0.2Ω...4.3Ω)		3.75 W 0.2 Ω...0.47 Ω	2.875 W 0.51 Ω...10 Ω	2.5 W 11 Ω...24 Ω	2.0 W 27 Ω...100 Ω	1.75 W 110 Ω...510 Ω
1210	RF73 2E	0.25 W	±500 ppm/K (4.7Ω...510Ω)	...	4.5 W 0.2 Ω...0.47 Ω	4.1 W 0.51 Ω...4.7 Ω	3.5 W 5.1 Ω...27 Ω	3.2 W 30 Ω...100 Ω	3.0 W 110 Ω...510 Ω
2010	RF73 2H	0.5 W		J (±5%)	510 Ω	5.5 W 0.2 Ω...0.47 Ω	5.0 W 0.51 Ω...4.7 Ω	4.0 W 5.1 Ω...27 Ω	3.5 W 30 Ω...100 Ω
2512	RF73 3A	1.0 W			6.5 W 0.2 Ω...0.47 Ω	6.0 W 0.51 Ω...4.7 Ω	5.0 W 5.1 Ω...30 Ω	4.5 W 33 Ω...100 Ω	4.0 W 110 Ω...510 Ω

*T.C.R. +1000 ... -500ppm/K (1Ω ... 3.3Ω), T.C.R. ±500ppm/K (3.6Ω ... 100Ω)

*For resistors operated at an ambient temperature of +70°C or above, the power rating shall be derated.