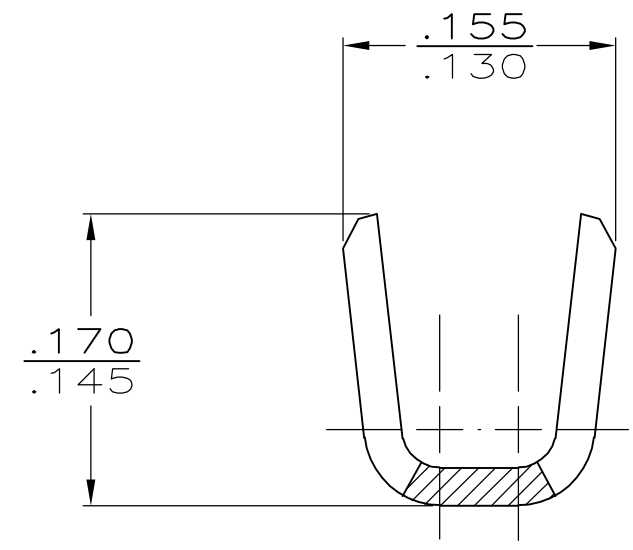
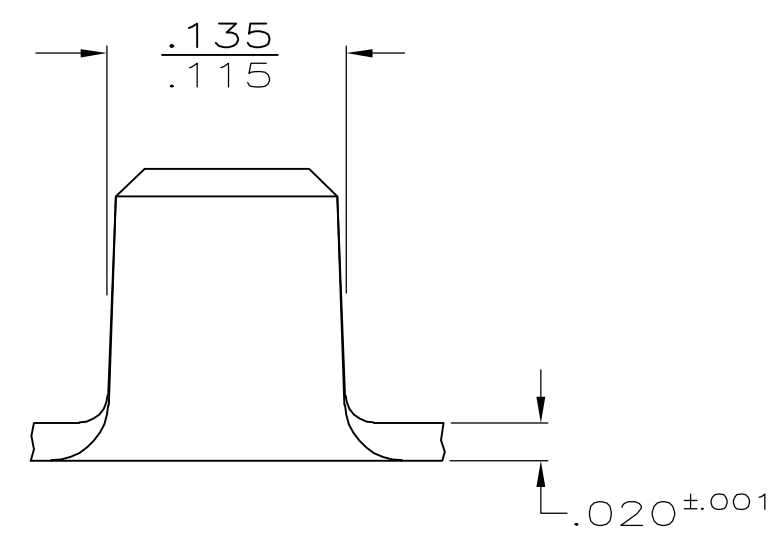
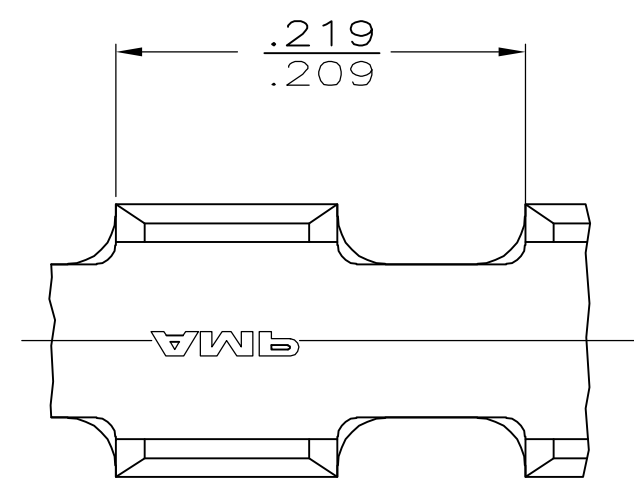


THIS DRAWING IS UNPUBLISHED. RELEASED FOR PUBLICATION  
 © COPYRIGHT BY TYCO ELECTRONICS CORPORATION. ALL RIGHTS RESERVED.

LOC	DIST	REVISIONS			
P	LTR	DESCRIPTION	DATE	DWN	APVD
AF	50	K1	REVISED PER ECR-05-012571	14NOV05	MF GP

- 1 TIN PLATE .000080 MIN THICK.
- 2 WIRE RANGE FOR NEW APPLICATIONS: 2500-4700 CMA  
(WIRE RANGE APPROVED FOR APPLICATIONS IMPLEMENTED PRIOR TO 2005: 2048-4217 CMA).



WIRE SIZE CMA	FINISH	MATERIAL	PART NO.
2	NONE	T2 BRASS	60932-4
	1	T2 STEEL	60932-2

THIS DRAWING IS A CONTROLLED DOCUMENT.		DWN DK SCHRUM 5/18/89	Tyco Electronics Corporation Harrisburg, PA 17105-3608		
DIMENSIONS: INCHES		CHK JR RUTH 7/13/89			
TOLERANCES UNLESS OTHERWISE SPECIFIED:		APVD D SCHWENK 7/13/89	NAME SPLICE		
0 PLC ± - 1 PLC ± - 2 PLC ± - 3 PLC ± .015 4 PLC ± - ANGLES ± -		PRODUCT SPEC -	RESTRICTED TO -		
MATERIAL SEE TABLE		APPLICATION SPEC -	SIZE A3	CAGE CODE 00779	DRAWING NO C-60932
FINISH SEE TABLE		WEIGHT -	SCALE 10:1		SHEET 1 of 1
CUSTOMER DRAWING			REV K1		