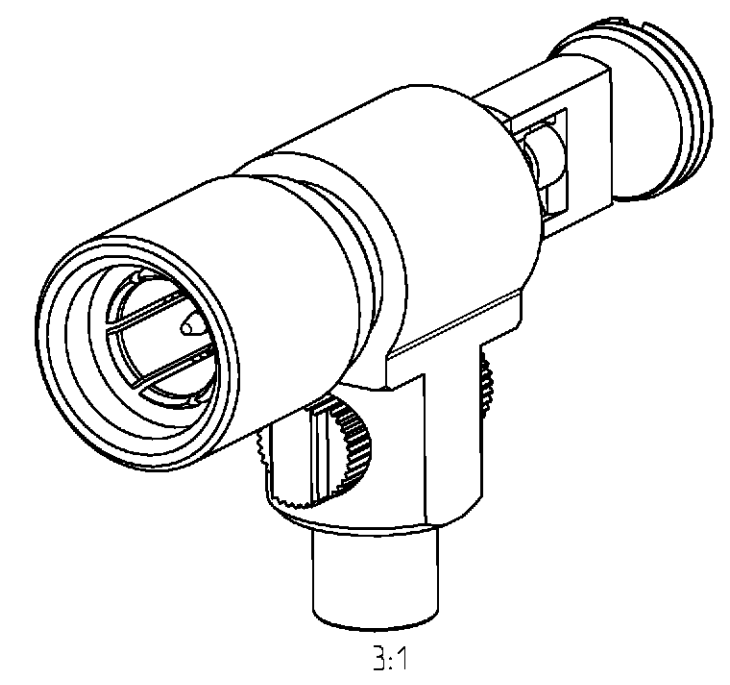
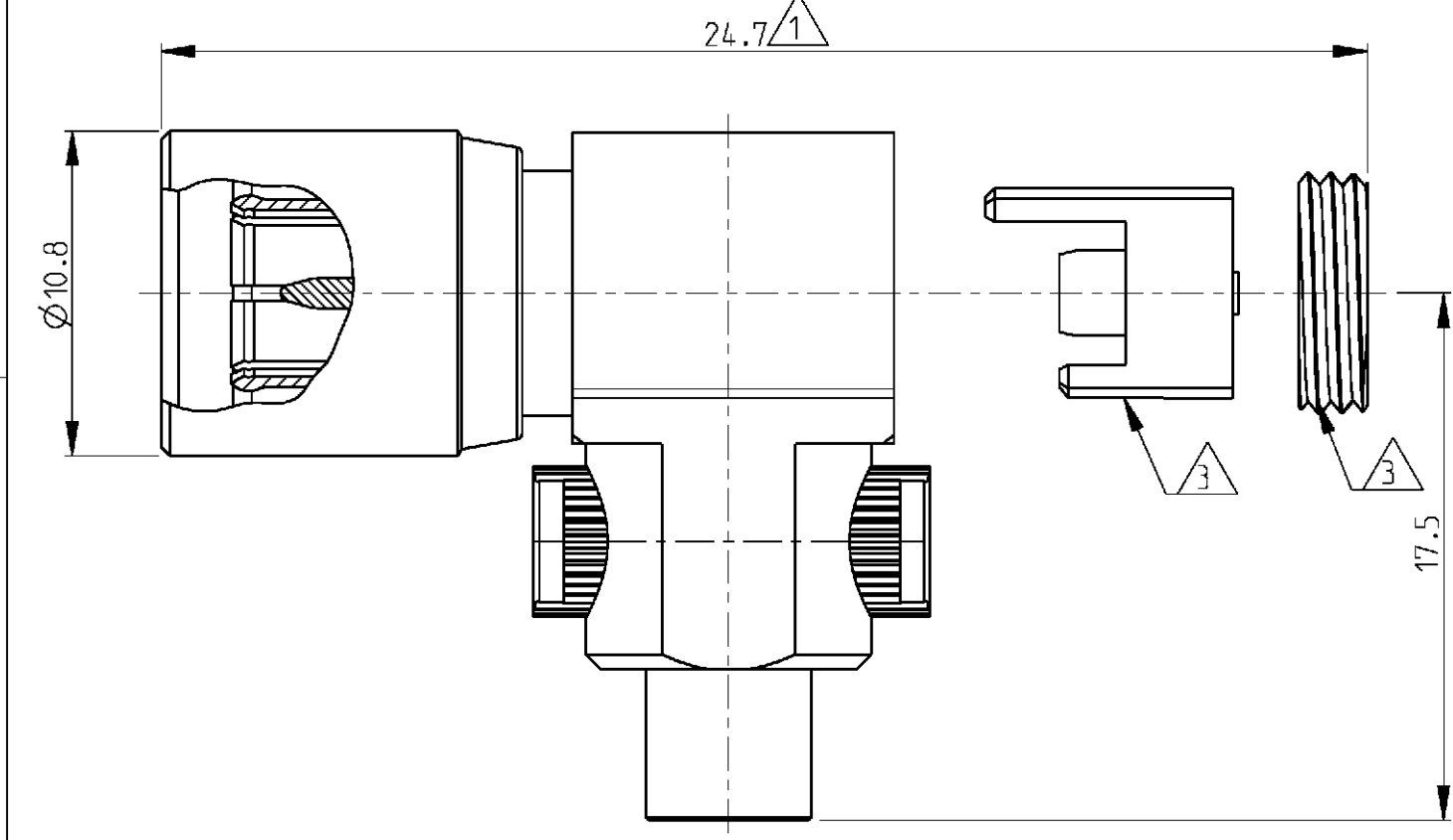


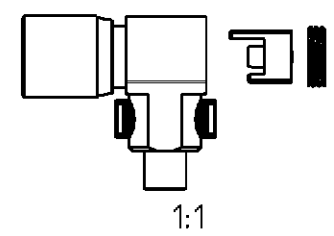
THIS DRAWING IS UNPUBLISHED. RELEASED FOR PUBLICATION 2000
 © COPYRIGHT 2000 BY TYCO ELECTRONICS CORPORATION. ALL RIGHTS RESERVED.

LOC	DIST	REVISIONS				
P	LTR	DESCRIPTION	DATE	DWN	APVD	
GW	-	A	-	05APR2001	BL	KM



Old part number	Tyco part number	Description	Material	Plating	Cable type
V23612-A211-A76A	1-1393757-0	Outer conductor	CuBe	1 µm Au min in contact area	02Y (St) CY 0.45/2.0
△5	△5	Center conductor	CuSn6/CuBe	1 µm Au min in contact area	
		Dielectric	PEEK/PC	-	
V23612-A211-A76	1393757-9	Outer conductor	CuBe	1 µm Au min in contact area	02Y (St) CY 0.45/2.0
		Center conductor	CuSn6/CuBe	1 µm Au min in contact area	
		Dielectric	PEEK/PC	-	
V23612-A211-A42	1393757-8	Outer conductor	CuBe	1 µm Au min in contact area	2YCY 0.4/2.5
		Center conductor	CuSn6/CuBe	1 µm Au min in contact area	
		Dielectric	PEEK/PC	-	

- △5 Packed in tray
- 4) Mating face according to DIN 47295 / CECC 22240.
- △3 Supplied as loose part
- 2) All dimensions are maximum
- △1 Dimension when fully constrained.



<small>THIS DRAWING IS A CONTROLLED DOCUMENT FOR TYCO ELECTRONICS CORPORATION. IT IS SUBJECT TO CHANGE AND THE CONTROLLING ENGINEERING ORGANIZATION SHOULD BE CONTACTED FOR THE LATEST REVISION.</small>		DWN B. Lenvain 27MAR2001 CHK K. Mattheeuws 05APR2001 APVD R. Leeman 05APR2001		tyco Electronics Tyco Electronics Oostkamp - Belgium	
DIMENSIONS: mm 		TOLERANCES UNLESS OTHERWISE SPECIFIED: 0 PLC ± 1 PLC ± 2 PLC ± 3 PLC ± 4 PLC ± ANGLES ±		NAME: Right angled cable plug with IDC CONNECTION 1.6/5.6 75 Ohm	
MATERIAL: - FINISH: -		APPLICATION SPEC: 114-71027 WEIGHT: -		SIZE: A3 CAGE CODE: 00779 DRAWING NO: ©-1393757-8 RESTRICTED TO: -	
CUSTOMER DRAWING				SCALE: 4/1 SHEET: 1 OF 1 REV: A	