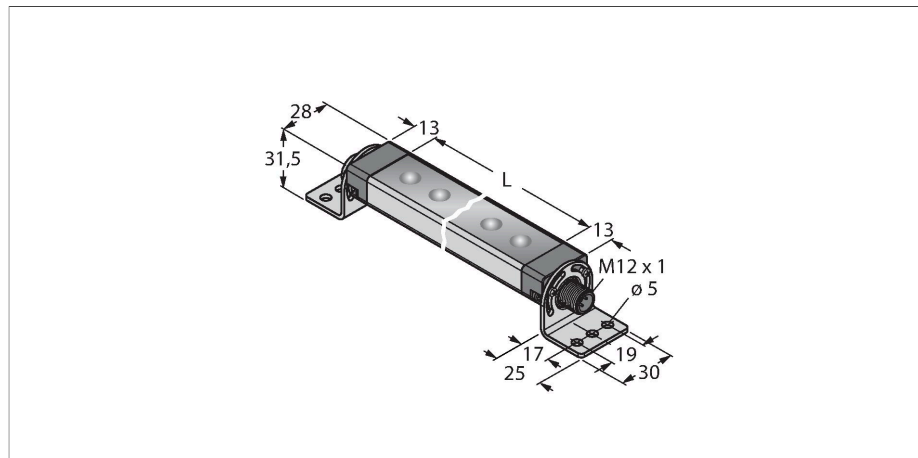


WLS28-2CWGRYB5-0850X24Q

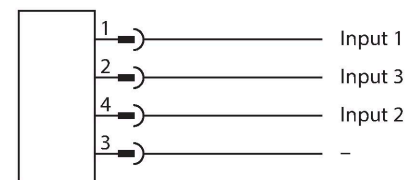
Work Light – Linear Light



Features

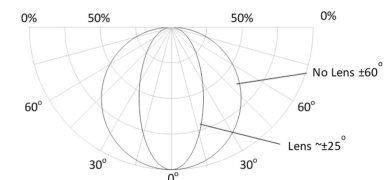
- Cascadable
- Light beam: 850mm
- Operating voltage: 12...30 VDC
- Protection class: IP67 / IP69K
- Colors: White (COL 1), Green (COL 2), Red (COL 3), Yellow (COL 4), Blue (COL 5)
- Automatic temperature monitoring
- SMBWLS28RA mounting bracket included in delivery

Wiring diagram



Technical data

Type	WLS28-2CWGRYB5-0850X24Q
ID	3804665
Signal and display data	
Purpose	LED work light
Function	Linear light
Light type	White Green Red Yellow Blue
Luminous flux lumen	1950 lm
Aperture angle degree	60 °
Beam angle	wide beam 40-80°
LED service life (L70)	50000 h
Dimmable	Two-stage
Features of color 1	White, Permanently on, 1950 lm
Features of color 2	Green, 1200 lm
Features of color 3	Red, 555 lm
Features of color 4	Yellow, 1710 lm
Features of color 5	Blue, 375 lm
Electrical data	
Operating voltage	12...30 VDC
DC rated operational current	≤ 2130 mA
Max. current consumption per color	1200 mA
Input power	25.56 W
Mechanical data	
Cascadable	Yes
Design	Rectangular, WLS28-2



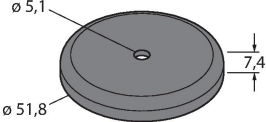
Input 1: Pin 1 Brown Wire	Input 2: Pin 4 Black Wire	Input 3: Pin 2 White Wire	LED Color
—	—	—	Light OFF
+24 V dc	—	—	Color 1 ON
—	+24 V dc	—	Color 2 ON
—	—	+24 V dc	Color 3 ON
+24 V dc	+24 V dc	—	Color 4 ON
+24 V dc	—	+24 V dc	Color 5 ON
—	+24 V dc	+24 V dc	Light OFF
+24 V dc	+24 V dc	+24 V dc	Light OFF

Technical data

Dimensions	899 x 28 x 21 mm
Housing material	Metal, AL
Window material	Polycarbonate, clear
Electrical connection	Connector, M12 × 1, PVC
Number of cores	4
Ambient temperature	-40...+50 °C
Storage temperature	-40...+70 °C
Relative humidity	0...90 %
Protection class	IP50
Tests/approvals	
Approvals	CE, UL

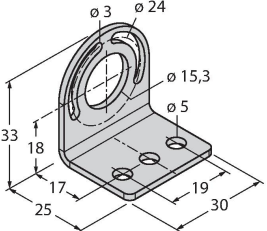
Accessories

SMBWLSMAG 3019574



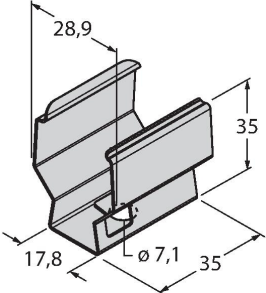
Magnetic mounting bracket for mounting on metallic surfaces, for mounting WLS28 work lights

SMBWLS28RA 3015764



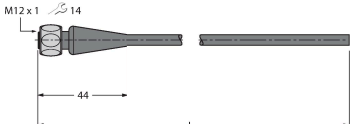
Mounting bracket, angled, metal, for WLS28 work lights, 5 mm drill holes, screw set included

SMBWLS28SP 3088063



Snap bracket for mounting WLS28 work lights

Accessories

Dimension drawing	Type	ID	
	RKH4.5-2/TFG	6933455	Connection cable, M12 female, straight, 5-pin, stainless steel coupling nut, cable length: 2 m, jacket material: TPE, gray, temperature range -40...+105 °C; other cable lengths and designs available, see www.turck.com

Dimension drawing	Type	ID	
	RKC4.4T-2/TEL	6625013	Connection cable, female M12, straight, 4-pin, cable length: 2 m, sheath material: PVC, black; cULus approval; other cable lengths and qualities available, see www.turck.com
	WKC4.4T-2/TEL	6625025	Connection cable, female M12, angled, 4-pin, cable length: 2 m, sheath material: PVC, black; cULus approval; other cable lengths and qualities available, see www.turck.com