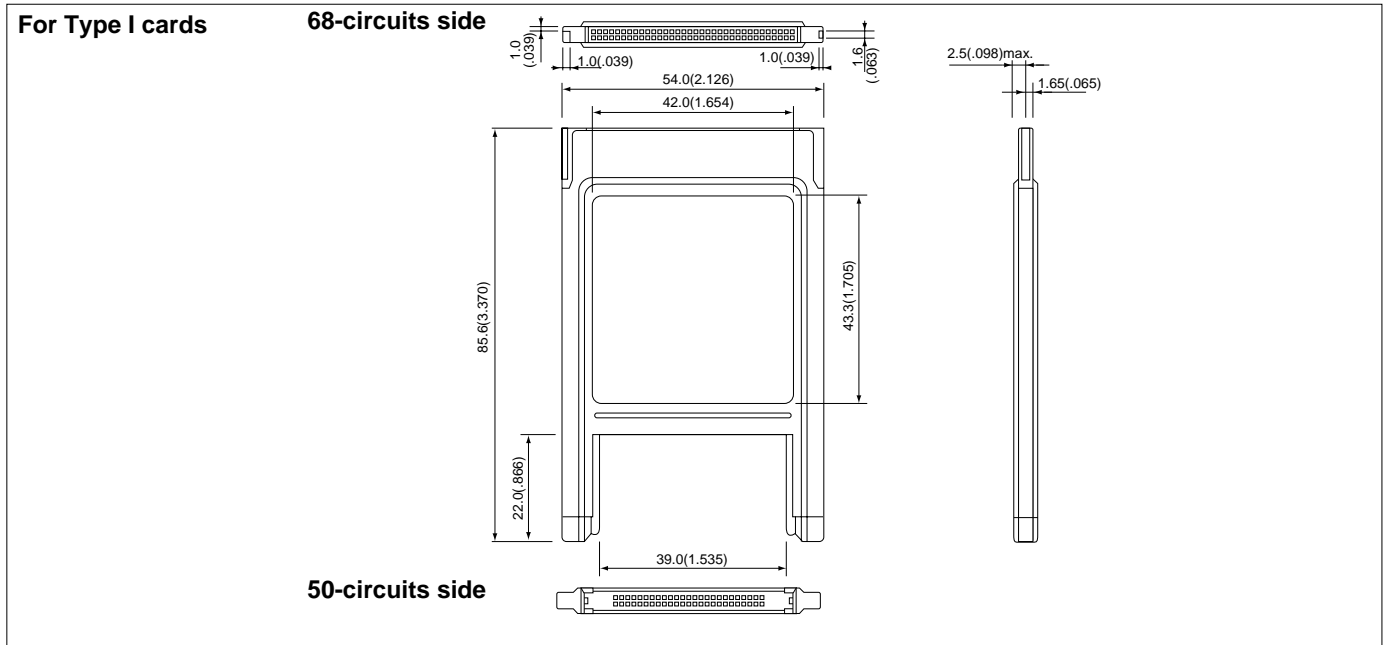
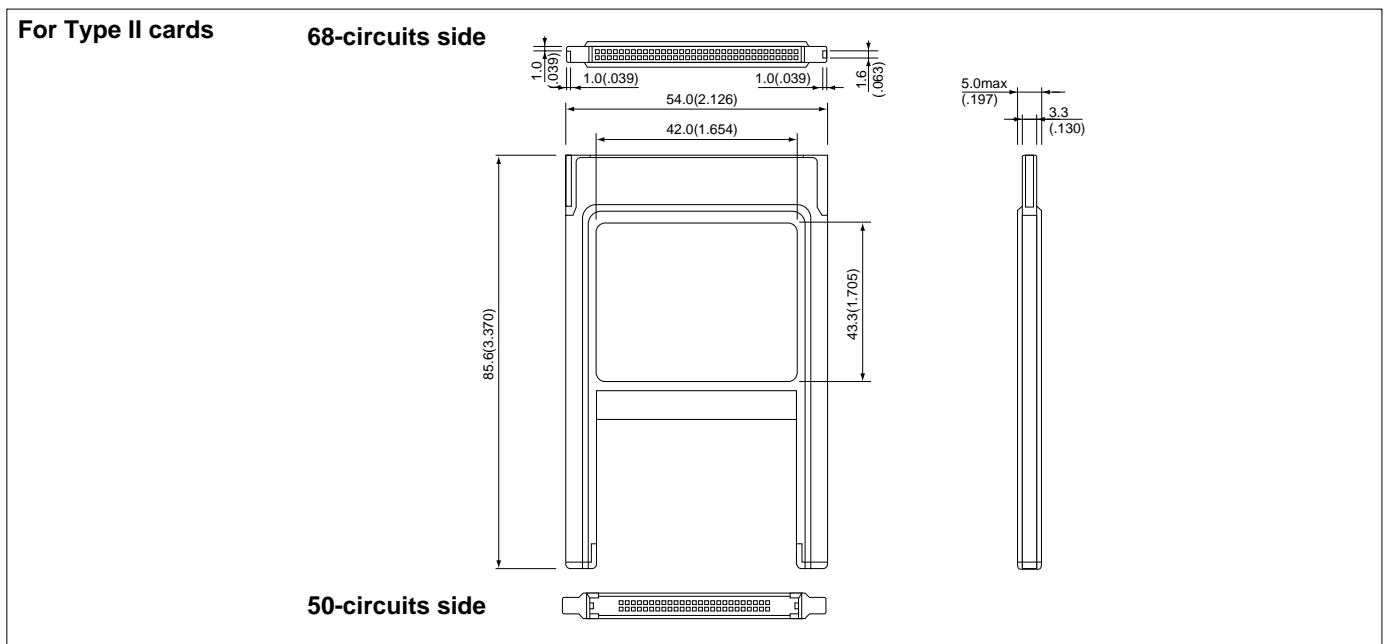


CF CARD CONNECTOR MA TYPE

Adapter card



Model No.	Qty/box	Material and Finish		
ICM-MA50A-C111N	48	50-circuits side Header	Contact: Phosphor bronze, nickel-undercoated, Mating section...Gold-plated Solder tail...Tin/lead-plated Housing: PPS, UL94V-0	Cover:Stainless steel Frame:PBT, UL94V-0 Spring:Stainless steel PC board:Glass-epoxy, UL94V-0
		68-circuits side Socket	Contact: Beryllium copper, nickel-undercoated, Mating section...Gold-plated, Solder tail...Tin/lead-plated Housing: PA6T, UL94V-0	



Model No.	Qty/box	Material and Finish		
ICM-MA2A-C454N	48	50-circuits side Header	Contact: Phosphor bronze, nickel-undercoated, Mating section...Gold-plated Solder tail...Tin/lead-plated Housing: PPS, UL94V-0	Spring : Copper alloy Shutter : Synthetic resin
		68-circuits side Socket	Contact: Beryllium copper, nickel-undercoated, Mating section...Gold-plated, Solder tail...Tin/lead-plated Housing: LCP, UL94V-0 Grounding spring:Phosphor bronze, nickel-undercoated, gold-plated	