

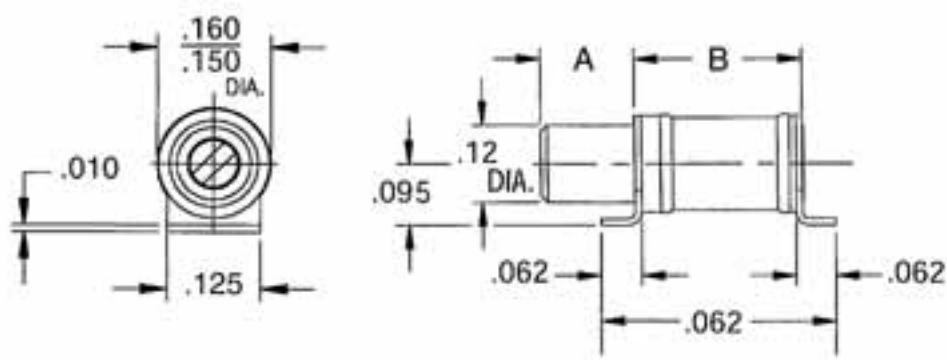
**NMA1 Series  
Non-Magnetic Trimmer Capacitors**



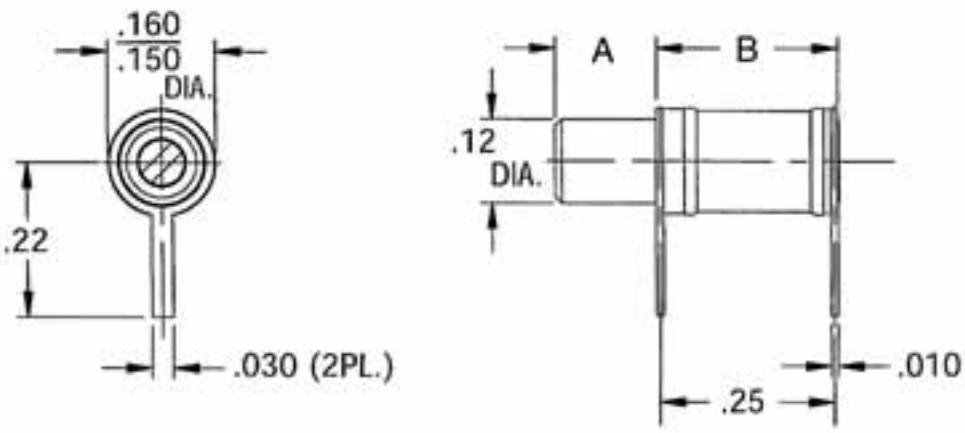
Part Number	Capacitance (pF)		Q (Min) 100 MHz.	DC Working Voltage	DC Withstanding Voltage	Dielectric	Fig.	"A" Dim. ± .016	"B" Dim. ± .016
	From Below	To Above							
NMA1F4HV	0.45	4	4000	1000	2000	PTFE	<a href="#">4</a>	0.39	0.25
NMA1J4HV	0.45	4	4000	1000	2000	PTFE	<a href="#">1</a>	0.14	0.26
NMA1M4HV	0.45	4	4000	1000	2000	PTFE	<a href="#">5</a>	0.4	0.26
NMA1P4HV	0.45	4	4000	1000	2000	PTFE	<a href="#">2</a>	0.14	0.26
NMA1T4HV	0.45	4	4000	1000	2000	PTFE	<a href="#">3</a>	0.15	0.24
NMA1F8HV	0.5	8	3000	500	1000	PTFE	<a href="#">4</a>	0.39	0.25
NMA1J8HV	0.5	8	3000	500	1000	PTFE	<a href="#">1</a>	0.14	0.26
NMA1M8HV	0.5	8	3000	500	1000	PTFE	<a href="#">5</a>	0.4	0.26
NMA1P8HV	0.5	8	3000	500	1000	PTFE	<a href="#">2</a>	0.14	0.26
NMA1T8HV	0.5	8	3000	500	1000	PTFE	<a href="#">3</a>	0.15	0.24
NMA1F12HV	0.6	12	2000	500	1000	PTFE	<a href="#">4</a>	0.5	0.3
NMA1J12HV	0.6	12	2000	500	1000	PTFE	<a href="#">1</a>	0.2	0.3
NMA1M12HV	0.6	12	2000	500	1000	PTFE	<a href="#">5</a>	0.5	0.3
NMA1P12HV	0.6	12	2000	500	1000	PTFE	<a href="#">2</a>	0.2	0.3
NMA1T12HV	0.6	12	2000	500	1000	PTFE	<a href="#">3</a>	0.21	0.29

**NMA1 Series Non-Magnetic Trimmer Capacitors**

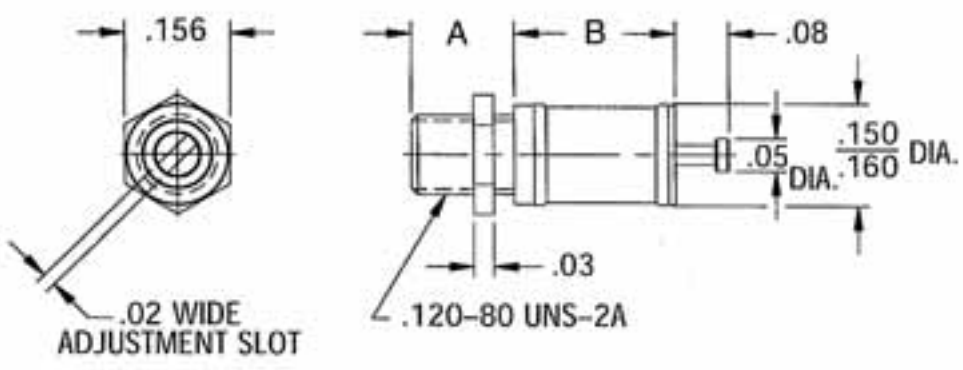
**FIG. 1**



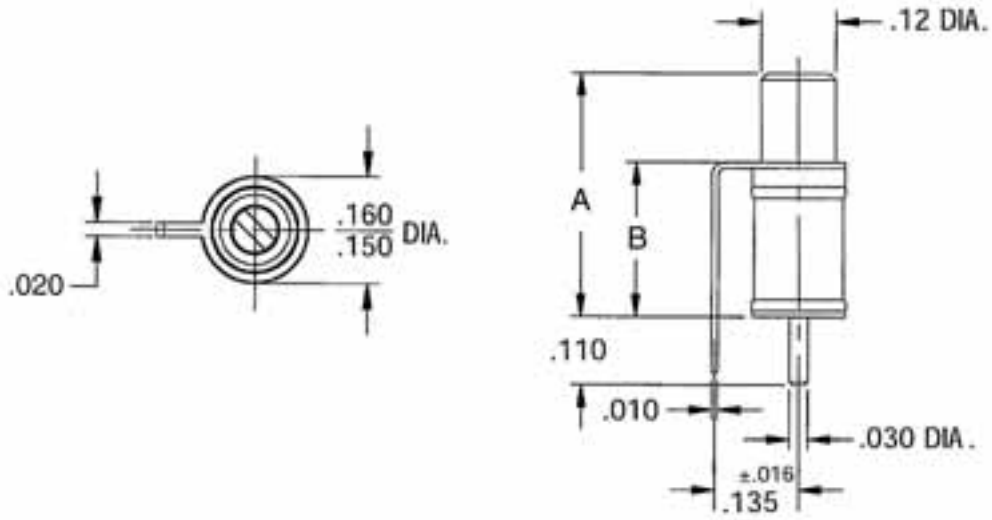
**FIG. 2**



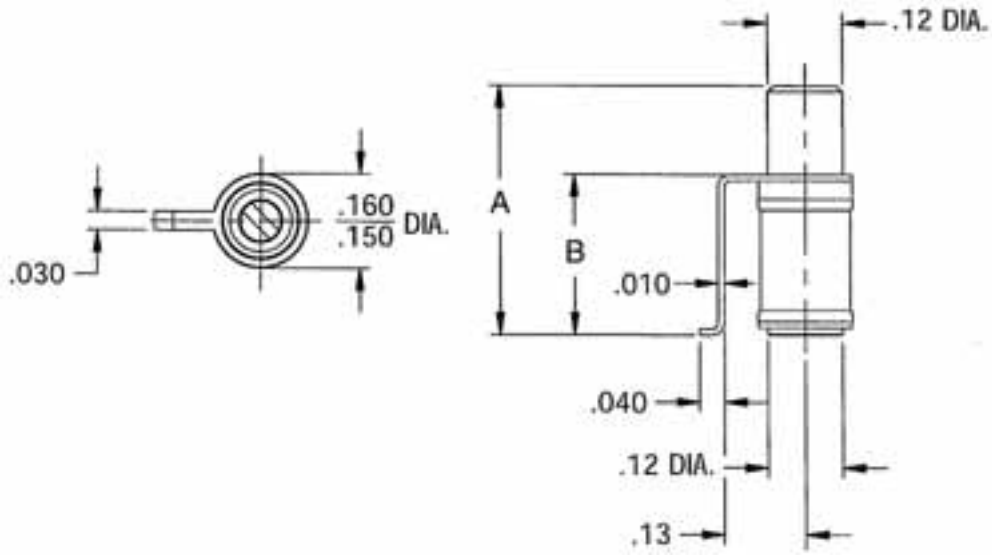
**FIG. 3**



**FIG. 4**



**FIG. 5**



**NO LEAD OPTION**

Add "NL" to end of part number to order part without leads.

**THE "SD" OPTION** - for applications requiring high range but lower voltage and lower cost: All NMA\_HV and NMK\_HV parts may be ordered as standard voltage parts, 250 DC working volts and 500 DC withstanding volts. For this option, replace "HV" suffix with "SD".