

**100328**

*100328 Low Power Octal ECL/TTL Bi-Directional Translator with Latch*



Literature Number: SNOS111

## 100328 Low Power Octal ECL/TTL Bi-Directional Translator with Latch

### General Description

The 100328 is an octal latched bi-directional translator designed to convert TTL logic levels to 100K ECL logic levels and vice versa. The direction of this translation is determined by the DIR input. A LOW on the output enable input (OE) holds the ECL outputs in a cut-off state and the TTL outputs at a high impedance level. A HIGH on the latch enable input (LE) latches the data at both inputs even though only one output is enabled at the time. A LOW on LE makes the 100328 transparent.

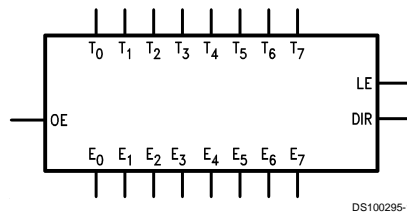
The cut-off state is designed to be more negative than a normal ECL LOW level. This allows the output emitter-followers to turn off when the termination supply is  $-2.0V$ , presenting a high impedance to the data bus. This high impedance reduces termination power and prevents loss of low state noise margin when several loads share the bus.

The 100328 is designed with FAST<sup>®</sup> TTL output buffers, featuring optimal DC drive and capable of quickly charging and discharging highly capacitive loads. All inputs have 50 k $\Omega$  pull-down resistors.

### Features

- Identical performance to the 100128 at 50% of the supply current
- Bi-directional translation
- 2000V ESD protection
- Latched outputs
- FAST TTL outputs
- TRI-STATE<sup>®</sup> outputs
- Voltage compensated operating range =  $-4.2V$  to  $-5.7V$
- Available to MIL-STD-883

### Logic Symbol



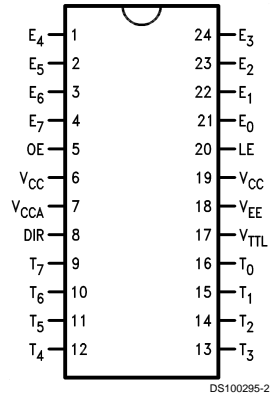
| Pin Names                      | Description             |
|--------------------------------|-------------------------|
| E <sub>0</sub> -E <sub>7</sub> | ECL Data I/O            |
| T <sub>0</sub> -T <sub>7</sub> | TTL Data I/O            |
| OE                             | Output Enable Input     |
| LE                             | Latch Enable Input      |
| DIR                            | Direction Control Input |

All pins function at 100K ECL levels except for T<sub>0</sub>-T<sub>7</sub>.

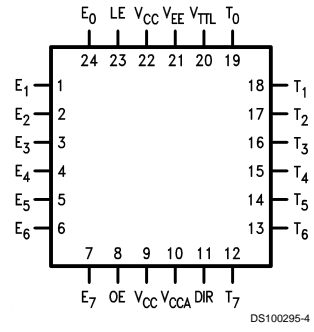
TRI-STATE<sup>®</sup> is a registered trademark of National Semiconductor Corporation.  
FAST<sup>®</sup> is a registered trademark of Fairchild Semiconductor.

## Connection Diagrams

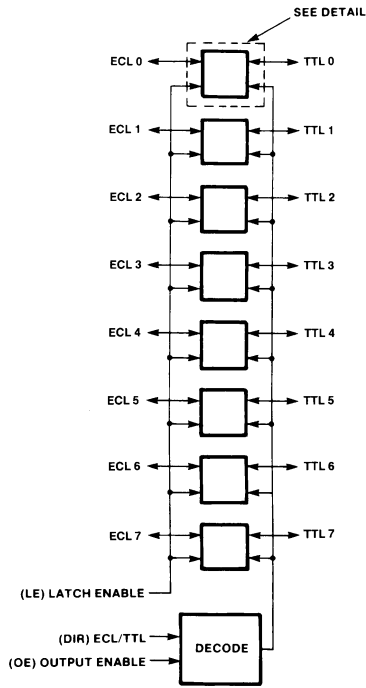
24-Pin DIP



24-Pin Quad Cerpak



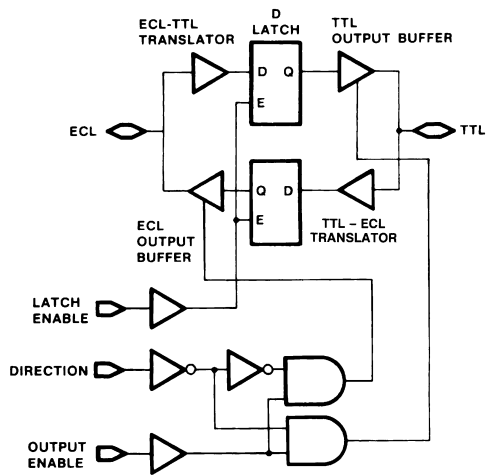
## Functional Diagram



DS100295-5

Note: LE, DIR, and OE use ECL logic levels

## Detail



DS100295-6

## Truth Table

| OE | DIR | LE | ECL Port      | TTL Port | Notes        |
|----|-----|----|---------------|----------|--------------|
| L  | X   | L  | LOW (Cut-Off) | Z        |              |
| L  | L   | H  | Input         | Z        | (Notes 1, 3) |
| L  | H   | H  | LOW (Cut-Off) | Input    | (Notes 2, 3) |
| H  | L   | L  | L             | L        | (Notes 1, 4) |
| H  | L   | L  | H             | H        | (Notes 1, 4) |
| H  | L   | H  | X             | Latched  | (Notes 1, 3) |
| H  | H   | L  | L             | L        | (Notes 2, 4) |
| H  | H   | L  | H             | H        | (Notes 2, 4) |
| H  | H   | H  | Latched       | X        | (Notes 2, 4) |

H = HIGH Voltage Level  
 L = LOW Voltage Level  
 X = Don't Care  
 Z = High Impedance

Note 1: ECL input to TTL output mode.

Note 2: TTL input to ECL output mode.

Note 3: Retains data present before LE set HIGH.

Note 4: Latch is transparent.

### Absolute Maximum Ratings (Note 5)

If Military/Aerospace specified devices are required, please contact the National Semiconductor Sales Office/Distributors for availability and specifications.

|  |                   |
|--|-------------------|
| Storage Temperature ( $T_{STG}$ )      | -65°C to +150°C   |
| Maximum Junction Temperature ( $T_J$ ) |                   |
| Ceramic                                | +175°C            |
| $V_{EE}$ Pin Potential to Ground Pin   | -7.0V to +0.5V    |
| $V_{TTL}$ Pin Potential to Ground Pin  | -0.5V to +6.0V    |
| ECL Input Voltage (DC)                 | $V_{EE}$ to +0.5V |
| ECL Output Current (DC Output HIGH)    | -50 mA            |
| TTL Input Voltage (Note 7)             | -0.5V to +6.0V    |
| TTL Input Current (Note 7)             | -30 mA to +5.0 mA |

|   |                               |
|---|-------------------------------|
| Voltage Applied to Output in HIGH State |                               |
| TRI-STATE Output                        | -0.5V to +5.5V                |
| Current Applied to TTL                  |                               |
| Output in LOW State (Max)               | Twice the Rated $I_{OL}$ (mA) |
| ESD (Note 6)                            | $\geq 2000V$                  |

### Recommended Operating Conditions

|                                  |                 |
|----------------------------------|-----------------|
| Case Temperature ( $T_C$ )       |                 |
| Military                         | -55°C to +125°C |
| ECL Supply Voltage ( $V_{EE}$ )  | -5.7V to -4.2V  |
| TTL Supply Voltage ( $V_{TTL}$ ) | +4.5V to +5.5V  |

**Note 5:** Absolute maximum ratings are those values beyond which the device may be damaged or have its useful life impaired. Functional operation under these conditions is not implied.

**Note 6:** ESD testing conforms to MIL-STD-883, Method 3015.

**Note 7:** Either voltage limit or current limit is sufficient to protect inputs.

### Military Version TTL-to-ECL DC Electrical Characteristics

$V_{EE} = -4.2V$  to  $-5.7V$ ,  $V_{CC} = V_{CCA} = GND$ ,  $T_C = -55^\circ C$  to  $+125^\circ C$ ,  $V_{TTL} = +4.5V$  to  $+5.5V$

| Symbol    | Parameter                 | Min   | Max   | Units | $T_C$           | Conditions   | Notes   |
|-----------|---------------------------|-------|-------|-------|-----------------|--|---|
| $V_{OH}$  | Output HIGH Voltage       | -1025 | -870  | mV    | 0°C to +125°C   | $V_{IN} = V_{IH}$ (Max) or $V_{IL}$ (Min)  | Loading with 50Ω to -2.0V<br>(Notes 8, 9, 10) |
|           |                           | -1085 | -870  | mV    | -55°C           |  |   |
| $V_{OL}$  | Output LOW Voltage        | -1830 | -1620 | mV    | 0°C to +125°C   |  |   |
|           |                           | -1830 | -1555 | mV    | -55°C           |  |   |
|           | Cutoff Voltage            |       | -1950 | mV    | 0°C to +125°C   | OE or DIR Low  |   |
|           |                           |       | -1850 | mV    | -55°C           |  |   |
| $V_{OHC}$ | Output HIGH Voltage       | -1035 |       | mV    | 0°C to +125°C   | $V_{IN} = V_{IH}$ (Min) or $V_{IL}$ (Max)  | Loading with 50Ω to -2.0V<br>(Notes 8, 9, 10) |
|           |                           | -1085 |       | mV    | -55°C           |  |   |
| $V_{OLC}$ | Output LOW Voltage        |       | -1610 | mV    | 0°C to +125°C   |  |   |
|           |                           |       | -1555 | mV    | -55°C           |  |   |
| $V_{IH}$  | Input HIGH Voltage        | 2.0   |       | V     | -55°C to +125°C | Over $V_{TTL}$ , $V_{EE}$ , $T_C$ Range  | (Notes 8, 9, 10, 11)                          |
| $V_{IL}$  | Input LOW Voltage         |       | 0.8   | V     | -55°C to +125°C | Over $V_{TTL}$ , $V_{EE}$ , $T_C$ Range  | (Notes 8, 9, 10, 11)                          |
| $I_{IH}$  | Input HIGH Current        |       | 70    | μA    | -55°C to 125°C  | $V_{IN} = +2.7V$   | (Notes 8, 9, 10)                              |
|           | Breakdown Test            |       | 1.0   | mA    | -55°C to +125°C | $V_{IN} = +5.5V$   |   |
| $I_{IL}$  | Input LOW Current         | -1.0  |       | mA    | -55°C to +125°C | $V_{IN} = +0.5V$   | (Notes 8, 9, 10)                              |
| $V_{FCD}$ | Input Clamp Diode Voltage | -1.2  |       | V     | -55°C to +125°C | $I_{IN} = -18$ mA  | (Notes 8, 9, 10)                              |
| $I_{EE}$  | $V_{EE}$ Supply Current   |       |       | mA    | -55°C to +125°C | LE Low, OE and DIR High<br>Inputs Open<br>$V_{EE} = -4.2V$ to $-4.8V$<br>$V_{EE} = -4.2V$ to $-5.7V$ | (Notes 8, 9, 10)                              |

### Military Version ECL-to-TTL DC Electrical Characteristics

$V_{EE} = -4.2V$  to  $-5.7V$ ,  $V_{CC} = V_{CCA} = GND$ ,  $T_C = -55^\circ C$  to  $+125^\circ C$ ,  $C_L = 50$  pF,  $V_{TTL} = +4.5V$  to  $+5.5V$

| Symbol     | Parameter                        | Min        | Max            | Units          | $T_C$  | Conditions  | Notes                |
|------------|----------------------------------|------------|----------------|----------------|--|---|----------------------|
| $V_{OH}$   | Output HIGH Voltage              | 2.5<br>2.4 |                | mV             | $0^\circ C$ to $+125^\circ C$<br>$-55^\circ C$ | $I_{OH} = -1$ mA, $V_{TTL} = 4.50V$                           | (Notes 8, 9, 10)     |
| $V_{OL}$   | Output LOW Voltage               |            | 0.5            | mV             | $-55^\circ C$<br>$+125^\circ C$                | $I_{OL} = 24$ mA, $V_{TTL} = 4.50V$                           |                      |
| $V_{IH}$   | Input HIGH Voltage               | -1165      | -870           | mV             | $-55^\circ C$<br>$+125^\circ C$                | Guaranteed HIGH Signal<br>for All Inputs                      | (Notes 8, 9, 10, 11) |
| $V_{IL}$   | Input LOW Voltage                | -1830      | -1475          | mV             | $-55^\circ C$ to<br>$+125^\circ C$             | Guaranteed LOW Signal<br>for All Inputs                       | (Notes 8, 9, 10, 11) |
| $I_{IH}$   | Input HIGH Current               |            | 350<br>500     | $\mu A$        | $0^\circ C$ to<br>$+125^\circ C$               | $V_{EE} = -5.7V$<br>$V_{IN} = V_{IH}$ (Max)                   | (Notes 8, 9, 10)     |
| $I_{IL}$   | Input LOW Current                | 0.50       |                | $\mu A$        | $-55^\circ C$ to<br>$+125^\circ C$             | $V_{EE} = -4.2V$<br>$V_{IN} = V_{IL}$ (Min)                   | (Notes 8, 9, 10)     |
| $I_{OZHT}$ | TRI-STATE Current<br>Output High |            | 70             | $\mu A$        | $-55^\circ C$ to<br>$+125^\circ C$             | $V_{OUT} = +2.7V$   | (Notes 8, 9, 10)     |
| $I_{OZLT}$ | TRI-STATE Current<br>Output Low  | -1.0       |                | mA             | $-55^\circ C$ to<br>$+125^\circ C$             | $V_{OUT} = +0.5V$   | (Notes 8, 9, 10)     |
| $I_{OS}$   | Output Short-Circuit<br>CURRENT  | -150       | -60            | mA             | $-55^\circ C$ to<br>$+125^\circ C$             | $V_{OUT} = 0.0V$ , $V_{TTL} = +5.5V$                          | (Notes 8, 9, 10)     |
| $I_{TTL}$  | $V_{TTL}$ Supply Current         |            | 75<br>50<br>70 | mA<br>mA<br>mA | $-55^\circ C$ to<br>$+125^\circ C$             | TTL Outputs Low<br>TTL Output High<br>TTL Output in TRI-STATE | (Notes 8, 9, 10)     |

**Note 8:** F100K 300 Series cold temperature testing is performed by temperature soaking (to guarantee junction temperature equals  $-55^\circ C$ ), then testing immediately without allowing for the junction temperature to stabilize due to heat dissipation after power-up. This provides "cold start" specs which can be considered a worst case condition at cold temperatures.

**Note 9:** Screen tested 100% on each device at  $-55^\circ C$ ,  $+25^\circ C$ , and  $+125^\circ C$ , Subgroups, 1, 2, 3, 7, and 8.

**Note 10:** Sample tested (Method 5005, Table I) on each manufactured lot at  $-55^\circ C$ ,  $+25^\circ C$ , and  $+125^\circ C$ , Subgroups A1, 2, 3, 7, and 8.

**Note 11:** Guaranteed by applying specified input condition and testing  $V_{OH}/V_{OL}$ .

### Military Version TTL-to-ECL AC Electrical Characteristics

$V_{EE} = -4.2V$  to  $-5.7V$ ,  $V_{TTL} = +4.5V$  to  $+5.5V$ ,  $V_{CC} = V_{CCA} = GND$

| Symbol      | Parameter                                 | $T_C = -55^\circ C$ |     | $T_C = 25^\circ C$ |     | $T_C = +125^\circ C$ |     | Units | Conditions   | Notes                 |
|-------------|---|---------------------|-----|--------------------|-----|----------------------|-----|-------|--------------|-----------------------|
|             |   | Min                 | Max | Min                | Max | Min                  | Max |       |              |                       |
| $t_{PLH}$   | $T_n$ to $E_n$<br>(Transparent)           | 0.8                 | 3.4 | 1.1                | 3.6 | 0.8                  | 3.7 | ns    | Figures 1, 2 | (Notes 12,<br>13, 14) |
| $t_{PHL}$   |   |                     |     |                    |     |                      |     | ns    |              |                       |
| $t_{PLH}$   | $LE$ to $E_n$                             | 1.2                 | 3.8 | 1.4                | 3.7 | 1.1                  | 3.8 | ns    | Figures 1, 2 |                       |
| $t_{PHL}$   |   |                     |     |                    |     |                      |     | ns    |              |                       |
| $t_{PZH}$   | $OE$ to $E_n$<br>(Cutoff to HIGH)         | 0.8                 | 3.6 | 1.5                | 4.0 | 2.0                  | 5.2 | ns    | Figures 1, 2 | (Notes 12,<br>13, 14) |
| $t_{PHZ}$   | $OE$ to $E_n$<br>(HIGH to Cutoff)         | 1.5                 | 4.6 | 1.6                | 4.2 | 1.6                  | 4.3 | ns    | Figures 1, 2 |                       |
| $t_{PHZ}$   | $DIR$ to $E_n$<br>(HIGH to Cutoff)        | 1.6                 | 4.7 | 1.6                | 4.3 | 1.7                  | 4.3 | ns    | Figures 1, 2 |                       |
| $t_{set}$   | $T_n$ to $LE$                             | 2.5                 |     | 2.0                |     | 2.5                  |     | ns    | Figures 1, 2 | (Note 15)             |
| $t_{hold}$  | $T_n$ to $LE$                             | 2.5                 |     | 2.0                |     | 2.5                  |     | ns    | Figures 1, 2 |                       |
| $t_{pw(H)}$ | Pulse Width $LE$                          | 2.5                 |     | 2.0                |     | 2.5                  |     | ns    | Figures 1, 2 | (Note 15)             |
| $t_{TLH}$   | Transition Time<br>20% to 80%, 80% to 20% | 0.4                 | 2.3 | 0.5                | 2.1 | 0.4                  | 2.4 | ns    | Figures 1, 2 | (Note 15)             |
| $t_{THL}$   |   |                     |     |                    |     |                      |     |       |              |                       |

**Military Version  
ECL-to-TTL AC Electrical Characteristics**

$V_{EE} = -4.2V$  to  $-5.7V$ ,  $V_{TTL} = +4.5V$  to  $+5.5V$ ,  $V_{CC} = V_{CCA} = GND$ ,  $C_L = 50$  pF

| Symbol                 | Parameter                       | $T_C = -55^\circ C$ |     | $T_C = 25^\circ C$ |     | $T_C = +125^\circ C$ |     | Units | Conditions   | Notes              |
|------------------------|---------------------------------|---------------------|-----|--------------------|-----|----------------------|-----|-------|--------------|--------------------|
|                        |                                 | Min                 | Max | Min                | Max | Min                  | Max |       |              |                    |
| $t_{PLH}$<br>$t_{PHL}$ | $E_n$ to $T_n$<br>(Transparent) | 2.1                 | 6.0 | 2.0                | 5.6 | 2.2                  | 6.3 | ns    | Figures 1, 2 | (Notes 12, 13, 14) |
| $t_{PLH}$<br>$t_{PHL}$ | LE to $T_n$                     | 3.1                 | 7.0 | 3.1                | 6.5 | 3.3                  | 7.5 | ns    | Figures 3, 4 |                    |
| $t_{PZH}$<br>$t_{PZL}$ | OE to $T_n$<br>(Enable Time)    | 3.2                 | 8.0 | 3.7                | 8.0 | 4.0                  | 9.2 | ns    | Figures 3, 4 | (Notes 12, 13, 14) |
| $t_{PHZ}$<br>$t_{PLZ}$ | OE to $T_n$<br>(Disable Time)   | 3.2                 | 8.5 | 3.3                | 8.0 | 3.5                  | 8.4 | ns    | Figures 3, 5 |                    |
| $t_{PHZ}$<br>$t_{PLZ}$ | DIR to $T_n$<br>(Disable Time)  | 2.6                 | 7.0 | 2.6                | 7.0 | 2.9                  | 8.0 | ns    | Figures 3, 6 |                    |
| $t_{set}$              | $E_n$ to LE                     | 2.5                 |     | 2.0                |     | 2.5                  |     | ns    | Figures 3, 4 | (Note 15)          |
| $t_{hold}$             | $E_n$ to LE                     | 3.0                 |     | 2.5                |     | 3.0                  |     | ns    | Figures 3, 4 |                    |
| $t_{pw(H)}$            | Pulse Width LE                  | 2.5                 |     | 2.0                |     | 5.0                  |     | ns    | Figures 3, 4 | (Note 15)          |

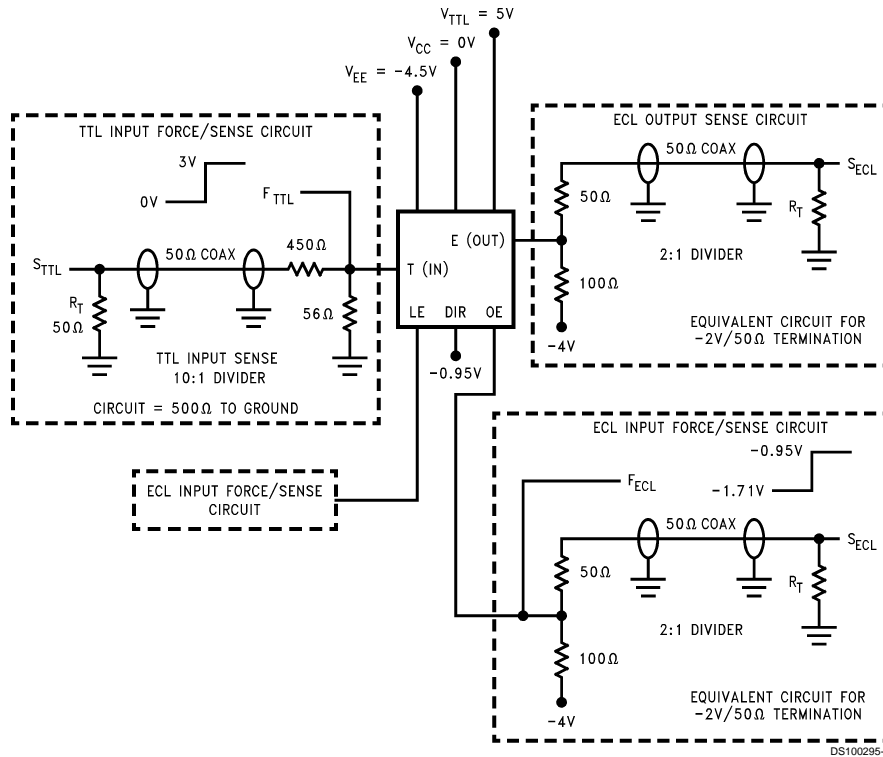
**Note 12:** F100K 300 Series cold temperature testing is performed by temperature soaking (to guarantee junction temperature equals  $-55^\circ C$ ), then testing immediately after power-up. This provides "cold start" specs which can be considered a worst case condition at cold temperatures.

**Note 13:** Screen tested 100% on each device at  $+25^\circ C$ , temperature only, Subgroup A9.

**Note 14:** Sample tested (Method 5005, Table I) on each mfg. lot at  $+25^\circ C$ , Subgroup A9, and at  $+125^\circ C$  and  $-55^\circ C$  temperatures, Subgroups A10 and A11.

**Note 15:** Not tested at  $+25^\circ C$ ,  $+125^\circ C$  and  $-55^\circ C$  temperature (design characterization data).

## Test Circuitry (TTL-to-ECL)



**Note 16:**  $R_T = 50\Omega$  termination. When an input or output is being monitored by a scope,  $R_T$  is supplied by the scope's  $50\Omega$  resistance. When an input or output is not being monitored, an external  $50\Omega$  resistance must be applied to serve as  $R_T$ .

**Note 17:** TTL and ECL force signals are brought to the DUT via  $50\Omega$  coax lines.

**Note 18:**  $V_{TTL}$  is decoupled to ground with  $0.1\ \mu\text{F}$  to ground,  $V_{EE}$  is decoupled to ground with  $0.01\ \mu\text{F}$  and  $V_{CC}$  is connected to ground.

**Note 19:** For ECL input pins, the equivalent force/sense circuitry is optional.

FIGURE 1. TTL-to-ECL AC Test Circuit

## Switching Waveforms (TTL-to-ECL)

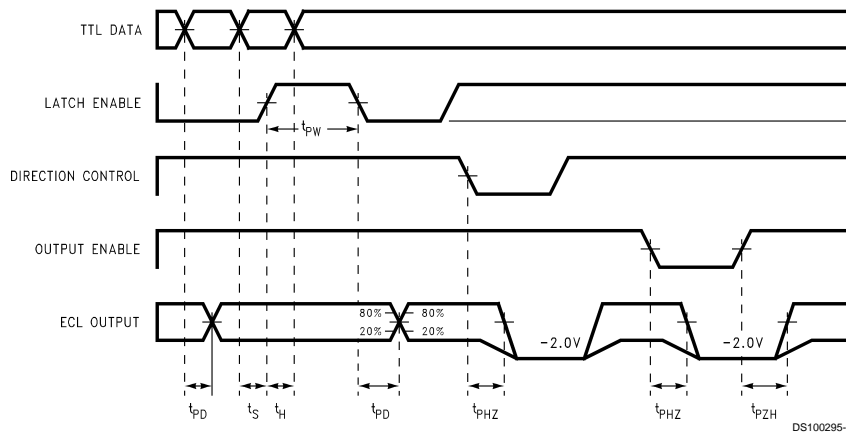
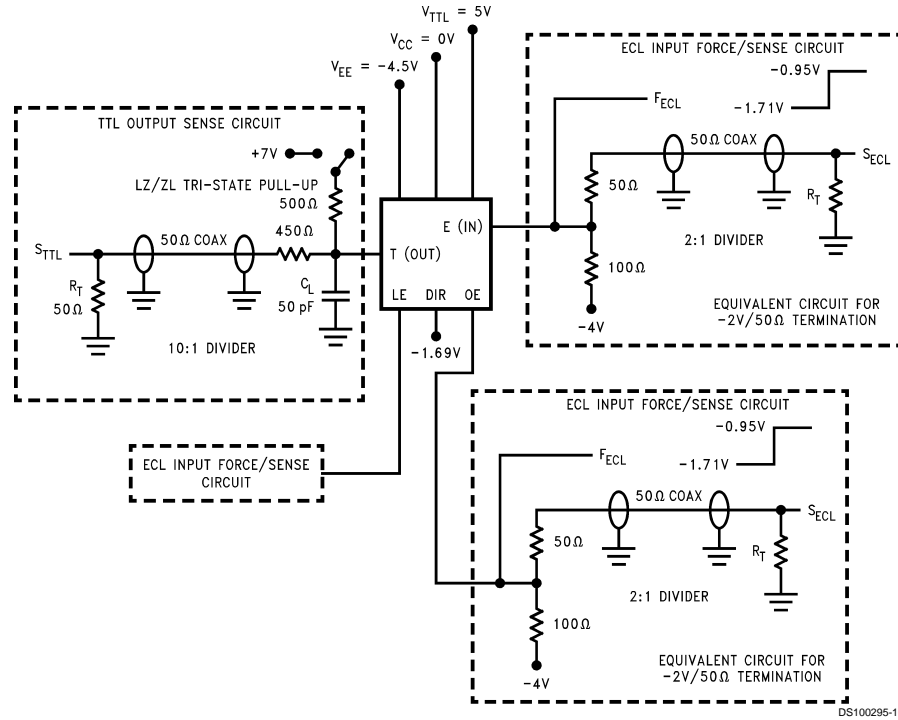


FIGURE 2. TTL to ECL Transition—Propagation Delay and Transition Times



## Test Circuitry (ECL-to-TTL)



DS100295-10

**Note 20:**  $R_t = 50\Omega$  termination. When an input or output is being monitored by a scope,  $R_t$  is supplied by the scope's  $50\Omega$  resistance. When an input or output is not being monitored, an external  $50\Omega$  resistance must be applied to serve as  $R_t$ .

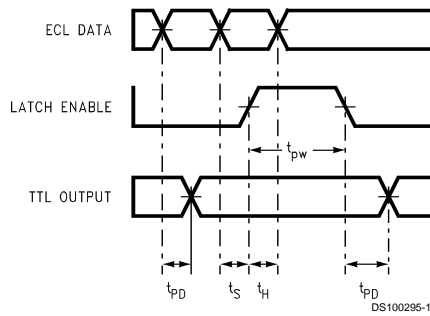
**Note 21:** The TTL TRI-STATE pull up switch is connected to +7V only for ZL and LZ tests.

**Note 22:** TTL and ECL force signals are brought to the DUT via  $50\Omega$  coax lines.

**Note 23:**  $V_{TTL}$  is decoupled to ground with  $0.1\ \mu\text{F}$ ,  $V_{EE}$  is decoupled to ground with  $0.01\ \mu\text{F}$  and  $V_{CC}$  is connected to ground.

FIGURE 3. ECL-to-TTL AC Test Circuit

## Switching Waveforms (ECL-to-TTL)

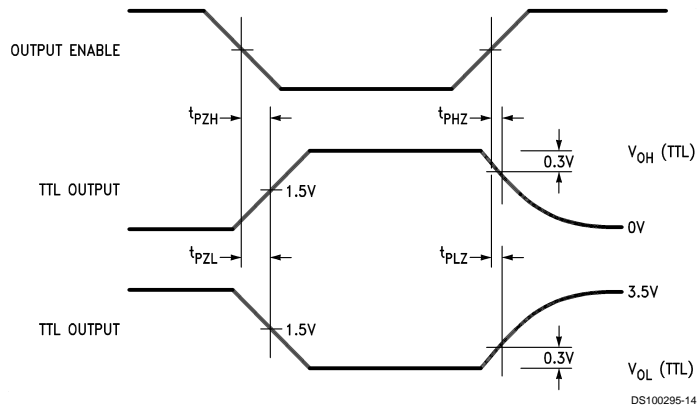


DS100295-11

**Note 24:** DIR is LOW, and OE is HIGH

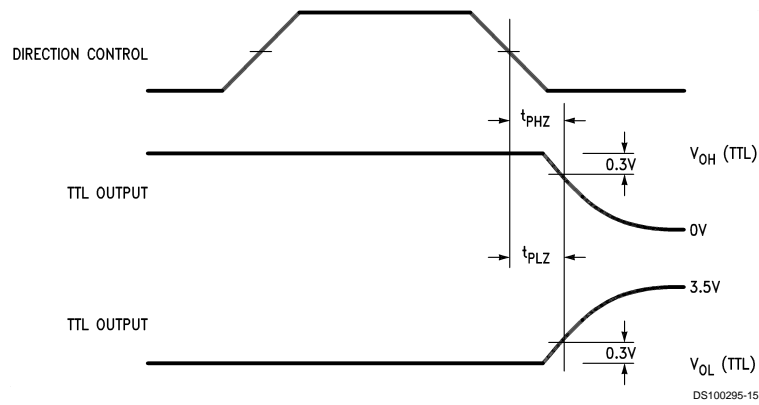
FIGURE 4. ECL-to-TTL Transition—Propagation Delay and Transition Times

## Switching Waveforms (ECL-to-TTL) (Continued)



Note 25: DIR is LOW, LE is HIGH

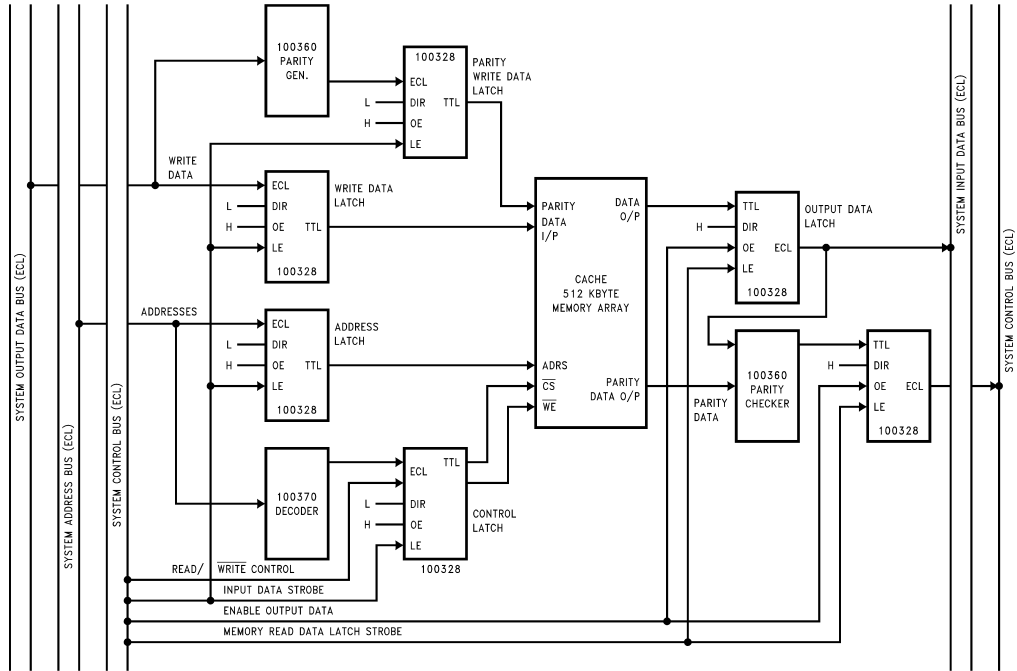
FIGURE 5. ECL-to-TTL Transition, OE to TTL Output, Enable and Disable Times



Note 26: OE is HIGH, LE is HIGH

FIGURE 6. ECL-to-TTL Transition, DIR to TTL Output, Disable Time

## Applications

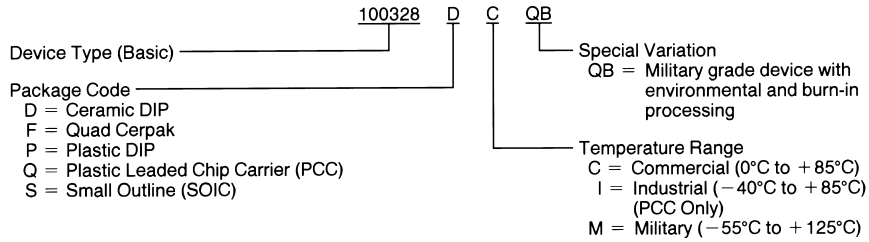


DS100295-12

FIGURE 7. Applications Diagram—MOS/TTL SRAM Interface Using 100328 ECL–TTL Latched Translator

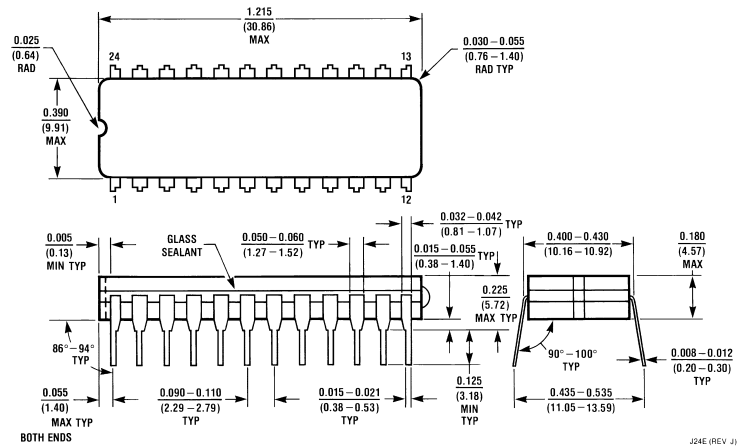
## Ordering Information

The device number is used to form part of a simplified purchasing code where A package type and temperature range are defined as follows:

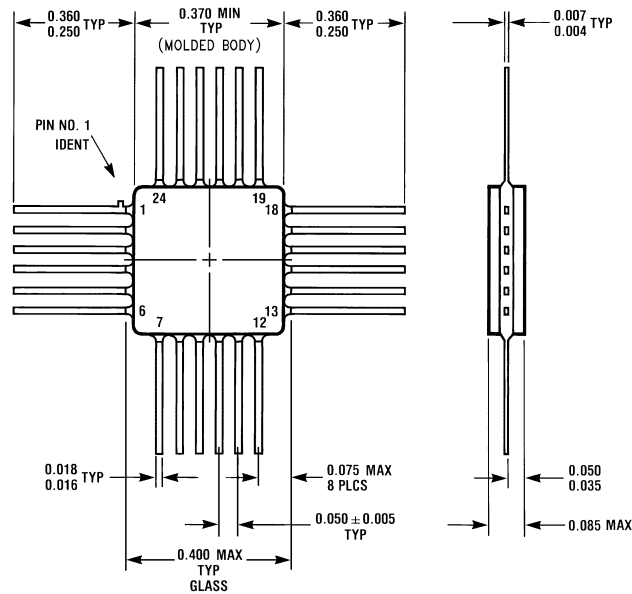


DS100295-16

**Physical Dimensions** inches (millimeters) unless otherwise noted



**24-Lead Ceramic Dual-In-Line Package (0.400" Wide) (D)**  
NS Package Number J24E



**24-Lead Quad Cerpak (F)**  
NS Package Number W24B

**LIFE SUPPORT POLICY**

NATIONAL'S PRODUCTS ARE NOT AUTHORIZED FOR USE AS CRITICAL COMPONENTS IN LIFE SUPPORT DEVICES OR SYSTEMS WITHOUT THE EXPRESS WRITTEN APPROVAL OF THE PRESIDENT OF NATIONAL SEMICONDUCTOR CORPORATION. As used herein:

1. Life support devices or systems are devices or systems which, (a) are intended for surgical implant into the body, or (b) support or sustain life, and whose failure to perform when properly used in accordance with instructions for use provided in the labeling, can be reasonably expected to result in a significant injury to the user.
2. A critical component in any component of a life support device or system whose failure to perform can be reasonably expected to cause the failure of the life support device or system, or to affect its safety or effectiveness.



**National Semiconductor Corporation**  
Americas  
Tel: 1-800-272-9959  
Fax: 1-800-737-7018  
Email: support@nsc.com

[www.national.com](http://www.national.com)

**National Semiconductor Europe**  
Fax: +49 (0) 1 80-530 85 86  
Email: europe.support@nsc.com  
Deutsch Tel: +49 (0) 1 80-530 85 85  
English Tel: +49 (0) 1 80-532 78 32  
Français Tel: +49 (0) 1 80-532 93 58  
Italiano Tel: +49 (0) 1 80-534 16 80

**National Semiconductor Asia Pacific Customer Response Group**  
Tel: 65-2544466  
Fax: 65-2504466  
Email: sea.support@nsc.com

**National Semiconductor Japan Ltd.**  
Tel: 81-3-5620-6175  
Fax: 81-3-5620-6179

## IMPORTANT NOTICE

Texas Instruments Incorporated and its subsidiaries (TI) reserve the right to make corrections, modifications, enhancements, improvements, and other changes to its products and services at any time and to discontinue any product or service without notice. Customers should obtain the latest relevant information before placing orders and should verify that such information is current and complete. All products are sold subject to TI's terms and conditions of sale supplied at the time of order acknowledgment.

TI warrants performance of its hardware products to the specifications applicable at the time of sale in accordance with TI's standard warranty. Testing and other quality control techniques are used to the extent TI deems necessary to support this warranty. Except where mandated by government requirements, testing of all parameters of each product is not necessarily performed.

TI assumes no liability for applications assistance or customer product design. Customers are responsible for their products and applications using TI components. To minimize the risks associated with customer products and applications, customers should provide adequate design and operating safeguards.

TI does not warrant or represent that any license, either express or implied, is granted under any TI patent right, copyright, mask work right, or other TI intellectual property right relating to any combination, machine, or process in which TI products or services are used. Information published by TI regarding third-party products or services does not constitute a license from TI to use such products or services or a warranty or endorsement thereof. Use of such information may require a license from a third party under the patents or other intellectual property of the third party, or a license from TI under the patents or other intellectual property of TI.

Reproduction of TI information in TI data books or data sheets is permissible only if reproduction is without alteration and is accompanied by all associated warranties, conditions, limitations, and notices. Reproduction of this information with alteration is an unfair and deceptive business practice. TI is not responsible or liable for such altered documentation. Information of third parties may be subject to additional restrictions.

Resale of TI products or services with statements different from or beyond the parameters stated by TI for that product or service voids all express and any implied warranties for the associated TI product or service and is an unfair and deceptive business practice. TI is not responsible or liable for any such statements.

TI products are not authorized for use in safety-critical applications (such as life support) where a failure of the TI product would reasonably be expected to cause severe personal injury or death, unless officers of the parties have executed an agreement specifically governing such use. Buyers represent that they have all necessary expertise in the safety and regulatory ramifications of their applications, and acknowledge and agree that they are solely responsible for all legal, regulatory and safety-related requirements concerning their products and any use of TI products in such safety-critical applications, notwithstanding any applications-related information or support that may be provided by TI. Further, Buyers must fully indemnify TI and its representatives against any damages arising out of the use of TI products in such safety-critical applications.

TI products are neither designed nor intended for use in military/aerospace applications or environments unless the TI products are specifically designated by TI as military-grade or "enhanced plastic." Only products designated by TI as military-grade meet military specifications. Buyers acknowledge and agree that any such use of TI products which TI has not designated as military-grade is solely at the Buyer's risk, and that they are solely responsible for compliance with all legal and regulatory requirements in connection with such use.

TI products are neither designed nor intended for use in automotive applications or environments unless the specific TI products are designated by TI as compliant with ISO/TS 16949 requirements. Buyers acknowledge and agree that, if they use any non-designated products in automotive applications, TI will not be responsible for any failure to meet such requirements.

Following are URLs where you can obtain information on other Texas Instruments products and application solutions:

### Products

|                        |  |
|------------------------|--|
| Audio                  | <a href="http://www.ti.com/audio">www.ti.com/audio</a>                               |
| Amplifiers             | <a href="http://amplifier.ti.com">amplifier.ti.com</a>                               |
| Data Converters        | <a href="http://dataconverter.ti.com">dataconverter.ti.com</a>                       |
| DLP® Products          | <a href="http://www.dlp.com">www.dlp.com</a>   |
| DSP                    | <a href="http://dsp.ti.com">dsp.ti.com</a>   |
| Clocks and Timers      | <a href="http://www.ti.com/clocks">www.ti.com/clocks</a>                             |
| Interface              | <a href="http://interface.ti.com">interface.ti.com</a>                               |
| Logic                  | <a href="http://logic.ti.com">logic.ti.com</a>                                       |
| Power Mgmt             | <a href="http://power.ti.com">power.ti.com</a>                                       |
| Microcontrollers       | <a href="http://microcontroller.ti.com">microcontroller.ti.com</a>                   |
| RFID                   | <a href="http://www.ti-rfid.com">www.ti-rfid.com</a>                                 |
| OMAP Mobile Processors | <a href="http://www.ti.com/omap">www.ti.com/omap</a>                                 |
| Wireless Connectivity  | <a href="http://www.ti.com/wirelessconnectivity">www.ti.com/wirelessconnectivity</a> |

### Applications

|                               |  |
|-------------------------------|--|
| Communications and Telecom    | <a href="http://www.ti.com/communications">www.ti.com/communications</a>                 |
| Computers and Peripherals     | <a href="http://www.ti.com/computers">www.ti.com/computers</a>                           |
| Consumer Electronics          | <a href="http://www.ti.com/consumer-apps">www.ti.com/consumer-apps</a>                   |
| Energy and Lighting           | <a href="http://www.ti.com/energy">www.ti.com/energy</a>                                 |
| Industrial                    | <a href="http://www.ti.com/industrial">www.ti.com/industrial</a>                         |
| Medical                       | <a href="http://www.ti.com/medical">www.ti.com/medical</a>                               |
| Security                      | <a href="http://www.ti.com/security">www.ti.com/security</a>                             |
| Space, Avionics and Defense   | <a href="http://www.ti.com/space-avionics-defense">www.ti.com/space-avionics-defense</a> |
| Transportation and Automotive | <a href="http://www.ti.com/automotive">www.ti.com/automotive</a>                         |
| Video and Imaging             | <a href="http://www.ti.com/video">www.ti.com/video</a>                                   |

TI E2E Community Home Page

[e2e.ti.com](http://e2e.ti.com)

Mailing Address: Texas Instruments, Post Office Box 655303, Dallas, Texas 75265  
Copyright © 2011, Texas Instruments Incorporated