

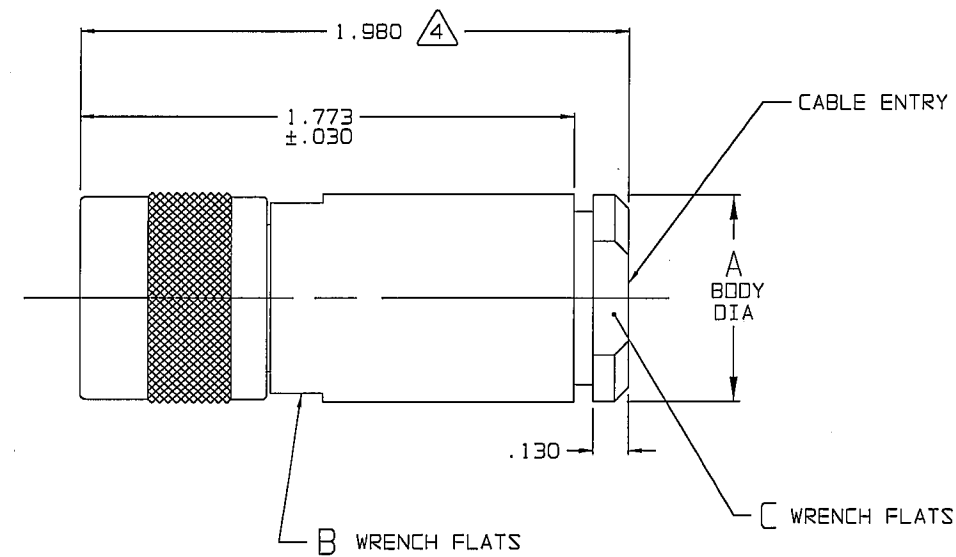
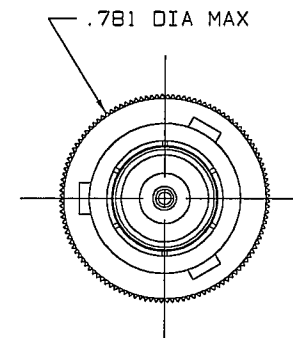
DATA CONTAINED IN THIS DOCUMENT IS PROPRIETARY TO TROMPETER ELECTRONICS INC. AND SHALL NOT BE DISCLOSED, COPIED OR USED FOR PROCUREMENT OR MANUFACTURE WITHOUT EXPRESS WRITTEN PERMISSION OF TROMPETER ELECTRONICS INC.

REVISIONS

3-0106 SH 1

REV	DESCRIPTION	DATE	APPROVED
J	REVISED PER ECD 15107	7/1/03	WJ

DASH NO	CABLES ACCOMMODATED	A DIA	B FLATS	C FLATS	ASSEMBLE PER				
-7	TRC-50-2/TRC-75-2	.750	.687	.625	TAI-175				
-8	8227, BELDEN				TAI-116				
-9	TWC-78-2, RG-108, TWC-124-2								
-10	754E, W.E.CO., RG-22								
-11	760A, W.E.CO.								
-12	16PEVL, W.E.CO.								
-13	TRF-59, TIMES								
-13A	8232, BELDEN								
-14	21-529, ESSEX 8233, BELDEN								
-14A	TRC-50-4A					.990	.875	.875	TAI-116
-15	21-583, ESSEX								
-16	21-950, ESSEX								
-26	275-3962, MICRODOT					.750	.687	.625	TAI-175
-29	TWC-124-1A								
-32	TRC-50-1								
-33	TRC-75-1								
-42	21-204, ESSEX								
-46	9860, BELDEN								
-47	M17/176-00002								
-54	89207, BELDEN								
-61	5012W5812, RAYCHEM								
-62	7518A0811, RAYCHEM	TAI-175							



-9 SHOWN

RED INDICATES ORIGINAL

5. 3-LUG CONCENTRIC TWINAX/TRIAX "C" STYLE CABLE PLUG W/SOCKET CENTER CONTACT

⁴ DIM IS MAX WHEN ASSEMBLED TO CABLE

3. INTERFACE: TCS-PL80

2. FINISH: TFS-1A (NICKEL)

1. ALL DIM ARE IN INCHES

INTERPRET DRAWING PER MIL-STD-100 DIMENSIONS ARE IN INCHES AND INCLUDE FINISH THICKNESS UNLESS OTHERWISE SPECIFIED		TOL: UNLESS SPECIFIED .XX .XXX ±.005 .XXXX ANGLES		
DRAWN: AAH CHECKED: DD DATE: 6/30/03 QUANTITY: 1000 HAND: WJ APPROVED: WJ 7/1/03	MATERIAL:	FINISH:	TITLE: PL803	
NEXT ASSY:	CAD FILE NO: 3-0106J	DO NOT SCALE DWG	SIZE: B CAGE CODE: 14949 DRAWING NO.: 3-0106 SCALE: NONE DATE: 6-28-84 SHEET: 1C	REV. J