

M02016

CMOS Transimpedance Amplifier with AGC for Fiber Optic Networks up to 1.25 Gbps

The M02016 is a CMOS transimpedance amplifier with AGC. The AGC gives a wide dynamic range of 35 dB. The high transimpedance gain of 24 kΩ ensures good sensitivity.

For optimum system performance, the M02016 die should be mounted with a silicon or InGaAs PIN photo detector inside a lensed TO-Can or other optical sub-assembly.

The M02016 can either bias the PIN diode from the internal regulator or use an externally biased PIN diode.

A replica of the average photodiode current is available at the MON pad for photo-alignment and 'Loss of Signal' (LOS) monitoring.

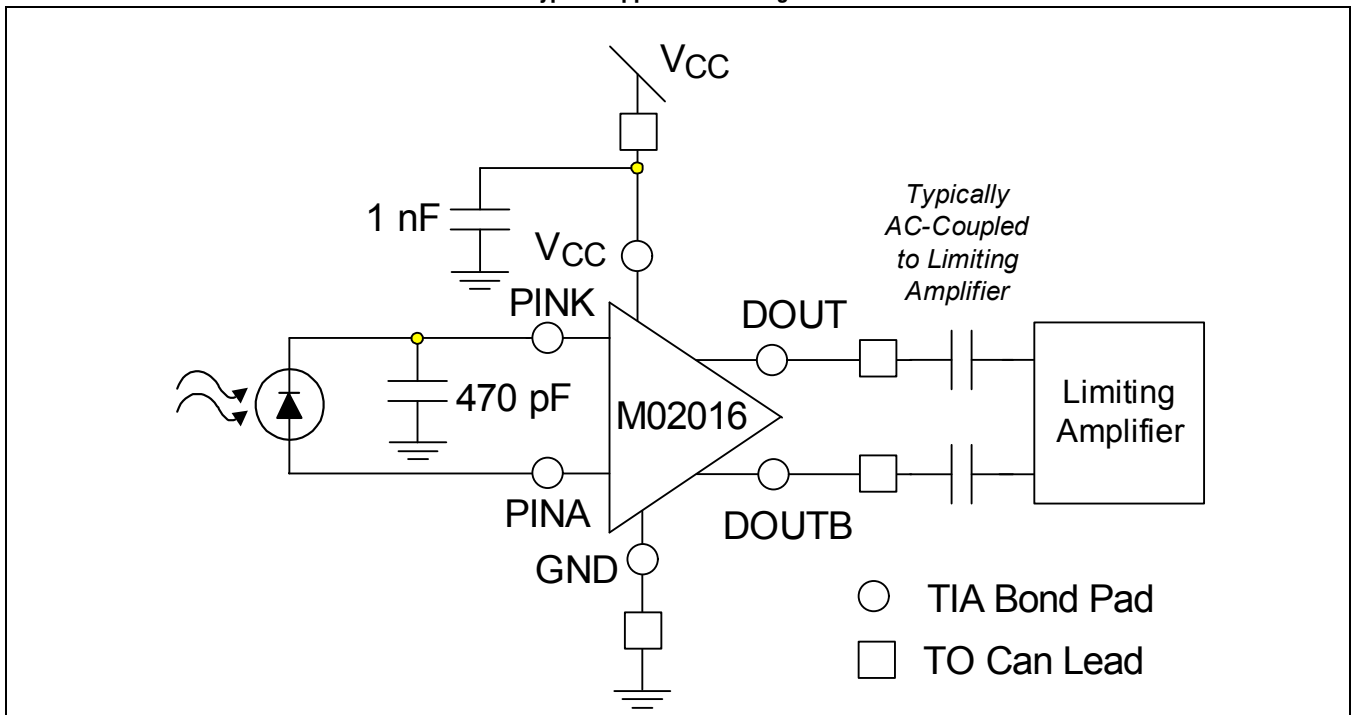
Applications

- GPON
- GEAPON
- Gigabit Ethernet
- Fiber Channel

Features

- Typical -29dBm sensitivity, +6 dBm saturation at 1.25 Gbps when used with 0.9 A/W InGaAs PIN. (Cpd ≤ 0.5pF, BER 10⁻¹⁰)
- Typical differential transimpedance: 24 kΩ
- Fabricated in standard CMOS
- Differential output
- Standard +3.3 Volt supply
- Available in die form only
- Monitor output
- AGC provides dynamic range of 35 dB
- Internal or external bias for photodiode
- PIN or APD sensor
- Same pad layout and die size as M02011/13/14/15

Typical Applications Diagram



Ordering Information

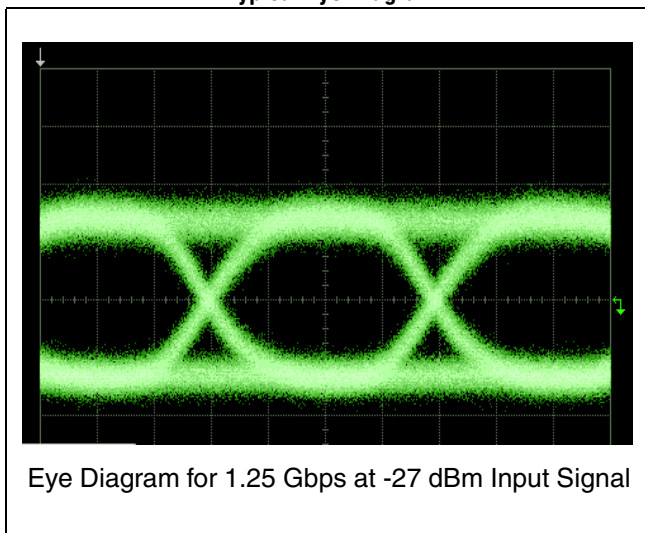
Part Number	Package	Operating Temperature
M02016-xx*	Waffle Pack	-40°C to 85°C
M02016-xx*	Expanded whole wafer on a ring	-40°C to 85°C

NOTE:
*xx represents the revision number. Please contact your local sales office for correct digits.

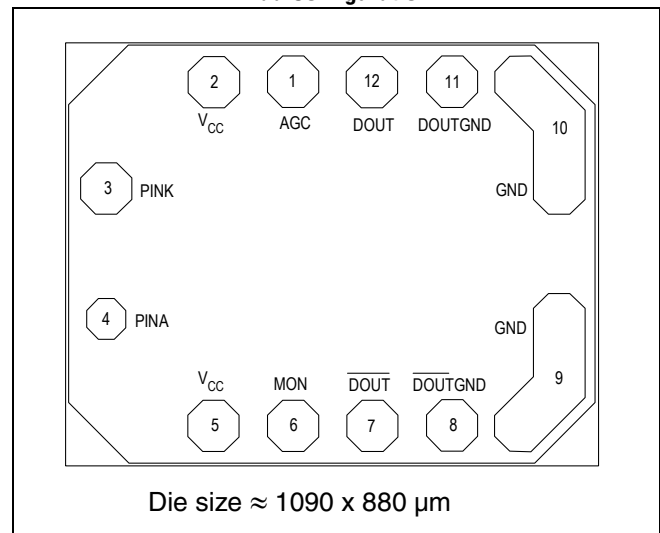
Revision History

Revision	Level	Date	Description
F	Released	June 2007	Revised Table 1-1 Separate Applications Information from Functional Description. Add notes to clarify the bonding procedure.
E	Released	November 2004	Production Release.

Typical Eye Diagram



Pad Configuration





1.0 Product Specification

1.1 Absolute Maximum Ratings

These are the absolute maximum ratings at or beyond which the IC can be expected to fail or be damaged. Reliable operation at these extremes for any length of time is not implied.

Table 1-1. Absolute Maximum Ratings

Symbol	Parameter	Rating	Units
V_{CC}	Power supply ($V_{CC} - GND$)	4	V
T_A	Operating ambient	-40 to +85	°C
T_{STG}	Storage temperature	-65 to +150	°C
I_{IN}	PINA Input current	8 ⁽¹⁾	mA _{PP}
$V_{PINA}, V_{PINK}, V_{Dout}, V_{DoutB}, V_{AGC}, V_{MON}$	Maximum input voltage at PINA, PINK, Dout, DoutB, AGC and MON	-0.4V to Vcc +0.4V	V
I_{PINK}	Maximum average current sourced out of PINK	10	mA
I_{Dout}, I_{DoutB}	Maximum average current sourced out of Dout and DoutB	10	mA

NOTES:
1. Equivalent to 4.9 mA average current with an extinction ratio of 10 dB.

1.2 Recommended Operating Conditions

Table 1-2. Recommended Operating Conditions

Symbol	Parameter	Rating	Units
V_{CC}	Power supply ($V_{CC} - GND$)	3.3 ± 10%	V
C_{PD}	Max. Photodiode capacitance ($V_r = 1.7$ V, when using PINK), for 1.25 Gbps data rate	0.5	pF
T_A	Operating ambient temperature	-40 to +85	°C

1.3 DC Characteristics

Table 1-3. DC Characteristics

Symbol	Parameter	Minimum	Typical	Maximum	Units
V_B	Photodiode bias voltage (PINK – PINA)	1.7	2.0	2.2	V
V_{CM}	Common mode output voltage	0.7	1	1.3	V
I_{CC}	Supply current (no loads)	23	30	39	mA
R_{LOAD}	Recommended differential output loading	—	100 ⁽¹⁾	—	Ω
NOTE:					
1. 100 Ω is the load presented by the limiting amplifier.					

1.4 AC Characteristics

Table 1-4. AC Characteristics

Symbol	Parameter	Minimum	Typical ⁽¹⁾	Maximum	Units
R_{OUT}	Output impedance (single ended) ⁽²⁾	35	50	65	Ω
LFC	Low frequency cutoff ⁽³⁾	—	70	115	kHz
V_D	Differential output voltage	—	275	500	mV
DCD	Duty cycle distortion	—	—	40	ps
DJ	Deterministic jitter (includes DCD)	—	—	80	ps _{pp}
In _{rms}	Total input RMS noise, DC to 930 MHz, Cin = 0.5 pF	—	130	185	nA
Pin	Example dynamic range of optical input ⁽⁴⁾	-28	—	+6	dBm
PIN _{mean_min}	Optical Sensitivity ⁽⁴⁾	—	-29	—	dBm
NOTES:					
1. Die designed to operate over an ambient temperature range of -40°C to +85°C, T_A and V_{CC} range from 3.0–3.6V. Typical values are tested at $T_A = 25^\circ\text{C}$ and $V_{CC} = 3.3\text{V}$.					
2. Measured at 1 MHz.					
3. Input -28 dBm, Extinction Ratio = 10, Temp = 25°C.					
4. BER 10^{-10} , PD capacitance = 0.5 pF, Responsivity 0.9 A/W, Extinction Ratio = 10.					

1.5 Dynamic Characteristics

Table 1-5. Dynamic Characteristics

Symbol	Parameter	Minimum	Typical	Maximum	Units
G	Transimpedance				
	- Single ended	8	12	16	k Ω
	- Differential	12	24	32	
BW	Bandwidth to -3 dB point @ -26 dBm, 0.9A/W, 0.5 pF PD	0.7	1.0	—	GHz
RC	AGC loop time constant	—	2	—	μ s
I _{AGC}	AGC threshold	9	11	—	μ A _{pp}
I _{OVL}	Maximum functional input current	3.6 ⁽¹⁾	—	—	mA
PSRR	Power supply rejection, f < 4 MHz	20	28	—	dB

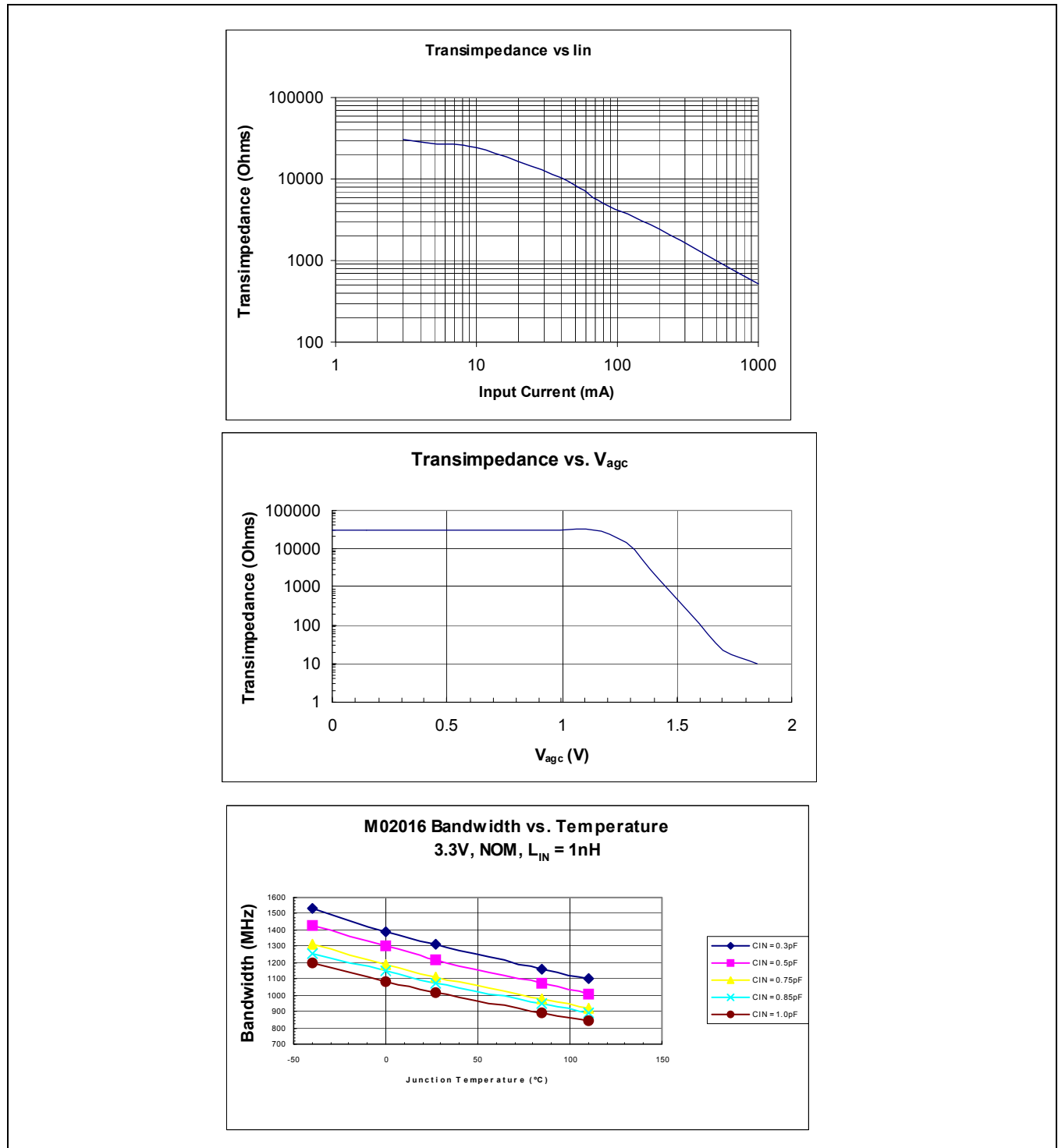
NOTE:

1. Equivalent to +3.4 dBm input optical power at Extinction Ratio = 10, Responsivity = 1.0 A/W.

1.6 Typical Performance

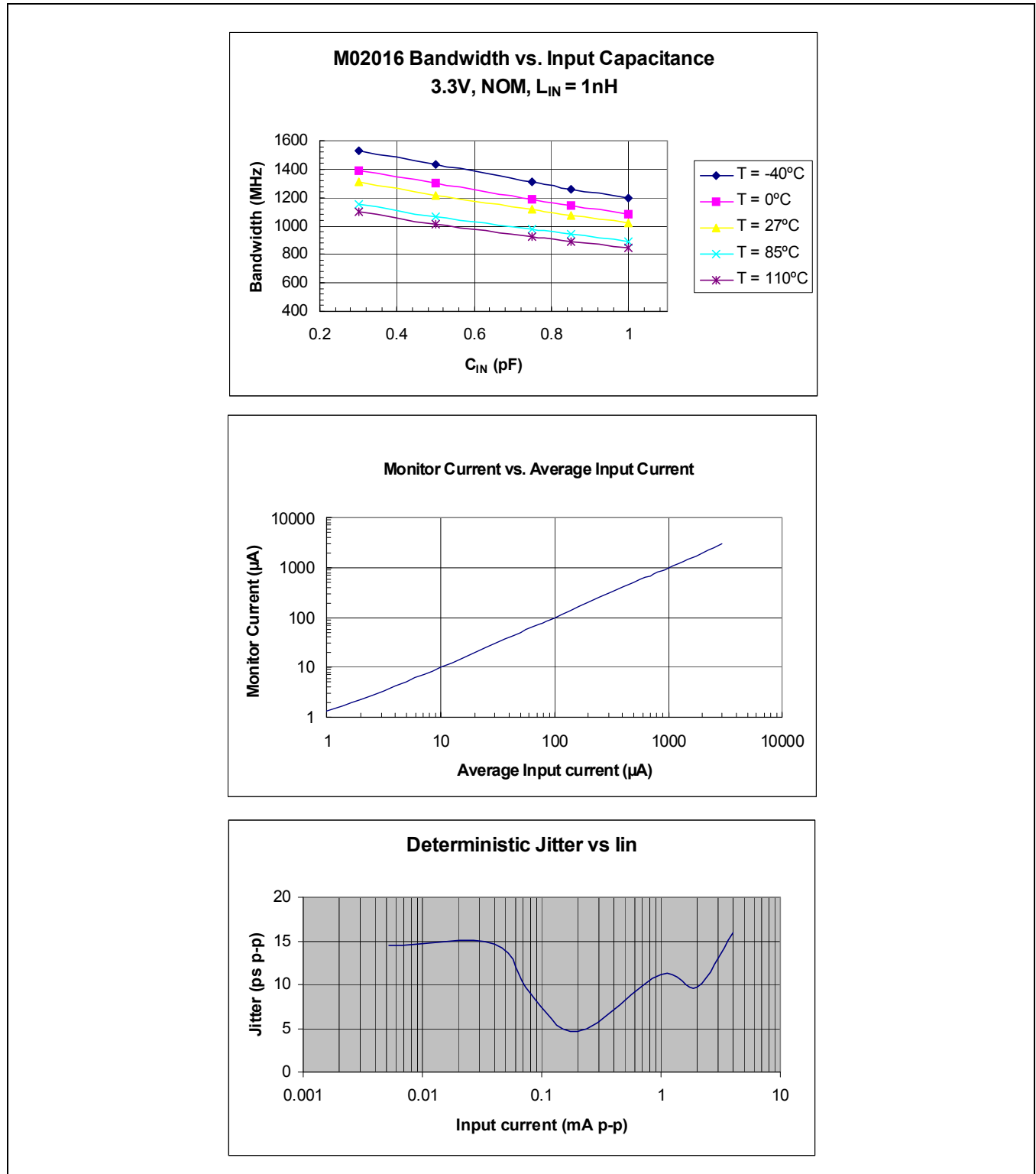
V_{cc} = 3.3V, Temperature = 25 °C, L_{in} = 1 nH, unless otherwise stated.

Figure 1-1. Typical Performance Diagrams 1 of 3



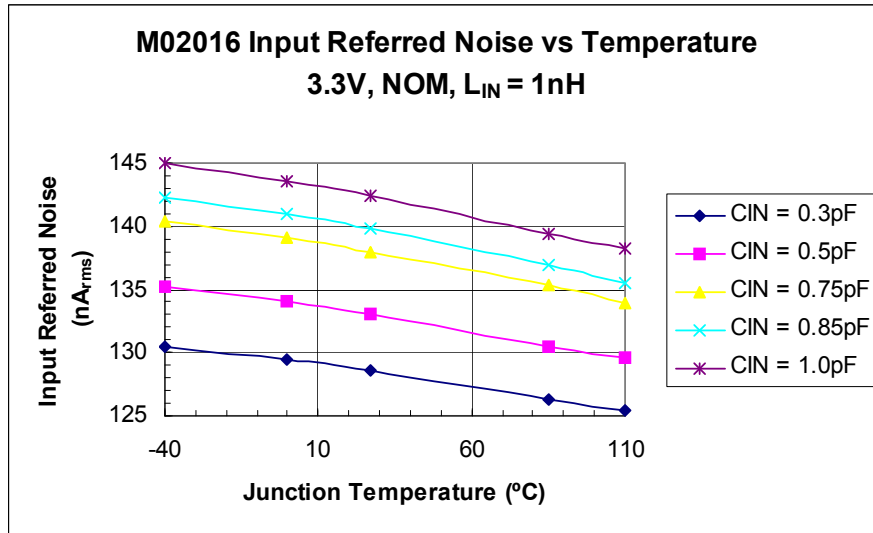
Vcc = 3.3V, Temperature = 25 °C, Lin = 1 nH, unless otherwise stated.

Figure 1-2. Typical Performance Diagrams 2 of 3

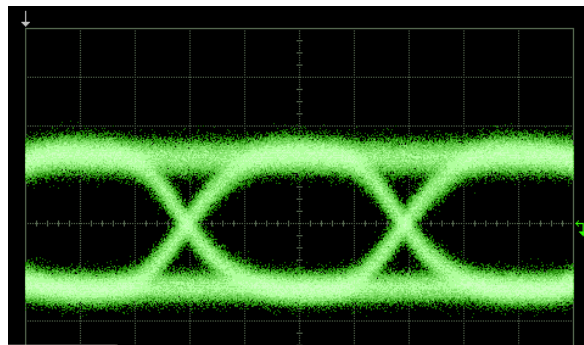


Vcc = 3.3V, Temperature = 25 °C, Lin = 1 nH, unless otherwise stated.

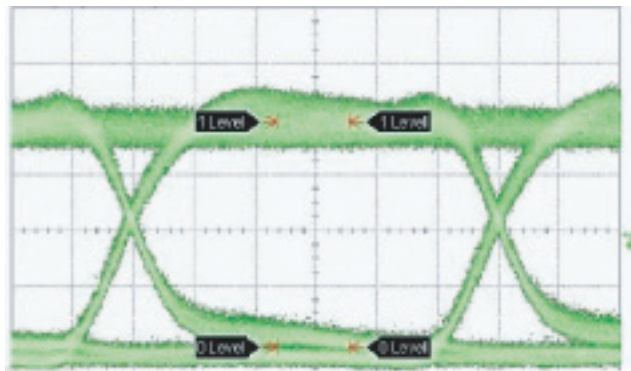
Figure 1-3. Typical Performance Diagrams 3 of 3



Eye Diagram for 1.25 Gb/s at -27 dBm Input Signal



Eye Diagram for 1.25 Gb/s at +6 dBm Input Signal





2.0 Pin/Pad Definitions

2.1 Pin/Pad Definitions

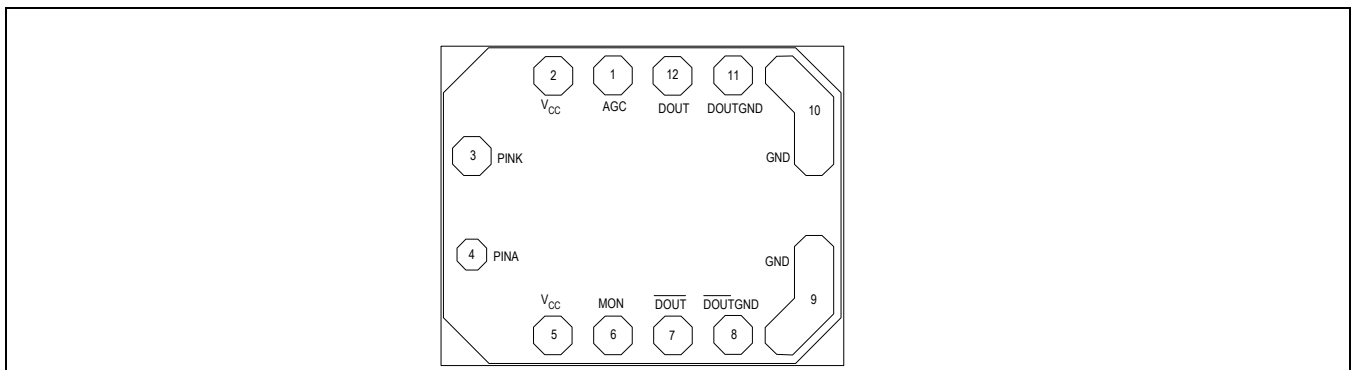
Table 2-1. Pin/Pad Definitions

Die Pad No	Name	Function
1	AGC	Monitor or force AGC voltage
2	V _{CC}	Power pin. Connect to most positive supply
3	PINK	Common PIN input. Connect to photo diode cathode and a 470 pF capacitor to Gnd ⁽¹⁾
4	PINA	Active PIN input. Connect to photo diode anode
5	V _{CC}	Power pin. Connect to most positive supply (only one V _{CC} pad needs to be connected)
6	MON	Analog current sink output. Current matched to average photodiode current. Intended for photo-alignment use only.
7	$\overline{\text{DOUT}}$	Differential data output (goes low as light increases)
8	$\overline{\text{DOUTGND}}$	Ground return for $\overline{\text{DOUT}}$ pad ⁽²⁾
9	GND	Ground pin. Connect to the most negative supply ⁽²⁾
10	GND	Ground pin. Connect to the most negative supply ⁽²⁾
11	DOUTGND	Ground return for DOUT pad ⁽²⁾
12	DOUT	Differential data output (goes high as light increases)
NA	Backside	Backside. Connect to the lowest potential, usually ground

NOTES:

1. Alternatively the photodiode cathode may be connected to a decoupled positive supply, e.g. V_{CC}.
2. All ground pads are common on the die. Only one ground pad needs to be connected to the TO-Can ground. However, connecting more than one ground pad to the TO-Can ground, particularly those across the die from each other can improve performance in noisy environments.

Figure 2-1. Bare Die Layout





3.0 Functional Description

3.1 Overview

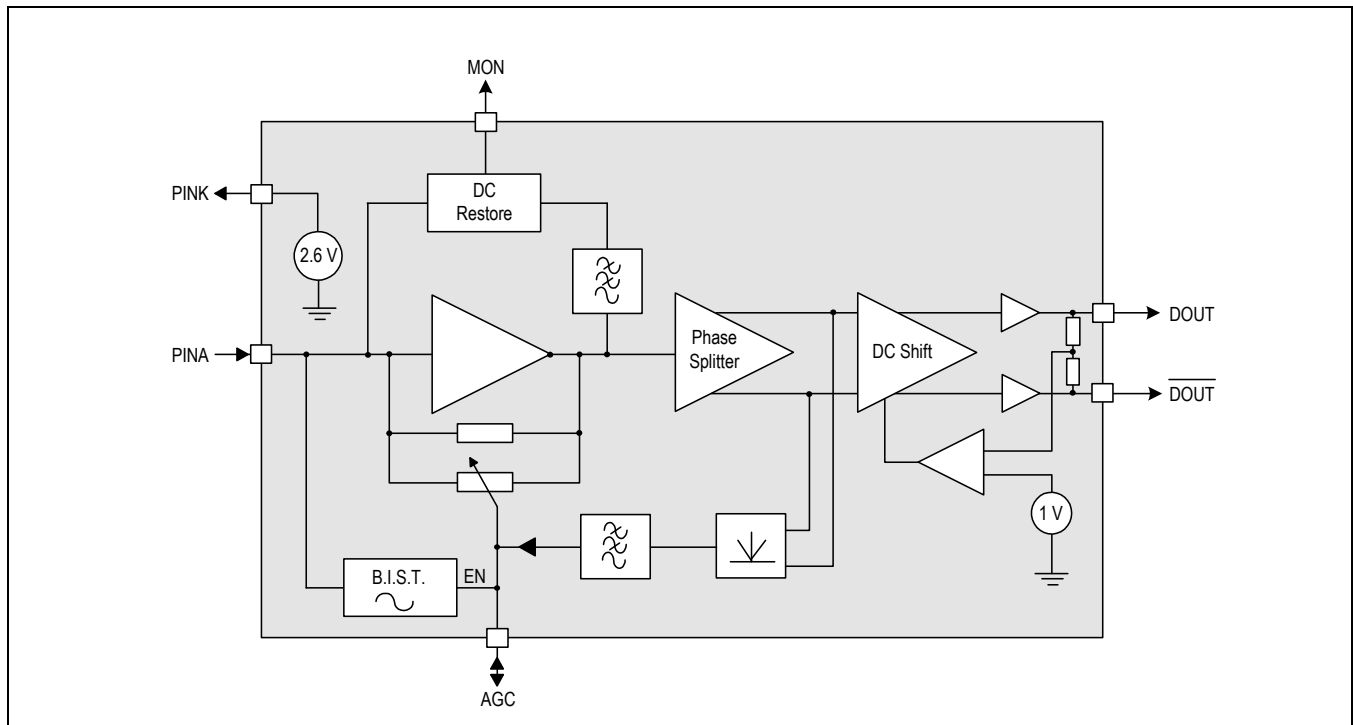
The M02016 is a CMOS transimpedance amplifier with AGC. The AGC gives a wide dynamic range of 35dB. The high transimpedance gain of 24 k Ω ensures good sensitivity.

For optimum system performance, the M02016 die should be mounted with a silicon or InGaAs PIN photo detector inside a lensed TO-Can or other optical sub-assembly.

The M02016 can either bias the PIN diode from the internal regulator or use an externally biased PIN diode.

A replica of the average photodiode current is available at the MON pad for photo-alignment and 'Loss of Signal' (LOS) monitoring.

Figure 3-1. M02016 Block Diagram



3.2 General Description

3.2.1 TIA (Transimpedance Amplifier)

The transimpedance amplifier consists of a high gain single-ended CMOS amplifier (TIA) with a feedback resistor. The feedback creates a virtual earth low impedance at the input and virtually all of the input current passes through the feedback resistor, defining the voltage at the output. Advanced CMOS design techniques are employed to maintain the stability of this stage across all input conditions.

An on-chip low dropout linear regulator has been incorporated into the design to give excellent noise rejection up to several MHz. Higher frequency power supply noise is removed by the external 470 pF decoupling capacitor connected to PINK.

The circuit is designed for PIN photodiodes in the “grounded cathode” configuration, with the anode connected to the input of the TIA and the cathode connected to AC ground, such as the provided PINK terminal. Reverse DC bias is applied to reduce the photodiode capacitance. Avalanche photodiodes can be connected externally to a higher voltage.

3.2.2 AGC

The M02016 has been designed to operate over the input range of +6 dBm to –29 dBm. This represents a ratio of 1:3000 whereas the acceptable dynamic range of the output is only 1:30 which implies a compression of 100:1 in the transimpedance. The design uses a MOS transistor operating as a “voltage controlled resistor” to achieve the transimpedance variation.

Another feature of the AGC is that it only operates on signals greater than –22 dBm (@ 0.9 A/W). This knee in the gain response is important when setting “signal detect” functions in the following post amplifier. It also aids in active photodiode alignment.

The AGC pad allows the AGC to be disabled during photodiode alignment by grounding the pad through a low impedance. The AGC control voltage can be monitored during normal operation at this pad by a high impedance (>10 M Ω) circuit.

3.2.3 Output Stage

The signal from the TIA enters a phase splitter followed by a DC-shift stage and a pair of voltage follower outputs. These are designed to drive a differential (100 Ω) load. They are stable for driving capacitive loads, such as interstage filters. Each output has its own GND pad, all four GND pads on the chip should be connected for proper operation. Since the M02016 exhibits rapid roll-off (3 pole), simple external filtering is sufficient.

3.2.4 Monitor O/P

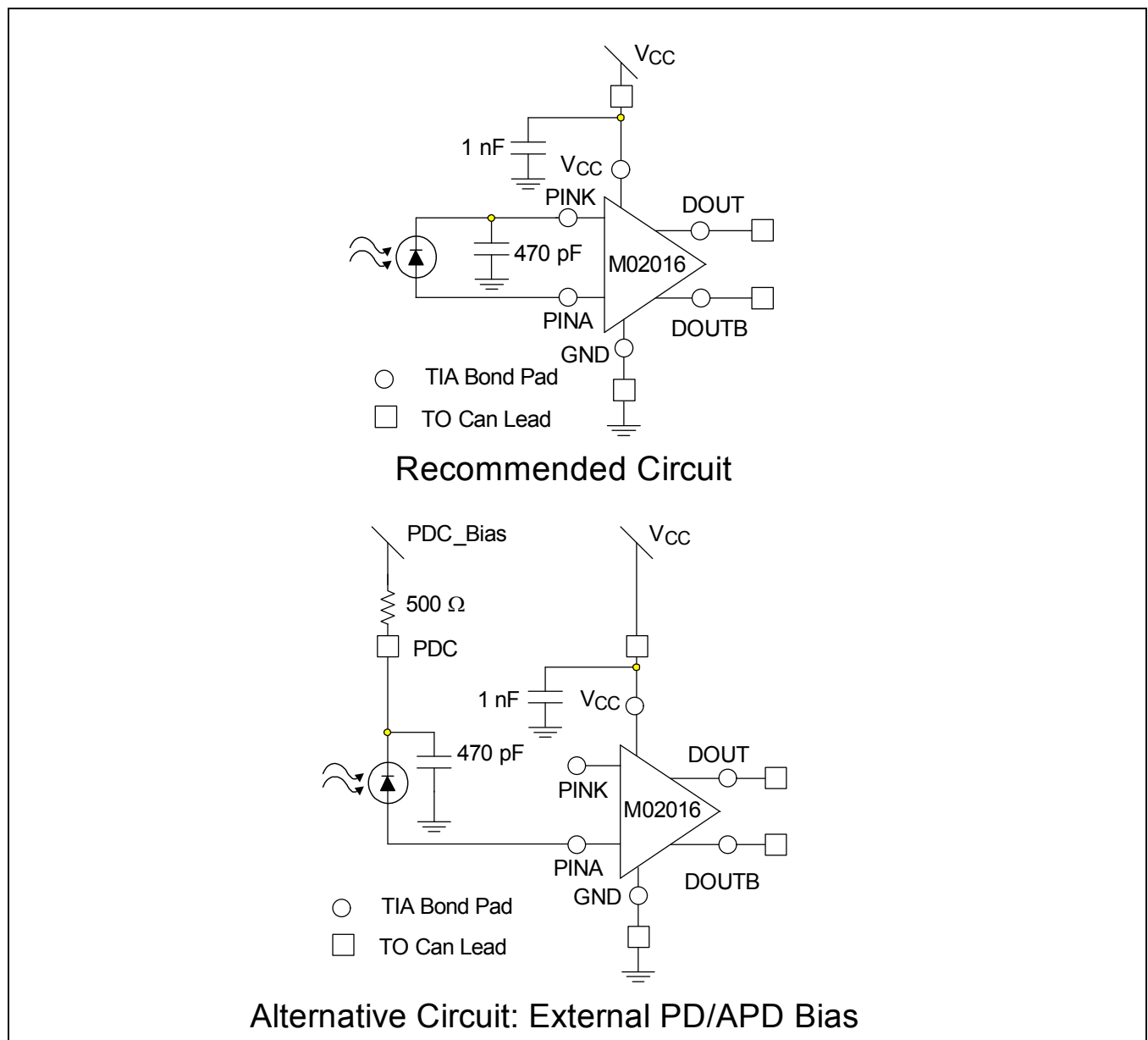
High impedance output sources a replica average photodiode current for photo-alignment use. The accuracy of this signal does not meet the DDMI Receive Power Specification (SFP-8472) and it is not intended be used as such. It is possible to use the Mindspeed M0204x/50 limiting amplifiers’ RxAVG_{IN} pin to bias the photodiode cathode to provide an SFP-8472 compliant monitoring function. Ensure that the voltage on V_{MON} is in the range of 1V to V_{CC}.



4.0 Applications Information

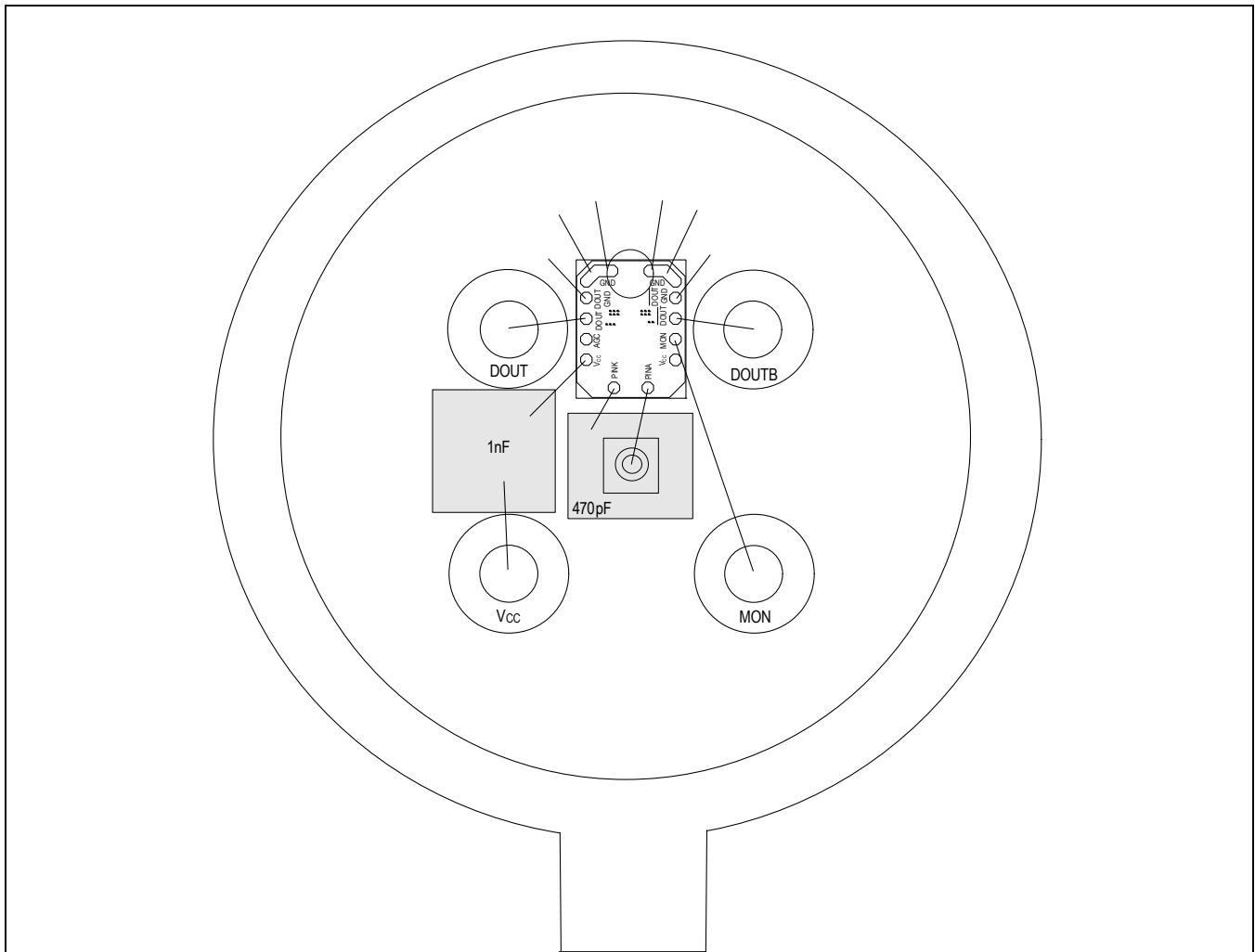
4.1 Recommended Pin Diode Connections

Figure 4-1. Suggested PIN Diode Connection Methods



4.2 TO-Can Layout

Figure 4-2. Typical Layout Diagram



Notes:

Typical application inside of a 5 lead TO-Can.

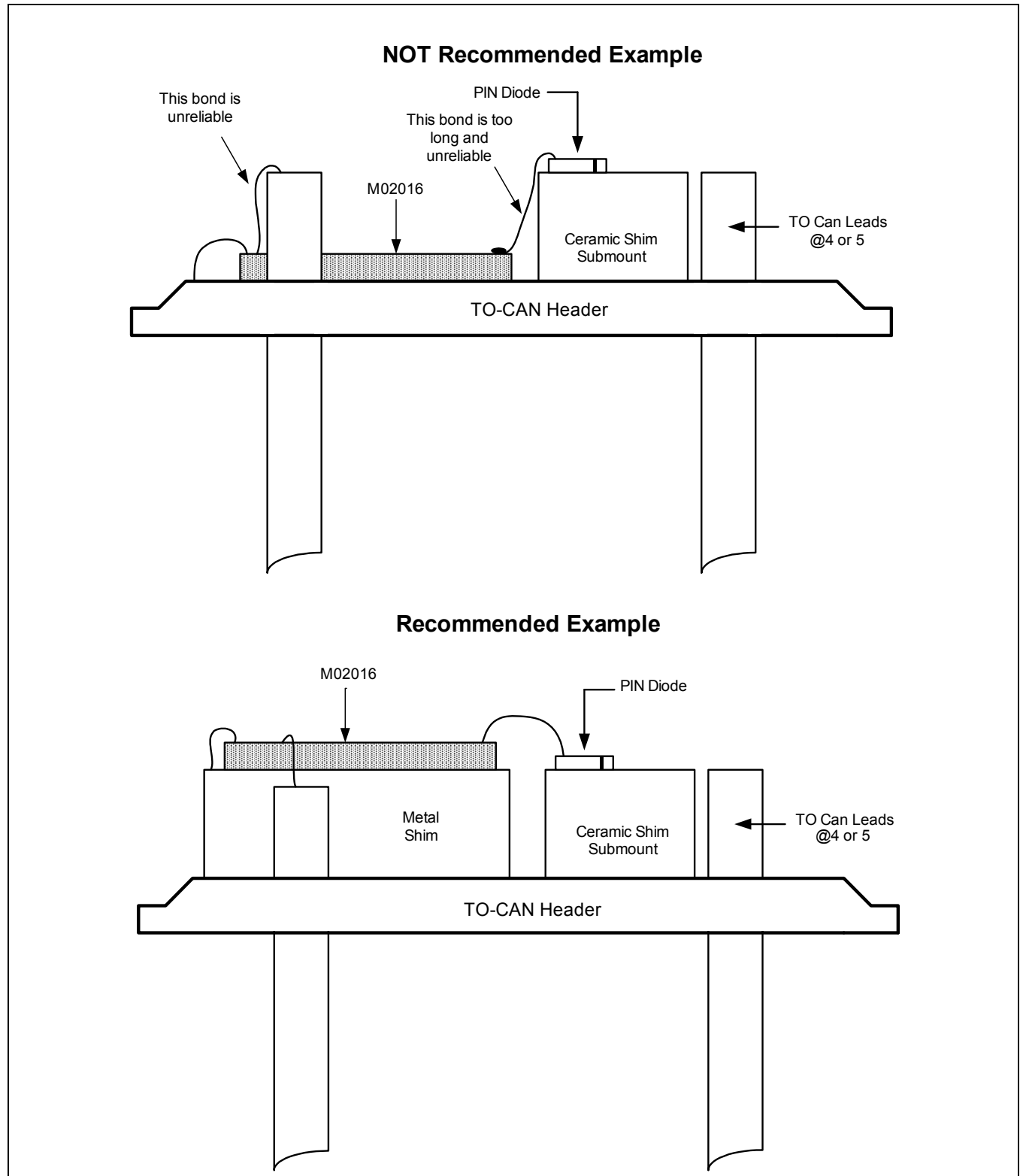
Only one of the V_{CC} pads and one of the GND pads need to be connected (though in noisy environments two or more GND pads connected may improve performance). The backside must be connected to the lowest potential, usually ground, with conductive epoxy or a similar die attach material. If a monitor output is not required then a 4 lead TO-Can may be used.

4.3 Treatment of PINK

PINK requires bypassing to ground with a capacitor when powering a photo diode. If PINK is not used to bias the photo diode, then it is not necessary to bypass an unused PINK.

4.4 TO-Can Assembly Recommendations

Figure 4-3. TO-Can Assembly Diagram



4.4.1 Assembly

The M02016 is designed to work with a wirebond inductance of $1 \text{ nH} \pm 0.25 \text{ nH}$. Many existing TO-Can configurations will not allow wirebond lengths that short, since the PIN diode submount and the TIA die are more than 1 mm away in the vertical direction, due to the need to have the PIN diode in the correct focal plane. This can be remedied by raising up the TIA die with a conductive metal shim. This will effectively reduce the bond wire length. Refer to [Figure 4-3](#) for details.

Mindspeed recommends ball bonding with a 1 mil (25.4 μm) gold wire. For performance reasons the PINA pad is smaller than the others and also has less via material connected to it. It therefore requires more care in setting of the bonding parameters. **For the same reason PINA has no ESD protection.**

In addition, please refer to the Mindspeed Product Bulletin on Recommended Assembly Procedures (document number 0201x-PBD-002-A). Care must be taken when selecting chip capacitors, since they must have good low ESR characteristics up to 1.0 GHz. It is also important that the termination materials of the capacitor be compatible with the attach method used.

For example, Tin/Lead (Pb/Sn) solder finish capacitors are incompatible with silver-filled epoxies. Palladium/Silver (Pd/Ag) terminations are compatible with silver filled epoxies. Solder can be used only if the substrate thick-film inks are compatible with Pb/Sn solders.

4.4.2 Recommended Assembly Procedures

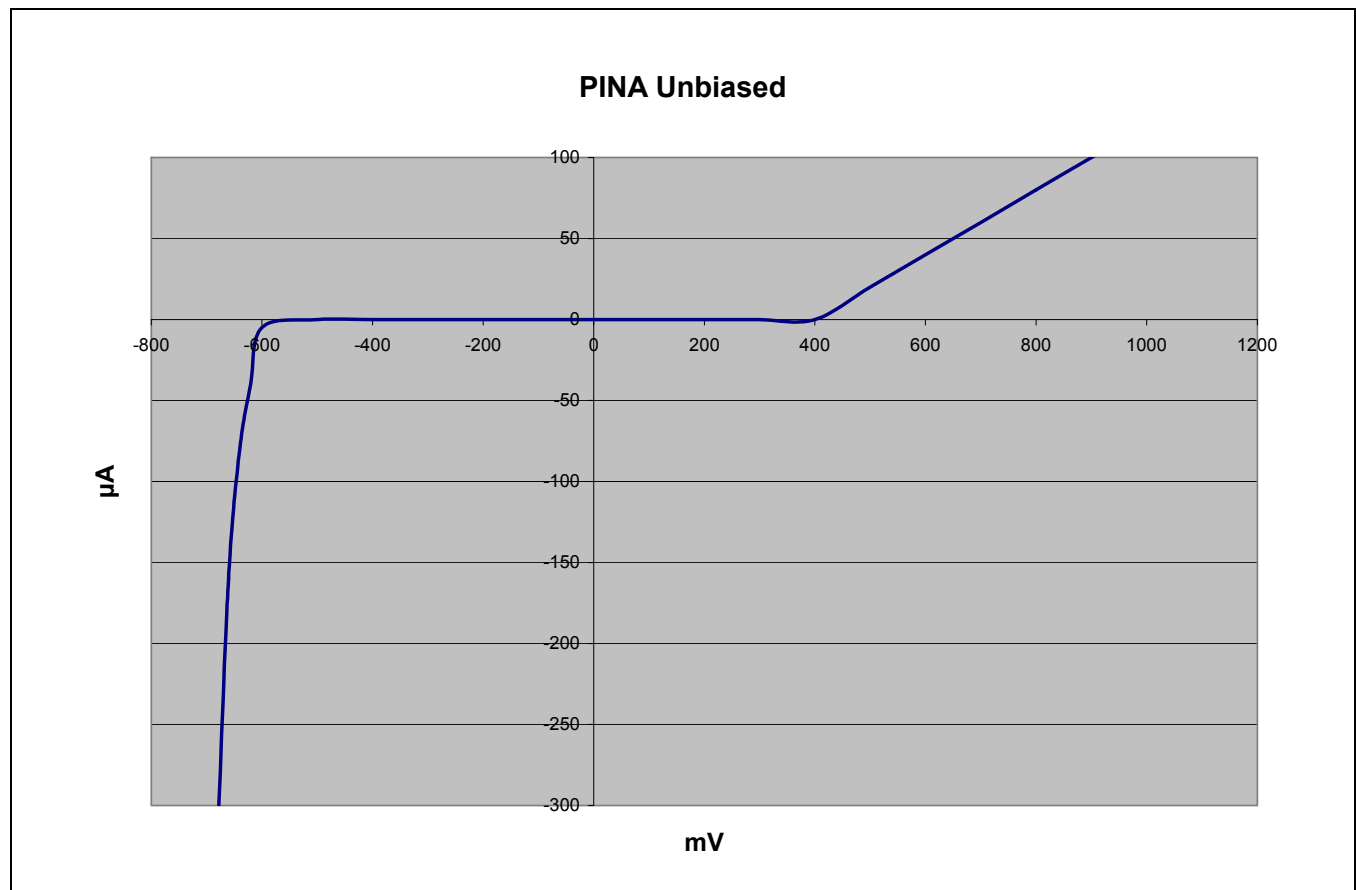
For ESD protection the following steps are recommended for TO-Can assembly:

- a. Ensure good humidity control in the environment (to help minimize ESD).
 - b. Consider using additional ionization of the air (also helps minimize ESD).
 - c. It is best to ensure that the body of the TO-can header or the ground lead of the header is grounded through the wire-bonding fixture. The best solution will ensure that the V_{CC} lead of the TO-Can is also grounded. When this is done and the procedure below is followed, the photodiode will help reduce the impact to PINA of any positive charge on the wire bonder when bonding to PINA, which is the very last bond placed. (Because the PD is already bonded to PINK and PINK has an internal ESD diode between itself and V_{CC} , if V_{CC} is grounded, this will help protect PINA.)
 - d. The most reliable protection to prevent ESD damage on the die is to assure that the wirebonder (including the spool, clamp, etc.) is properly grounded.
1. Wire bond the ground pad(s) of the die first.
 2. Then wire bond the VCC pad to the TO-Can lead.
 3. Then wire bond any other pads going to the TO-Can leads (such as DOUT, DOUT and possibly MON)
 4. Next wire bond any capacitors inside the TO-Can.
 5. Inside the TO-can, wire bond PINK.
 6. The final step is to wire bond PINA.

4.5 TIA Use with Externally Biased Detectors

In some applications, Mindspeed TIAs are used with detectors biased at a voltage greater than available from TIA PIN cathode supply. This works well if some basic cautions are observed. When turned off, the input to the TIA exhibits the following I/V characteristic:

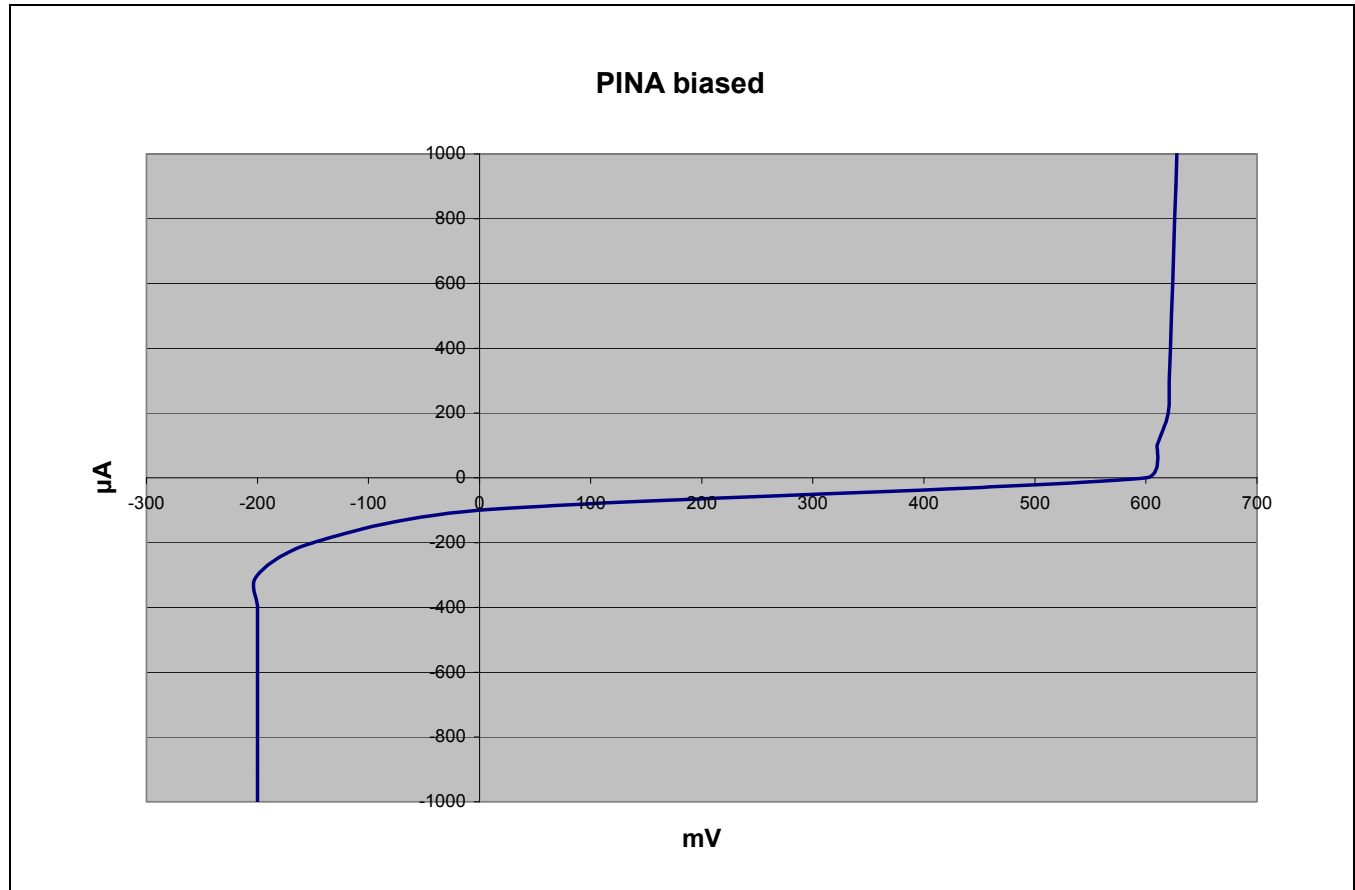
Figure 4-4. TIA Use with Externally Biased Detectors, Powered Off



In the positive direction the impedance of the input is relatively high.

After the TIA is turned on, the DC servo and AGC circuits attempt to null any input currents (up to the absolute maximum stated in [Table 1-1](#)) as shown by the I/V curve in [Figure 4-5](#).

Figure 4-5. TIA Use with Externally Biased Detectors, Powered On



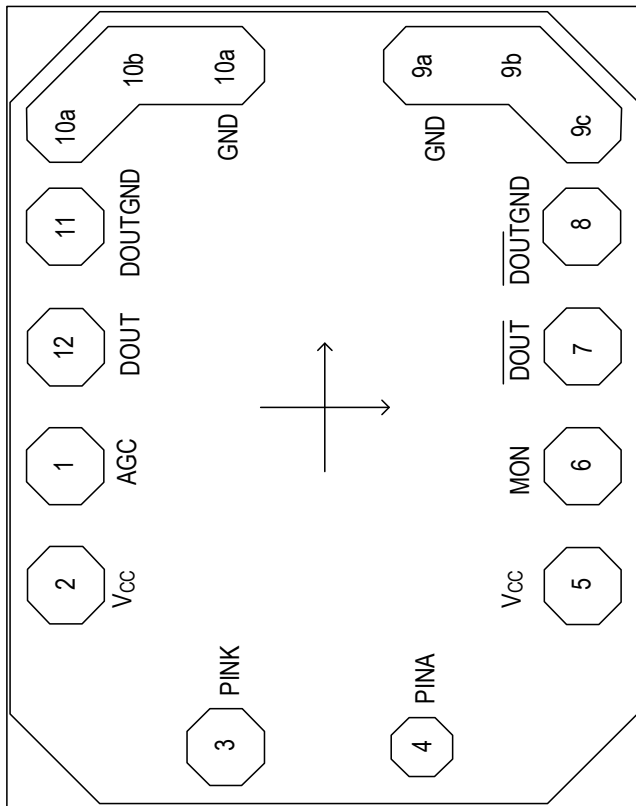
It can be seen that any negative voltage below 200 mV is nulled and that any positive going voltage above the PINA standing voltage is nulled by the DC servo. The DC servo upper bandwidth varies from part to part, but is generally at least 30 kHz.

When externally biasing a detector such as an APD where the supply voltage of the APD exceeds that for PINA [Table 1-1](#), care should be taken to power up the TIA first and to keep the TIA powered up until after the power supply voltage of the APD is removed. Failure to do this with the TIA unpowered may result in damage to the input FET gate at PINA. In some cases the damage may be very subtle, in that nearly normal operation may be experienced with the damage causing slight reductions in bandwidth and corresponding reductions in input sensitivity.



5.0 Die Specification

Figure 5-1. Bare Die Information



Notes:

Process technology: CMOS, Silicon Nitride passivation
 Die thickness: 300 μm
 Pad metallization: Aluminium
 Die size: 1090 μm x 880 μm
 Pad opening (except PINA): 86 μm across flat sides
 PINA pad: 70 μm across flat sides (70 μm x 70 μm)
 Pad Centers in μm referenced to center of device
 Connect backside bias to ground

Pad Number	Pad	X	Y
1	AGC	-329	-76
2 (1)	V _{CC}	-329	-228
3	PINK	-124	-434
4	PINA	124	-434
5 (1)	V _{CC}	329	-228
6	MON	329	-76
7	$\overline{\text{DOUT}}$	329	76
8 (1)	$\overline{\text{DOUTGND}}$	329	228
9c (1, 2)	GND	329	360
9b (1, 2)	GND	255	434
9a (1, 2)	GND	124	434
10a (1, 2)	GND	-124	434
10b (1, 2)	GND	-255	434
10c (1, 2)	GND	-329	360
11 (1)	DOUTGND	-329	228
12	DOUT	-329	76

NOTES:

1. It is only necessary to bond one V_{CC} pad and one GND pad. However, bonding one of each pad (if available) on each side of the die is encouraged for improved performance in noisy environments.
2. Each location is an acceptable bonding location.

www.mindspeed.com

General Information:
Telephone: (949) 579-3000
Headquarters - Newport Beach
4000 MacArthur Blvd., East Tower
Newport Beach, CA 92660

© 2007 Mindspeed Technologies®, Inc. All rights reserved.

Information in this document is provided in connection with Mindspeed Technologies® ("Mindspeed®") products. These materials are provided by Mindspeed as a service to its customers and may be used for informational purposes only. Except as provided in Mindspeed's Terms and Conditions of Sale for such products or in any separate agreement related to this document, Mindspeed assumes no liability whatsoever. Mindspeed assumes no responsibility for errors or omissions in these materials. Mindspeed may make changes to specifications and product descriptions at any time, without notice. Mindspeed makes no commitment to update the information and shall have no responsibility whatsoever for conflicts or incompatibilities arising from future changes to its specifications and product descriptions. No license, express or implied, by estoppel or otherwise, to any intellectual property rights is granted by this document.

THESE MATERIALS ARE PROVIDED "AS IS" WITHOUT WARRANTY OF ANY KIND, EITHER EXPRESS OR IMPLIED, RELATING TO SALE AND/OR USE OF MINDSPEED PRODUCTS INCLUDING LIABILITY OR WARRANTIES RELATING TO FITNESS FOR A PARTICULAR PURPOSE, CONSEQUENTIAL OR INCIDENTAL DAMAGES, MERCHANTABILITY, OR INFRINGEMENT OF ANY PATENT, COPYRIGHT OR OTHER INTELLECTUAL PROPERTY RIGHT. MINDSPEED FURTHER DOES NOT WARRANT THE ACCURACY OR COMPLETENESS OF THE INFORMATION, TEXT, GRAPHICS OR OTHER ITEMS CONTAINED WITHIN THESE MATERIALS. MINDSPEED SHALL NOT BE LIABLE FOR ANY SPECIAL, INDIRECT, INCIDENTAL, OR CONSEQUENTIAL DAMAGES, INCLUDING WITHOUT LIMITATION, LOST REVENUES OR LOST PROFITS, WHICH MAY RESULT FROM THE USE OF THESE MATERIALS.

Mindspeed products are not intended for use in medical, lifesaving or life sustaining applications. Mindspeed customers using or selling Mindspeed products for use in such applications do so at their own risk and agree to fully indemnify Mindspeed for any damages resulting from such improper use or sale.