

## 5300 Series

HDMI RIGHT ANGLE HEADER 19PIN SMT  
TYPE TOP SCREW

### Ordering Information

5300 - XX9 - 03X - XX

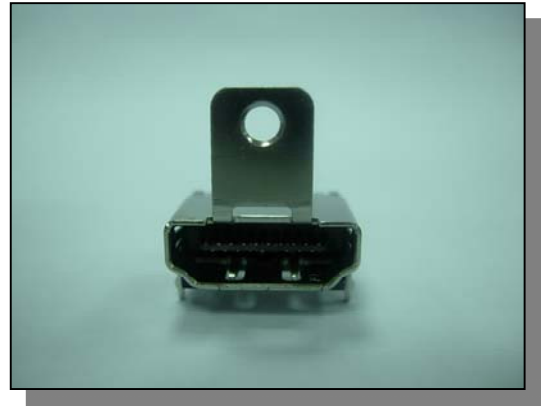
Contact Area Plating:  
0:Gold/Flash/Tin  
5:15u"Gold/Tin  
3:30u"Gold/Tin

Shell Plating:  
1:50u"Ni  
2:100u" Tin over 50u" Ni  
3:Glod plating over all

No of Contact : 19Pin

51:Shell Without  
Salient Point, Bright Tin  
52:Shell With  
Salient Point, Bright Tin  
E1:Shell Without  
Salient Point, Matte Tin  
E2:Shell With  
Salient Point, Matte Tin

Packing Type: 1- Tray  
2-Reel



### Dimensions

### Specification

#### Material:

- ◆ **Insulator:**  
Thermoplastic UL 94V-0  
Color : Black
- ◆ **Contact:** Copper Alloy
- ◆ **Shell :** Copper Alloy

#### Electrical:

- ◆ **Contact Current Rating:** 0.5 A.
- ◆ **Rated voltage:**40V AC.
- ◆ **Dielectric Withstanding Voltage:**  
500V AC
- ◆ **Contact Resistance:**  
Contact (30 Milliohms Max.)  
Shell (50 Milliohms Max.)
- ◆ **Insulation Resistance:**  
100 Megaohms Min.(Unmated)  
10 Megaohms Min.(Mated)

#### Mechanical:

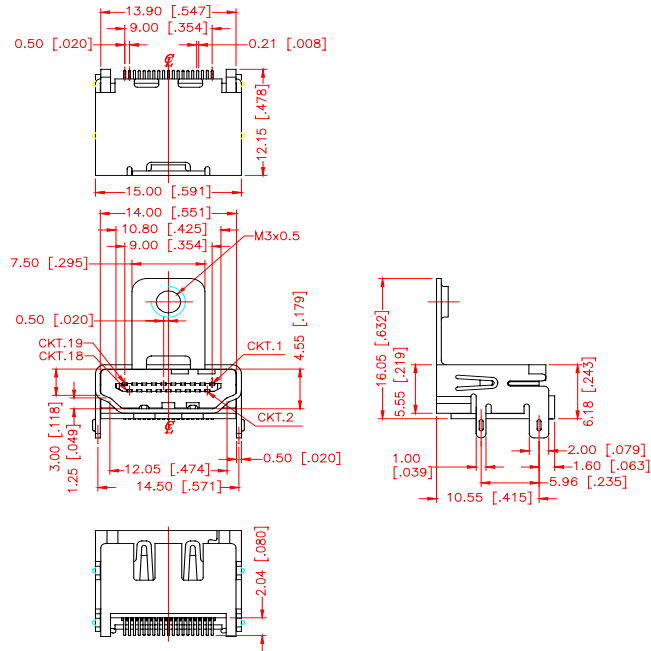
- ◆ **Insertion Force:**4.5Kg<sup>f</sup> (MAX)
- ◆ **Withdrawal Fore:** 0.5 Kg<sup>f</sup> ~ 4.0 Kg<sup>f</sup>
- ◆ **Durability :** 10,000 Cycles.

#### Enviromental:

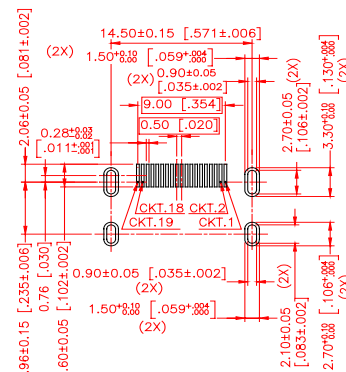
- ◆ **Temperature range:** -20°C to + 85°C

- ❖ All Dimensions are shown in in/mm.
- ❖ The above ordering data is for our standard products.  
For Non-Standard products, please contact  
TEKCON Electronics Corporation.

### 5300-XX9-03X-XX Series Dimensions



### RECOMMENDED P.C.B. LAYOUT



\* ALL DIMENSIONS ARE SHOWN IN in/mm.