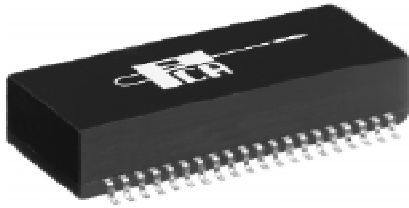


# 10/100 Base-X Module for Broadcom BCM5203 Multi-Port Applications

## EPF8062S



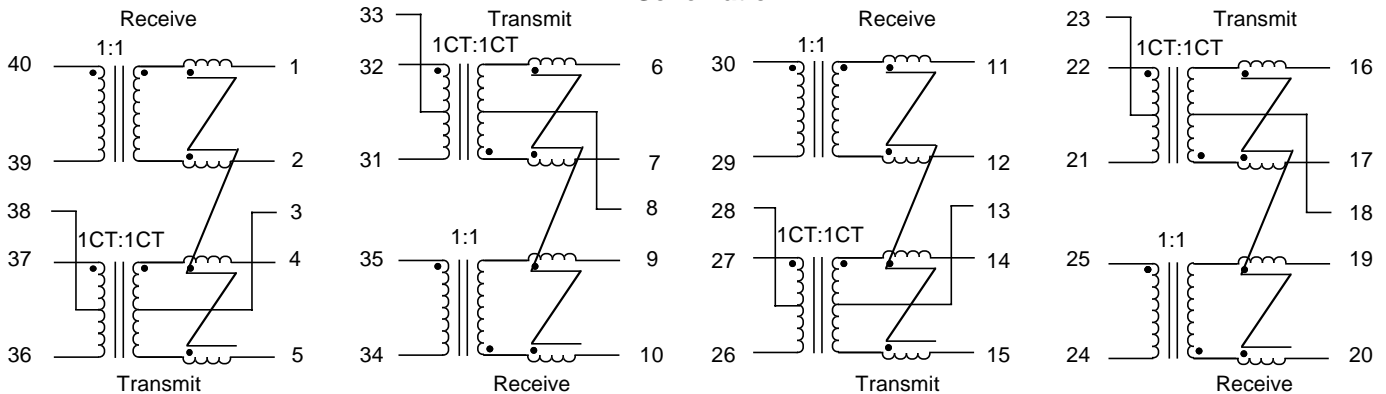
- Significantly improved common mode attenuation •
- Guaranteed to operate with 8 mA DC bias at 70°C •
- Complies with or exceeds IEEE 802.3, 10 BT/100 BX Standards •

### Electrical Parameters @ 25° C

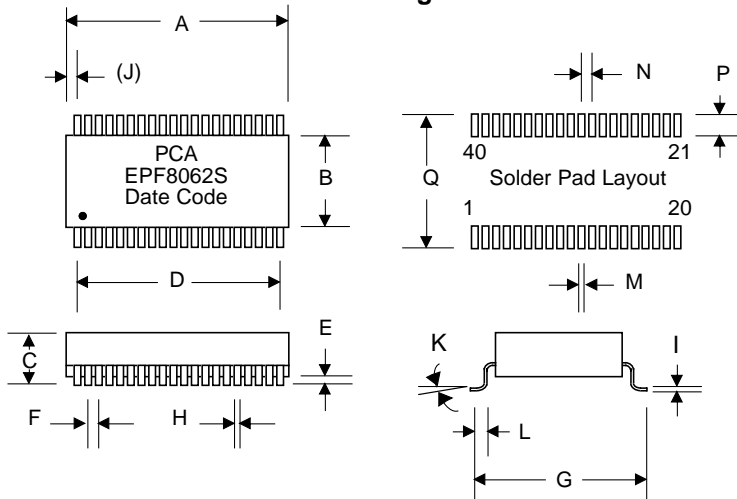
OCL @ 70°C	Insertion Loss (dB Max.)						Return Loss (dB Min.)						Common Mode Rejection (dB Min.)						Crosstalk (dB Mir)		
	0.1-80 MHz		100 MHz		150 MHz		1-30 MHz		60 MHz		100 MHz		30-100 MHz		200 MHz		300 MHz			500 MHz	
100 KHz, 0.1 Vrms 8 mA DC Bias	Xmit	Rcv	Xmit	Rcv	Xmit	Rcv	Xmit	Rcv	Xmit	Rcv	Xmit	Rcv	Xmit	Rcv	Xmit	Rcv	Xmit	Rcv	Xmit	Rcv	0.1-10 MHz
350µH	-1	-1	-1	-1	-3	-3	-18	-18	-18	-18	-10	-10	-30	-15	-15	-10	-10	-5	-10	---	-30

- Isolation : 1500 Vrms • Impedance : 100 Ω • Rise Time : 3.0 nS Max. • Shared choke for both TX and RCV •

### Schematic



### Package



### Dimensions

Dim.	(Inches)			(millimeters)		
	Min.	Max.	Nom.	Min.	Max.	No
A	1.110	1.130		28.19	28.70	
B	.475	.485		12.06	12.32	
C	.215	.225		5.46	5.72	
D	.940	.960		23.88	24.38	
E	.005	.015		.127	.381	
F	.046	.054		1.17	1.37	
G	.620	.640		15.75	16.26	
H	.017	.021		.432	.533	
I	.010	Typ.		.254	Typ.	
(J)	.085	Typ.		2.16	Typ.	
K	0°	8°		0°	8°	
L	.030	.040		.762	1.02	
M			.030			.762
N			.050			1.27
P			.080			2.03
Q			.645			16.39