

General Specifications

Motor Protection: Auto Restart/Polarity Protection
 Insulation Resistance: 10M Ohm or over with a DC500V Megger
 Dielectric Withstand Voltage: AC 700V 1st
 Allowable Ambient Temperature Range:
 -10 degree C ~ +70 degree C (Operating)
 -40 degree C ~ +70 degree C (Storage)
 (non-condensing environment)

Material

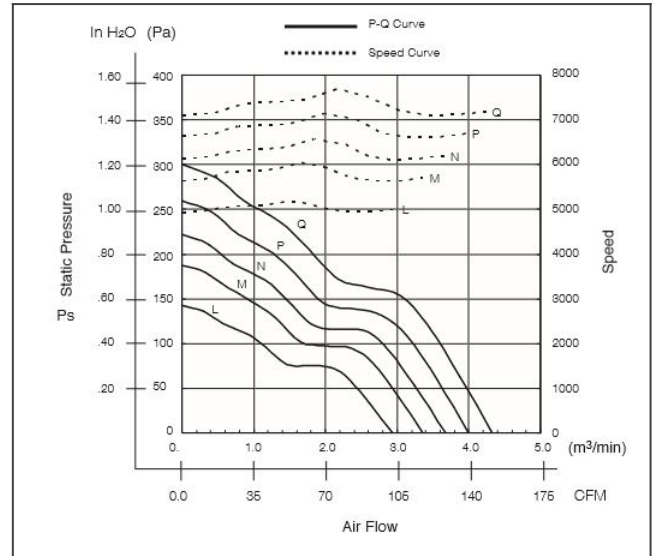
Casing: Plastic (Black) UL94V-0
 Impeller: Plastic (Black) UL94V-0
 Lead Wire: UL3385, AWG26, +Red, -Black

order part 09238RA-48L-EA-00 Ball Bearing Fan DC Fans

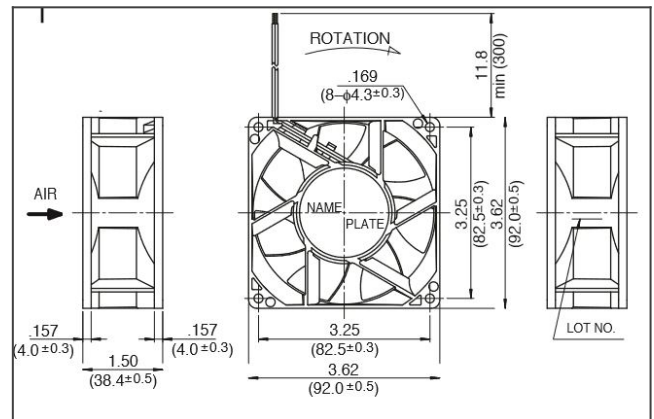


DC Fans

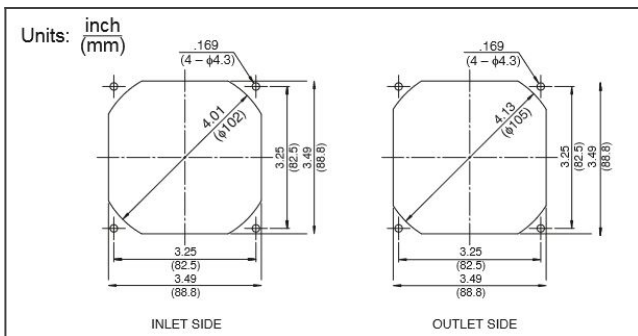
09238RA characteristic curve



09238RA product drawing



09238RA panel cut out



Detailed Specifications

DC Fans

Expected Life:	25 degree C 100,000 Hours (L10)
DC Fan:	Ball Bearing Fan
Nominal Voltage:	48[V]
Operating Voltage Lower:	36[V]
Operating Voltage Upper:	55.2[V]
Industry:	Food Processing / Power Tools / Industrial Machines
Current:	0.21[A]
Input Power:	10.1[W]
Speed:	5000[min^{-1}]
Max. Air Flow:	2.94[m^3/min]
Max. Air Flow:	103.8[CFM]
Max. Static Pressure:	142[Pa]
Max. Static Pressure:	0.57[In H ₂ O]
Noise:	52.5[dB]
Mass:	230[g]
Fan Size:	92[mm]
Fan Width:	38[mm]
Life Expectancy L10:	25 degree C 100,000 Hours (L10)
Series:	09238RA