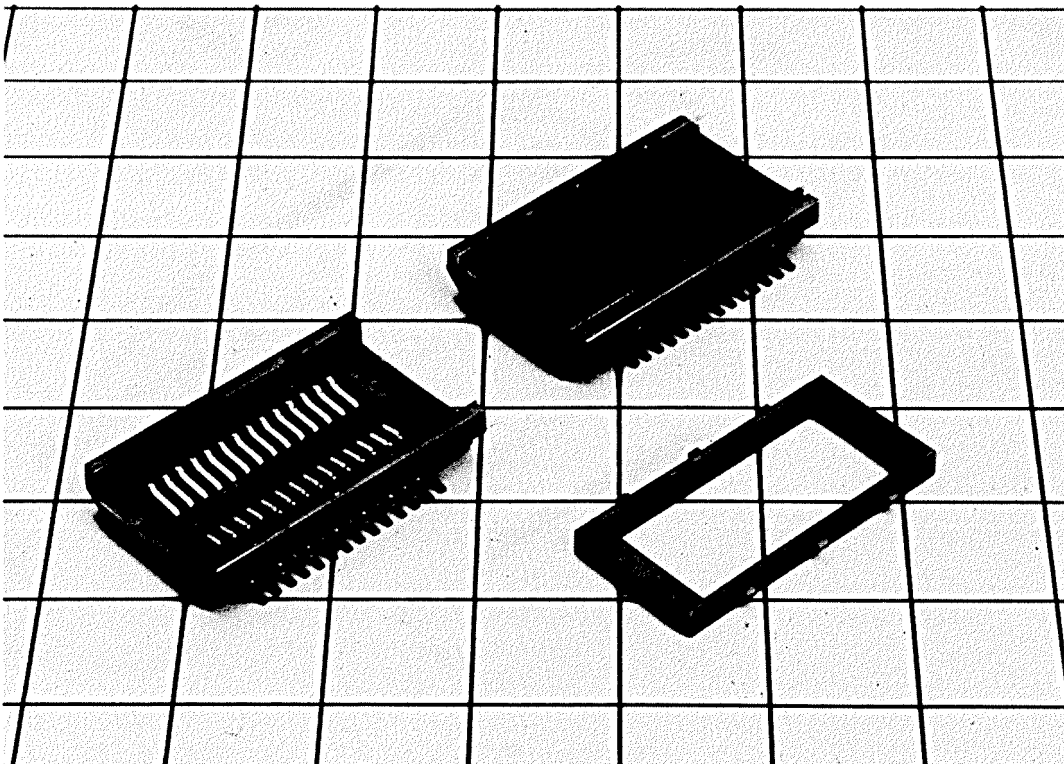


# **HRS** DL3 SERIES SMT IC SOCKET FOR SMT SOP (small outline package) IC CHIPS

## ■ INTRODUCTION

The DL3A series 1.27mm (0.050) pitch IC socket designed for the SOP IC chip. This device fills the void of the easily replaceable SMT IC chip, without sacrificing

the high density and miniaturization demanded by today's designs.



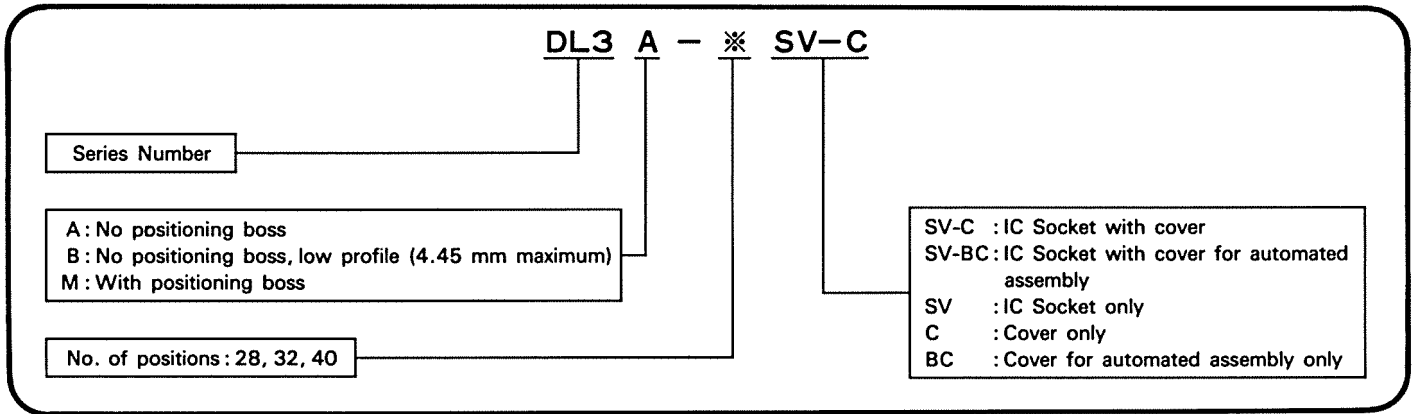
## ■ FEATURES

1. IC socket specifically for SMT applications.
2. Low profile, less than 5mm in height with IC chip in place.
3. Available with cover for automated assemble.
4. Electrical and mechanical integrity is insured by unique contact design.
5. Available in 28, 32 and 40 positions.

## ■ APPLICATION

— For computers, peripherals or OA devices.

## ORDERING FORMAT



## MATERIAL

Item	Material
Insulator	PPS resin (UL94V-0)
Contact	Phosphor Bronze, Tin / Lead plating

## ELECTRICAL

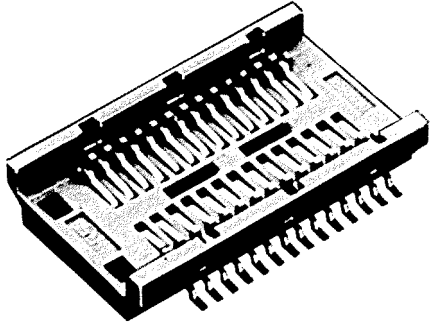
Item	Specification
Current rating	0.5A
Voltage rating	50VAC
Insulation resistance	more than 1,000 mega-ohms at 300VDC
Withstanding voltage	300VAC
Contact resistance	Less than 30 mm-ohms at 0.1A DC

## TEMPERATURE RATING

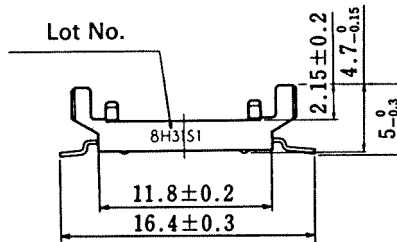
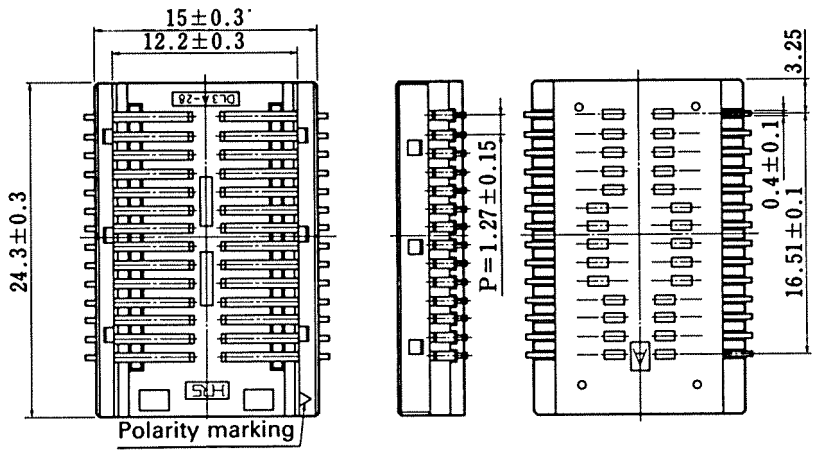
245 to 260 degrees centigrade for more than 10 secones. Rated for V.P.S., IR, and Heat blow soldering methods.

# 28 POSITION SOCKET

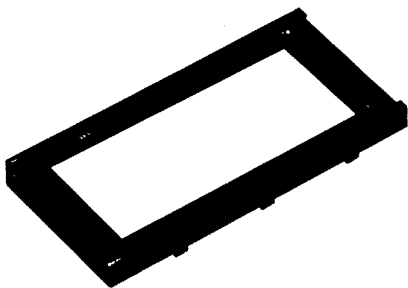
## ● Socket



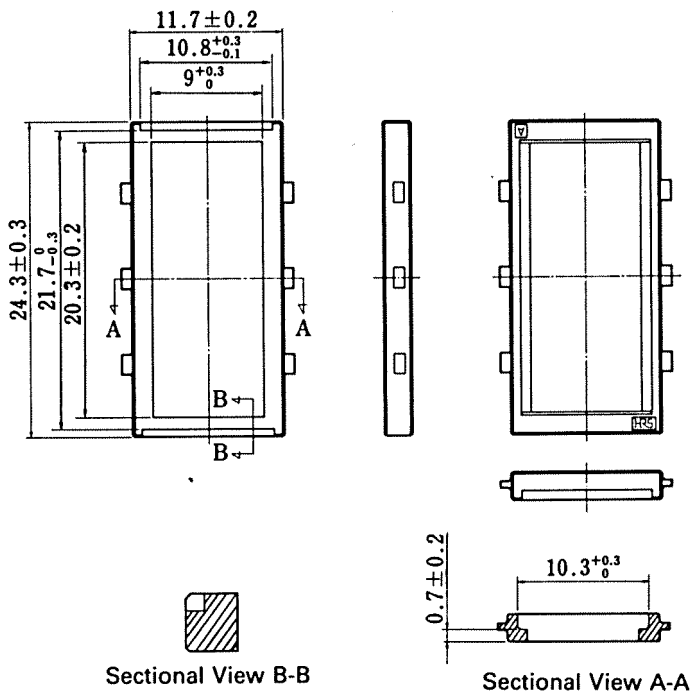
CL582-0110-0  
DL3A-28SV

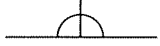


## ● Cover

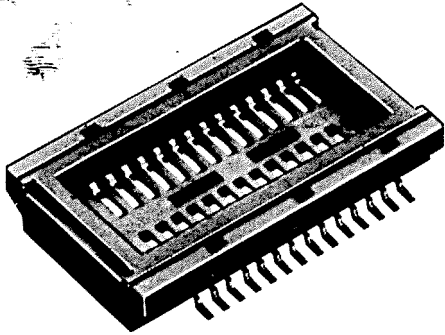


CL582-0113-9  
DL3A-28C

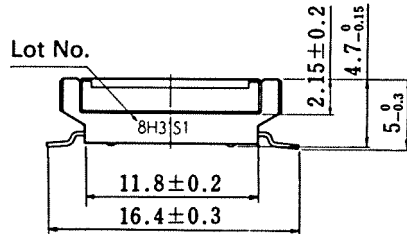
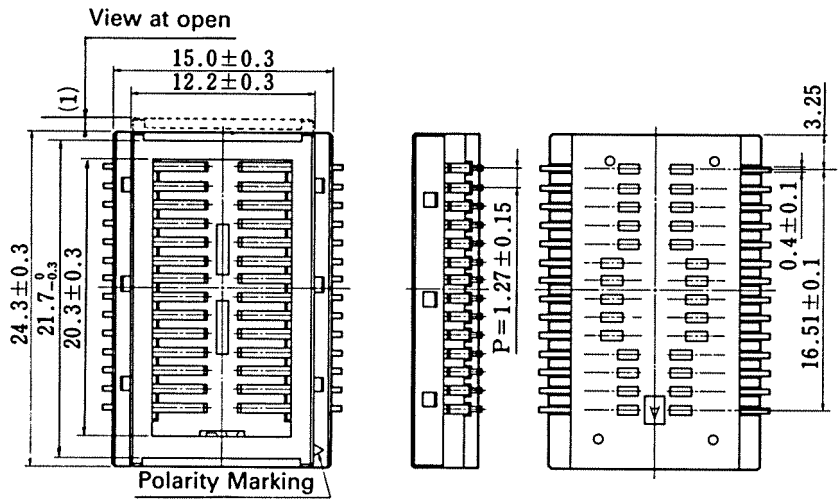




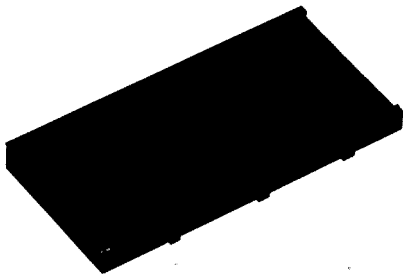
● Socket with cover case



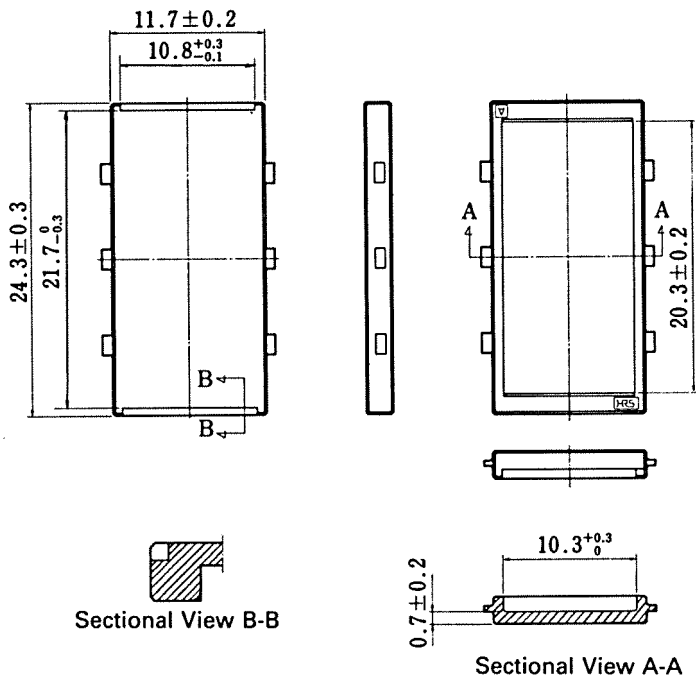
CL582-0111-3  
DL3A-28SV-C



● Cover for Automated Mounting



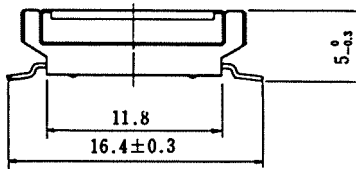
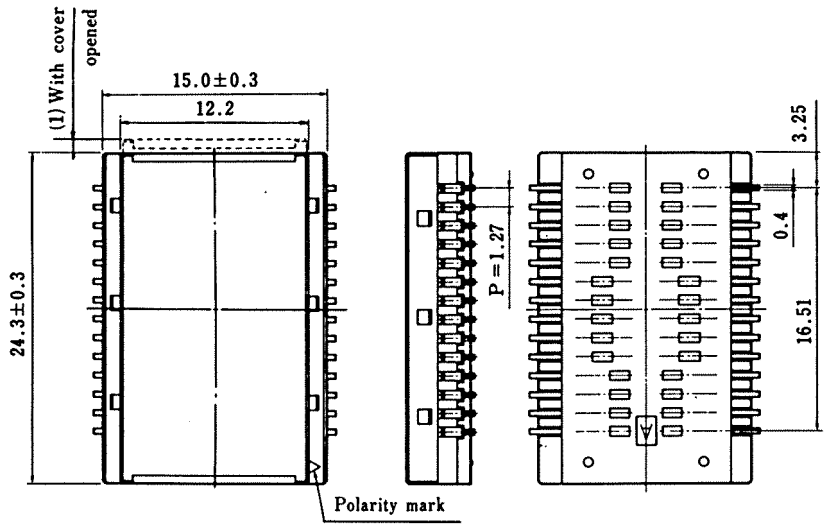
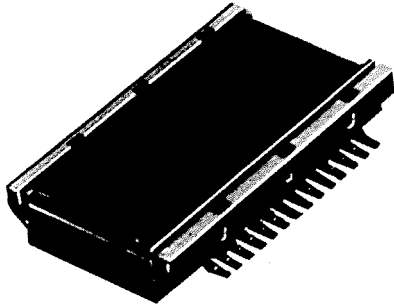
CL582-0114-1  
DL3A-28BC





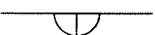
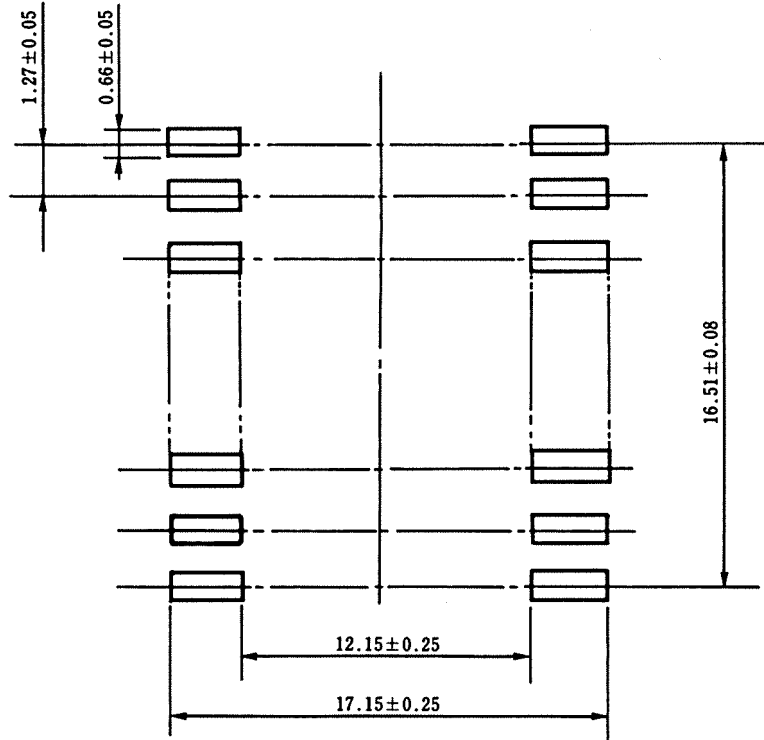
● Socket with automatic packaging cover

DL3A-28SV-BC  
CL582-0112-6



Printed circuit board dimensional drawing (component side)

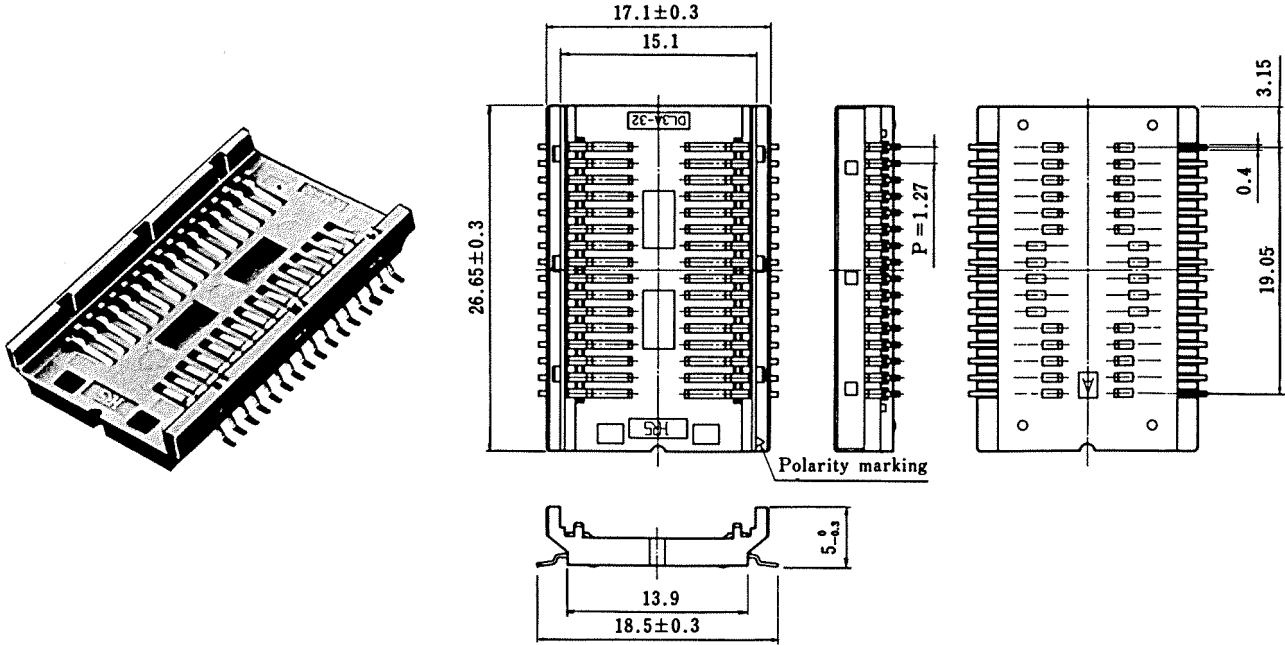
28 contacts



# Dimensional drawing

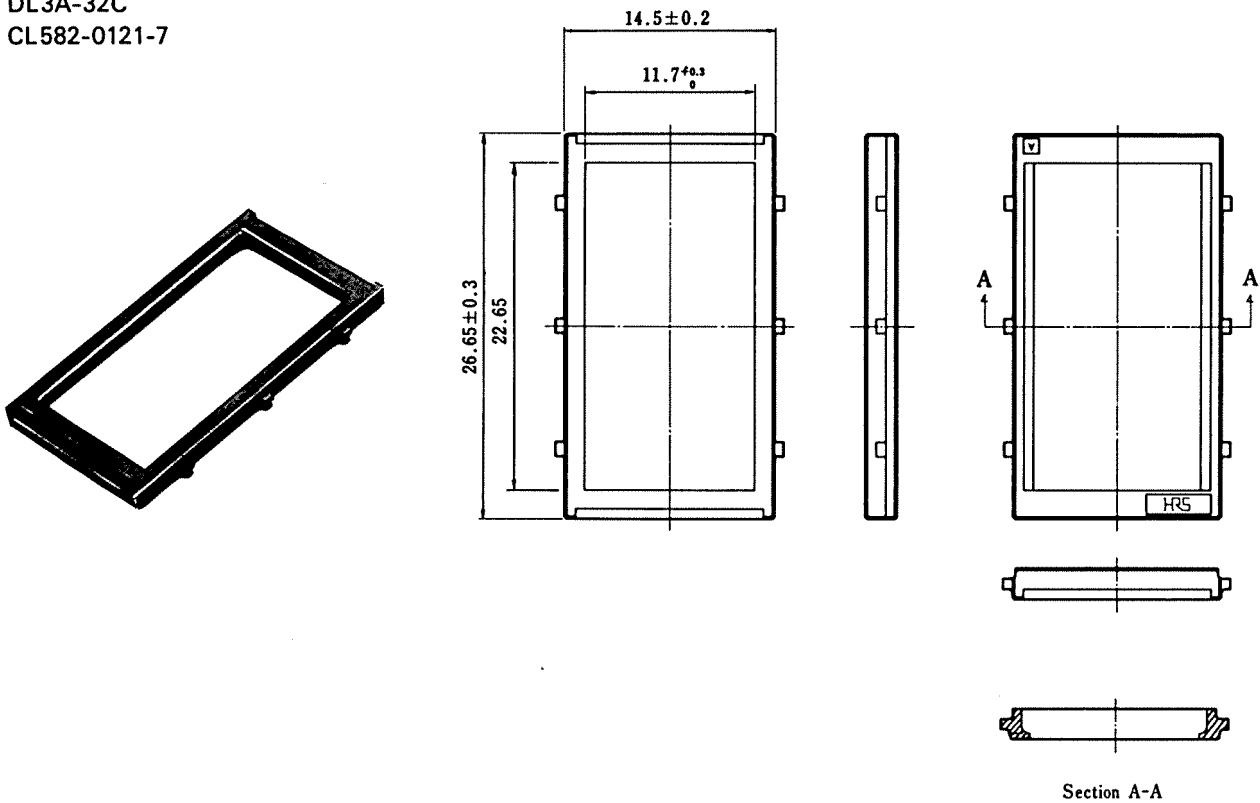
## ● Socket

DL3A-32SV  
CL582-0120-4



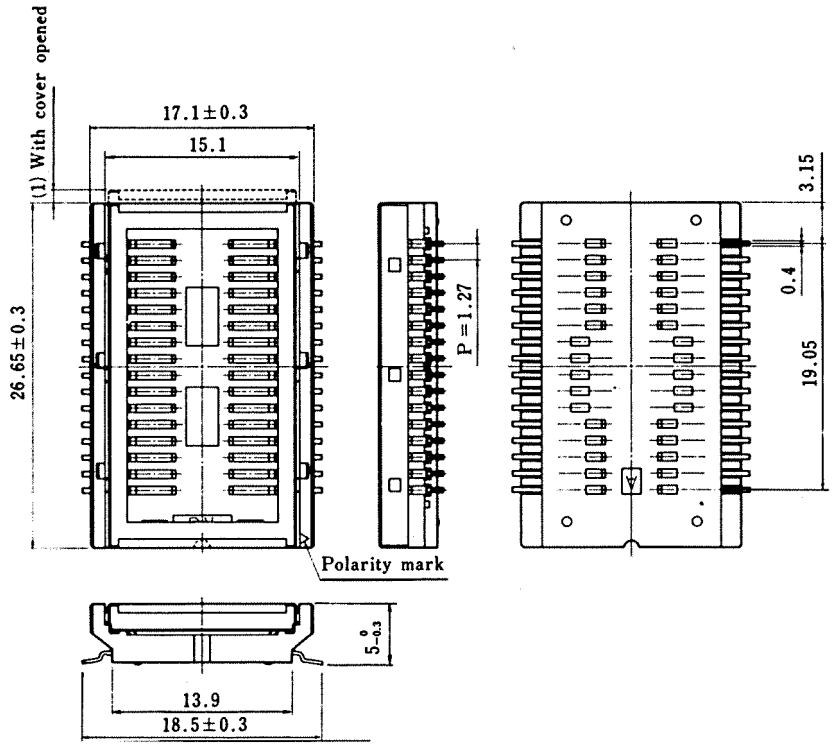
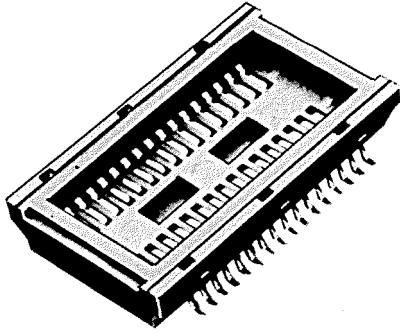
## ● Cover

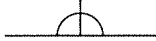
DL3A-32C  
CL582-0121-7



● Socket with cover

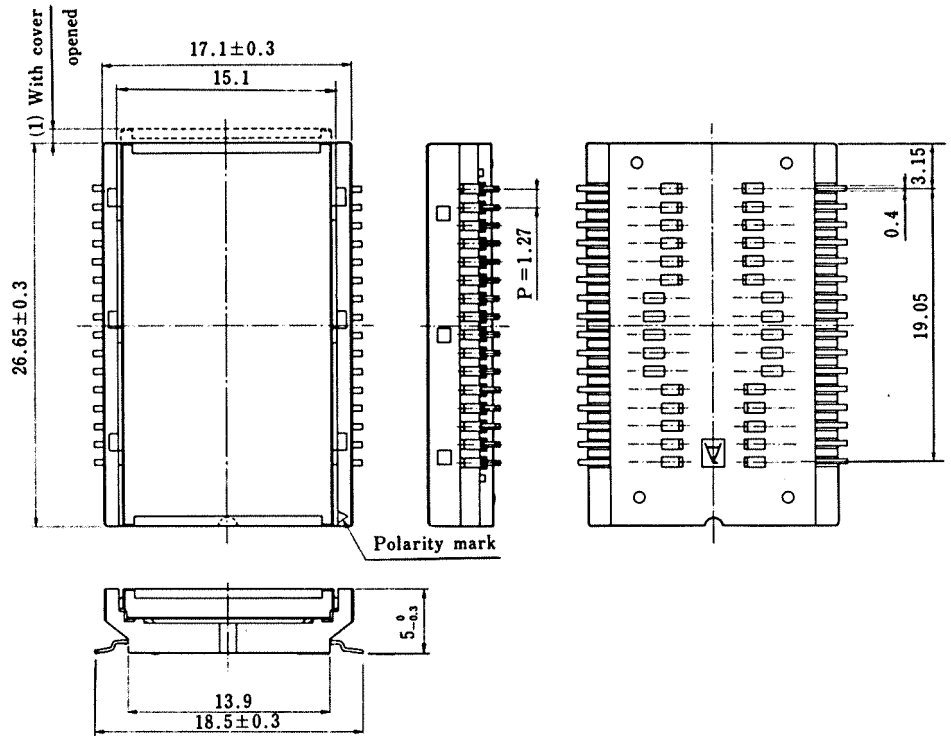
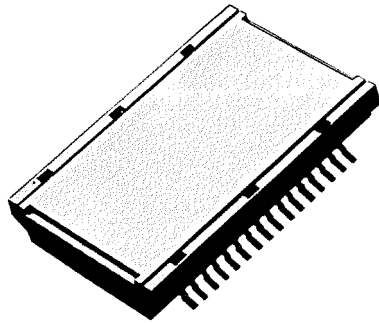
DL3A-32SV-C  
CL582-0122-0





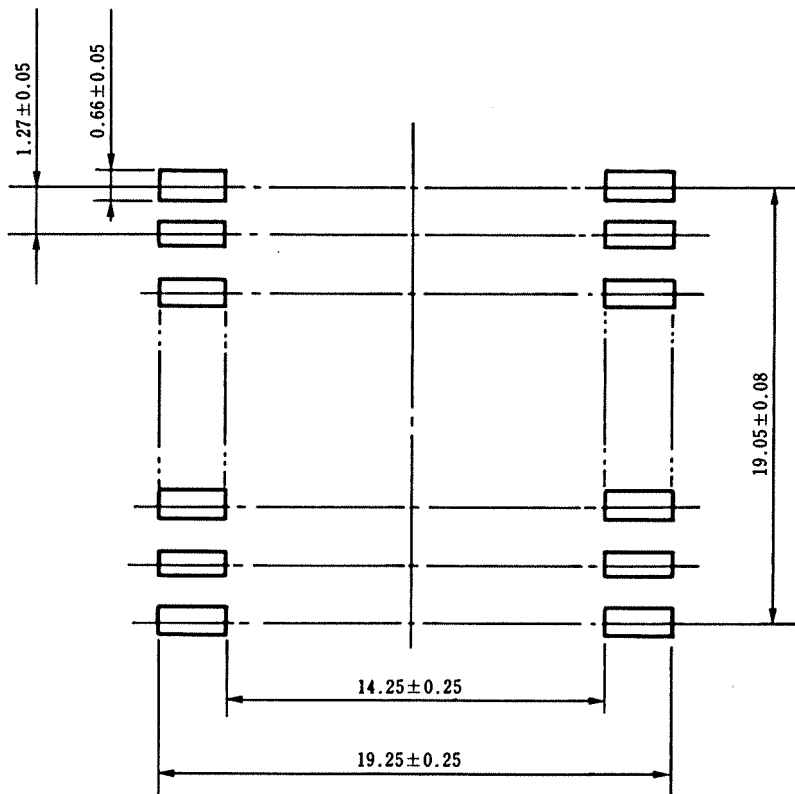
● Socket with automatic packaging cover

DL3A-32SV-BC  
CL582-0124-5



Dimensional drawing of printed circuit board (component side)

32 contacts

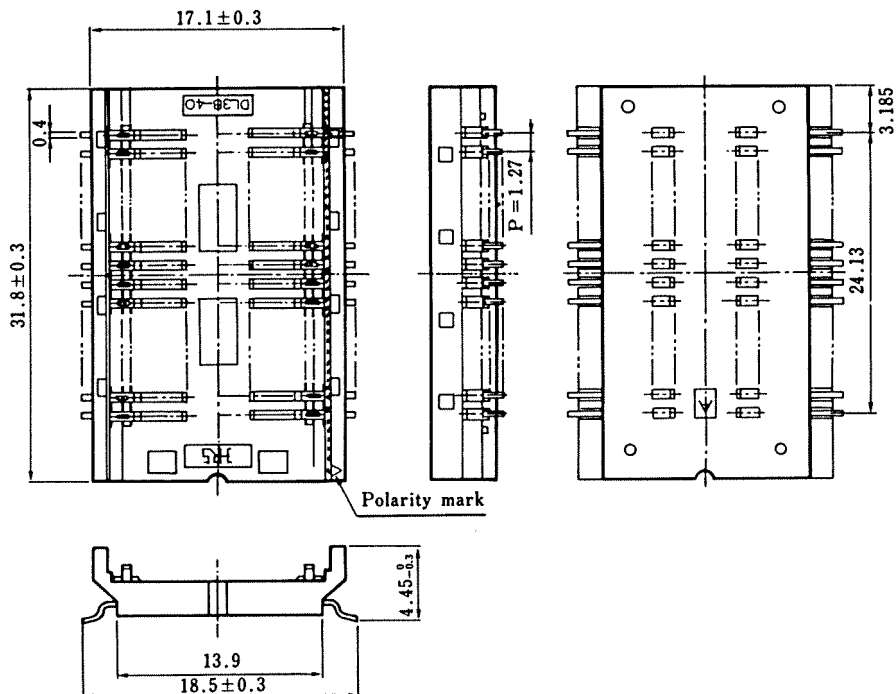
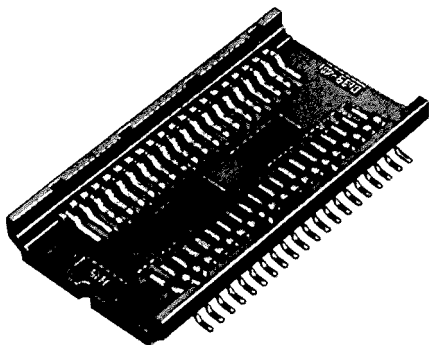


## Dimensional drawing [40 contacts, Package thickness : 4.45mm or less

The DL3B series uses a super-low profile design with a package thickness of 4.45mm or less.

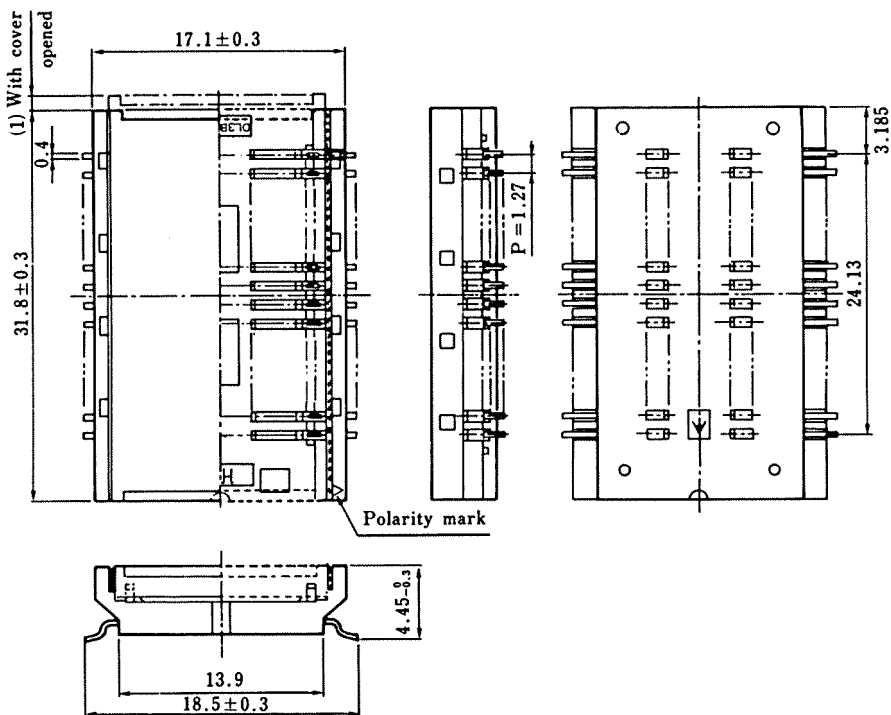
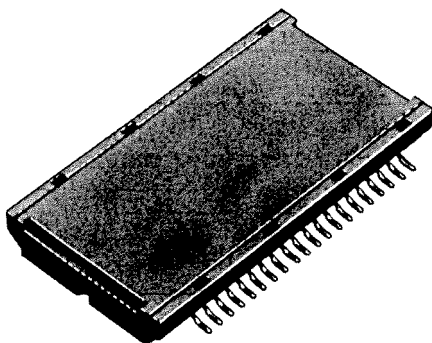
### ● Socket

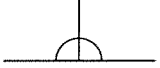
DL3B-40SV  
CL582-0160-9



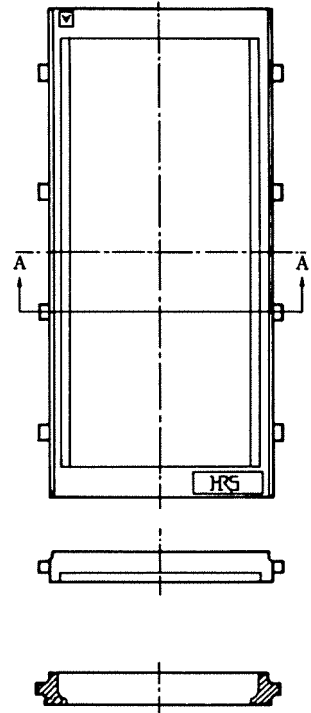
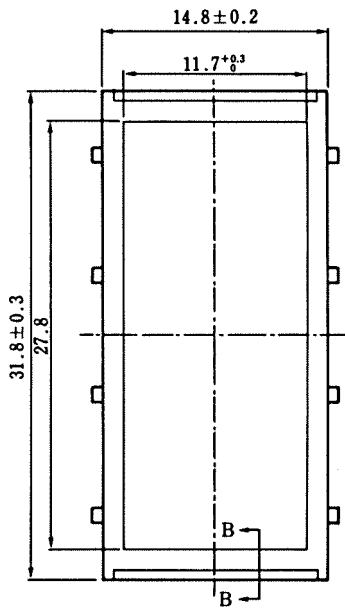
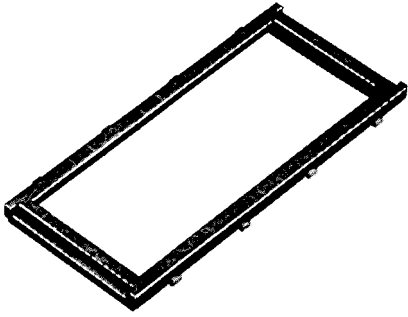
### ● Socket with automatic packaging cover

DL3B-40SV-BC  
CL582-0161-1





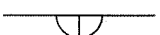
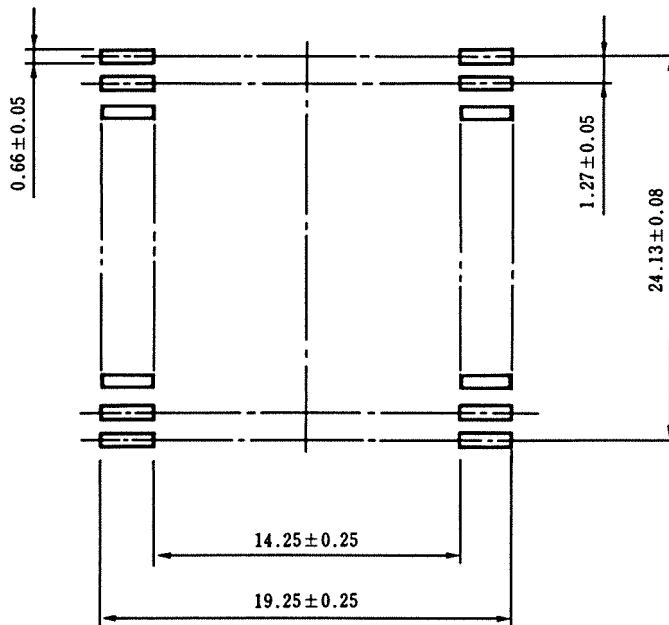
● Cover  
DL3B-40C  
CL582-0162-4



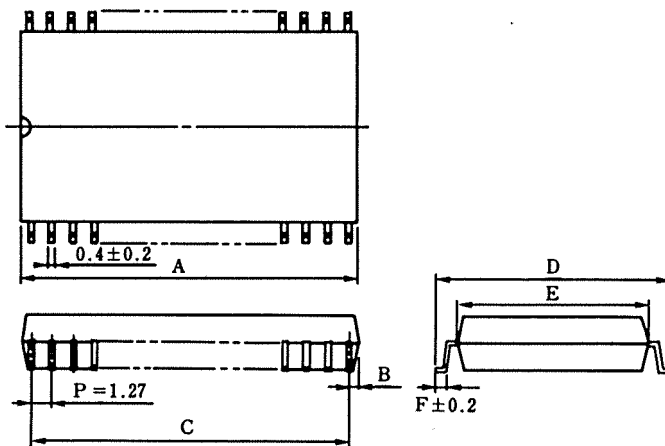
Section A-A

**Dimensional drawing of printed circuit board (component side)**

40 contacts, Package thickness : 4.45mm or less



## Applicable SOP recommended dimensions

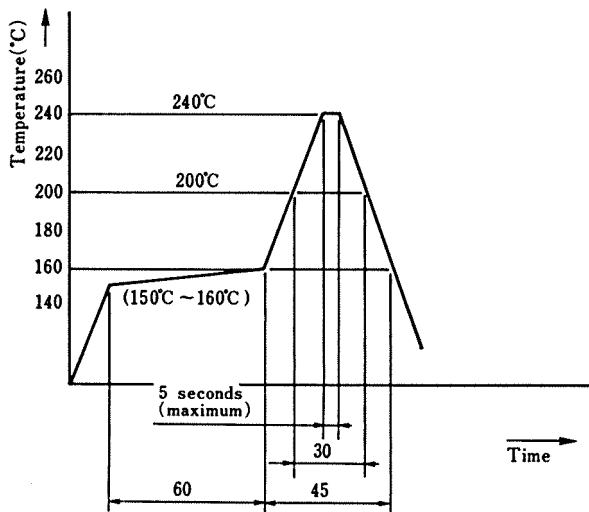


Unit : mm

No. of pins	A	B	C	D	E	F
28	MAX 19.05	MAX 1.27	16.51	11.8 ± 0.4	MAX 9.0	1.0
32	MAX 21.59	MAX 1.27	19.05	14.1 ± 0.3	MAX 11.7	0.8
40	MAX 26.67	MAX 1.27	24.13	14.1 ± 0.3	MAX 11.7	0.8

## Packaging temperature profile (recommended)

### • VPS reflow and IR reflow



#### Note:

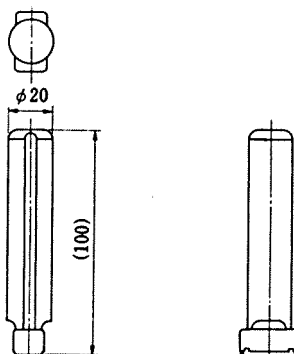
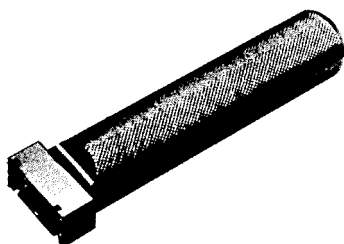
1. This is a "recommended" profile. It should change depending on types and volumes of solder paste.
2. VPS (Vapor Phase Solder) reflow  
IR (Infrared) reflow

### • Manual soldering

Iron tip temperature : 300°C ± 10°C

Manual soldering time : 3 seconds (maximum)

## Insertor/extractor



	Product No.
For 28 contacts	DL3-28S-CSR
For 32 contacts	DL3A-32S-CSR
For 40 contacts	DL3B-40S-CSR

CAUTION : Be sure to use a tool when inserting or extracting connectors.