

SACC-CI-M12FS-8CON-L180-10G - Contact insert



1402457

<https://www.phoenixcontact.com/us/products/1402457>

Please be informed that the data shown in this PDF document is generated from our Online Catalog. Please find the complete data in the user documentation. Our General Terms of Use for Downloads are valid.



Contact insert, Ethernet CAT6_A, 8-position, Socket, straight, M12, coding: X , PCB mounting, THR solder connection, Alternative product in accordance with RoHS II without Exemption 6c (Pb <0.1%) item no.: 1238675

Your advantages

- Reduced mounting costs thanks to two-piece device connector
- Packaging available for automated pick and place assembly
- All common pin assignments and codings available
- Easy device integration thanks to mechanical port screw connections with threaded attachment, press-in contour or direct integration in the front plate
- Compatible with connectors with screw or push-in connection

Commercial Data

Item number	1402457
Packing unit	1 pc
Minimum order quantity	20 pc
Sales Key	AB23
Product Key	ABQCBF
Catalog Page	Page 90 (C-2-2013)
GTIN	4046356615907
Weight per Piece (including packing)	4.657 g
Weight per Piece (excluding packing)	3.9 g
Customs tariff number	85366990
Country of origin	DE

Technical Data

Notes

Notes on operation	The electrical and mechanical data specified assume that the connector pair is correctly locked and mounted. If the connector is unlocked and if there is a danger of contamination, the connector must be sealed using a protective cap > IP54. Influences arising from litz wires, cables or PCB assembly must also be taken into consideration.
--------------------	--

Product properties

Product type	Contact insert
Number of positions	8
Shielded	yes
Coding	X

Insulation characteristics

Overvoltage category	III
Degree of pollution	3

Electrical properties

Rated surge voltage	1.5 kV
Contact resistance	≤ 5 mΩ
Insulation resistance	> 100 MΩ
Nominal voltage U_N	50 V AC
	60 V DC
Nominal current I_N	0.5 A

Interfaces

Signal type/category	Ethernet CAT6 _A
----------------------	----------------------------

Material specifications

Material	Zinc die-cast (nickel-plated)
Flammability rating according to UL 94	V0
Contact material	Copper alloy
Contact surface material	Gold
Contact carrier material	PPA

Connector

Connection 1

Head design	Socket
Head cable outlet	straight
Head thread type	M12
Coding	X

SACC-CI-M12FS-8CON-L180-10G - Contact insert



1402457

<https://www.phoenixcontact.com/us/products/1402457>

Cable/line

Shielded	yes
Signal type/category	Ethernet CAT6 _A

Mechanical properties

Mechanical data

Insertion/withdrawal cycles	> 100
-----------------------------	-------

Environmental and real-life conditions

Ambient conditions

Degree of protection (when plugged in)	IP67 (correctly plugged in and locked)
Degree of protection	IP67 (correctly plugged in and locked) IP67, when plugged in
Ambient temperature (operation)	-40 °C ... 90 °C

Standards and regulations

M12

Standards/specifications	IEC 61076-2-109
--------------------------	-----------------

Mounting

Mounting type	PCB mounting
---------------	--------------

Packaging specifications

Type of packaging	Blister
-------------------	---------

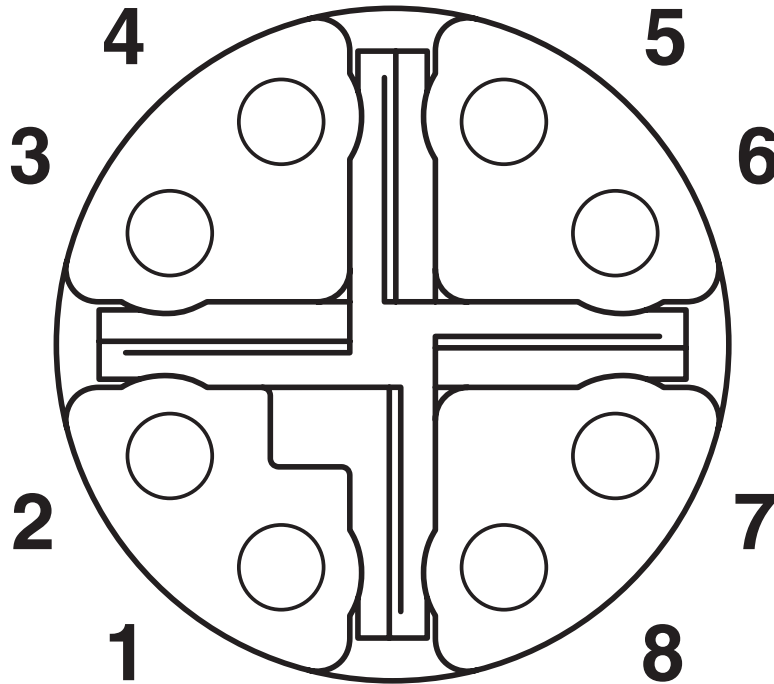
SACC-CI-M12FS-8CON-L180-10G - Contact insert

1402457

<https://www.phoenixcontact.com/us/products/1402457>

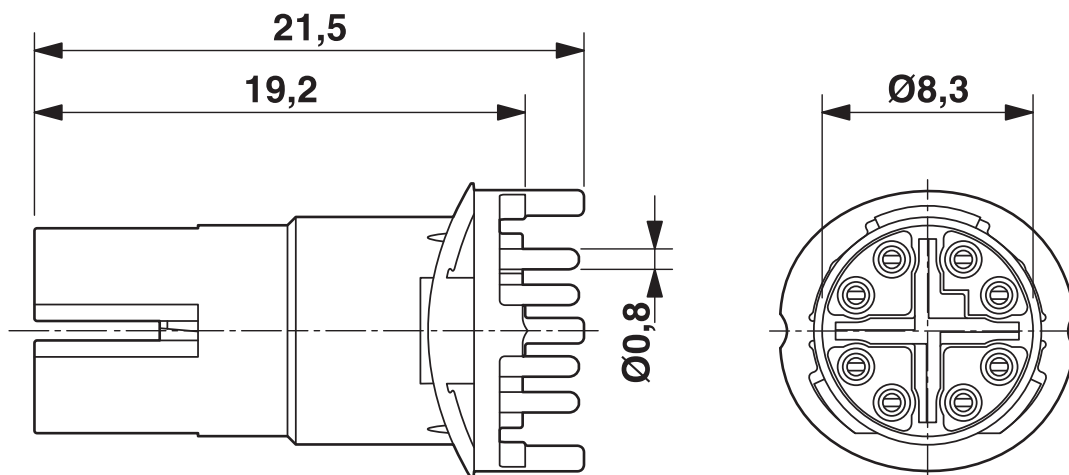
Drawings

Schematic diagram



Pin assignment M12 connector, 8-pos., view socket side

Dimensional drawing



Dimensional drawing

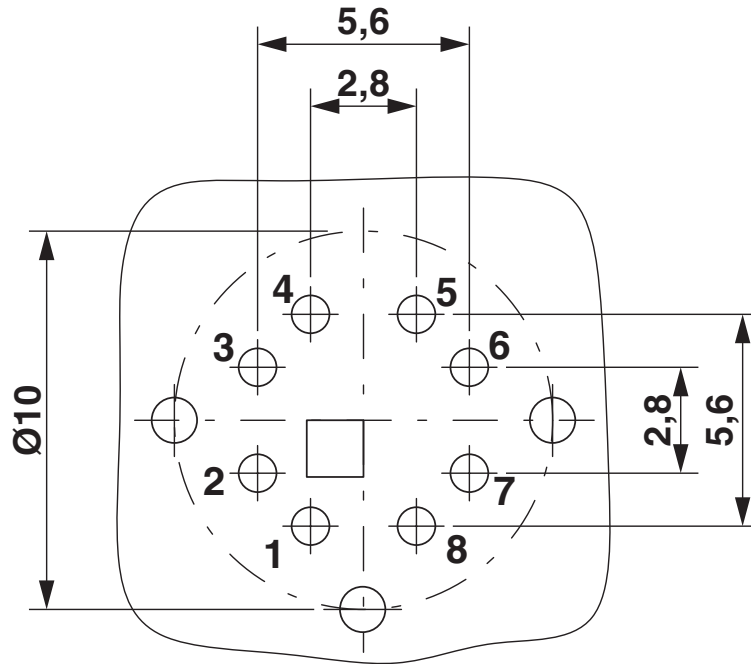
SACC-CI-M12FS-8CON-L180-10G - Contact insert



1402457

<https://www.phoenixcontact.com/us/products/1402457>

Drilling plan/solder pad geometry



Soldering pad geometry


SACC-CI-M12FS-8CON-L180-10G - Contact insert





1402457

<https://www.phoenixcontact.com/us/products/1402457>

Approvals

	cUL Recognized Approval ID: E335024-20120308			
	Nominal Voltage U_N	Nominal Current I_N	Cross Section AWG	Cross Section mm^2
	60 V	0.5 A	-	-

	UL Recognized Approval ID: E335024-20120308			
	Nominal Voltage U_N	Nominal Current I_N	Cross Section AWG	Cross Section mm^2
	60 V	0.5 A	-	-

	EAC Approval ID: B.01687			

SACC-CI-M12FS-8CON-L180-10G - Contact insert



1402457

<https://www.phoenixcontact.com/us/products/1402457>

Classifications

ECLASS

ECLASS-11.0	27440223
ECLASS-12.0	27440116
ECLASS-13.0	27440223

ETIM

ETIM 8.0	EC002635
----------	----------

UNSPSC

UNSPSC 21.0	39121400
-------------	----------

SACC-CI-M12FS-8CON-L180-10G - Contact insert



1402457

<https://www.phoenixcontact.com/us/products/1402457>

Environmental Product Compliance

REACH SVHC	Lead 7439-92-1
China RoHS	Environmentally Friendly Use Period = 50 years
	For information on hazardous substances, refer to the manufacturer's declaration available under "Downloads"

SACC-CI-M12FS-8CON-L180-10G - Contact insert



1402457

<https://www.phoenixcontact.com/us/products/1402457>

Accessories

SACC-CIM12FSX8CONL180THRSAMPLE - Sample set

1422992

<https://www.phoenixcontact.com/us/products/1422992>



Cat6_A flush-type socket, Ethernet, 8-pos., rear mounting, with straight solder connection

SACC-M12-SCO NUT - Housing screw connection

1552243

<https://www.phoenixcontact.com/us/products/1552243>



Housing screw connection, Socket, M12-SPEEDCON, Front mounting, M12 x 1, Alternative product in accordance with RoHS II without Exemption 6c (Pb <0.1%) item no.: 1237399

SACC-CI-M12FS-8CON-L180-10G - Contact insert

1402457

<https://www.phoenixcontact.com/us/products/1402457>



SACC-DSIV-M12-NUT - Device connector front mounting

1416144

<https://www.phoenixcontact.com/us/products/1416144>



Device connector front mounting, Plug, M12, Front mounting, Alternative product in accordance with RoHS II without Exemption 6c (Pb <0.1%) item no.: 1239107

SACC-M12-SCO NUT L 90 - Housing screw connection

1432460

<https://www.phoenixcontact.com/us/products/1432460>



Housing screw connection, Front mounting, M12 x 1, Alternative product in accordance with RoHS II without Exemption 6c (Pb <0.1%) item no.: 1237409

SACC-CI-M12FS-8CON-L180-10G - Contact insert



1402457

<https://www.phoenixcontact.com/us/products/1402457>

SACC-BP-F-M12/M15-6-THR - Housing screw connection

1414004

<https://www.phoenixcontact.com/us/products/1414004>



Housing screw connection, Socket, M12, Rear mounting, M15 x 1, Alternative product in accordance with RoHS II without Exemption 6c (Pb <0.1%) item no.: 1239056

SACC-BP-F-M12/M15-7-THR - Housing screw connection

1414003

<https://www.phoenixcontact.com/us/products/1414003>



Housing screw connection, Socket, M12, Rear mounting, M15 x 1, Alternative product in accordance with RoHS II without Exemption 6c (Pb <0.1%) item no.: 1239055

SACC-CI-M12FS-8CON-L180-10G - Contact insert

1402457

<https://www.phoenixcontact.com/us/products/1402457>



SACC-BP-F-M12/M15-6-THR SCO - Housing screw connection

1414020

<https://www.phoenixcontact.com/us/products/1414020>



Housing screw connection, Socket, M12-SPEEDCON, Rear mounting, M15 x 1,
Alternative product in accordance with RoHS II without Exemption 6c (Pb <0.1%)
item no.: 1239057

SACC-BP-F-M12/M15-7-THR SCO - Housing screw connection

1414005

<https://www.phoenixcontact.com/us/products/1414005>



Housing screw connection, Socket, M12-SPEEDCON, Rear mounting, M15 x 1,
Alternative product in accordance with RoHS II without Exemption 6c (Pb <0.1%)
item no.: 1237398

SACC-CI-M12FS-8CON-L180-10G - Contact insert

1402457

<https://www.phoenixcontact.com/us/products/1402457>



SACC-BP-F-M12/THR-1,0/1,8-9TIP - Housing screw connection

1419630

<https://www.phoenixcontact.com/us/products/1419630>



M12 threaded sleeve with tolerance-compensating function, for straight, THR solderable M12 socket contact inserts. Suitable for 1.0 mm ... 1.8 mm thick front plates.

SACC-BP-F-M12/THR-1,7/2,5-9TIP - Housing screw connection

1419631

<https://www.phoenixcontact.com/us/products/1419631>



M12 threaded sleeve with tolerance-compensating function, for straight, THR solderable M12 socket contact inserts. Suitable for 1.7 mm ... 2.5 mm thick front plates.

SACC-CI-M12FS-8CON-L180-10G - Contact insert



1402457

<https://www.phoenixcontact.com/us/products/1402457>

SACC-BP-F-M12/THR-2,4/3,2-9TIP - Housing screw connection

1419633

<https://www.phoenixcontact.com/us/products/1419633>



M12 threaded sleeve with tolerance-compensating function, for straight, THR solderable M12 socket contact inserts. Suitable for 2.4 mm ... 3.2 mm thick front plates.

SACC-BP-F-M12/THR-3,1/3,9-9TIP - Housing screw connection

1419634

<https://www.phoenixcontact.com/us/products/1419634>



M12 threaded sleeve with tolerance-compensating function, for straight, THR solderable M12 socket contact inserts. Suitable for 3.1 mm ... 3.9 mm thick front plates.

SACC-CI-M12FS-8CON-L180-10G - Contact insert



1402457

<https://www.phoenixcontact.com/us/products/1402457>

SACC-M12 NUT PRESS - Housing screw connection

1437889

<https://www.phoenixcontact.com/us/products/1437889>



Housing screw connection, Socket, M12, Front mounting, THR solder connection, Alternative product in accordance with RoHS II without Exemption 6c (Pb <0.1%) item no.: 1237410

SACC-DSIV-M12-NUT-9 THR - Device connector front mounting

1417989

<https://www.phoenixcontact.com/us/products/1417989>



Device connector front mounting, Front mounting, Alternative product in accordance with RoHS II without Exemption 6c (Pb <0.1%) item no.: 1239181

SACC-CI-M12FS-8CON-L180-10G - Contact insert

1402457

<https://www.phoenixcontact.com/us/products/1402457>



SACC-BP-F-M12-THR PP - Housing screw connection

1027662

<https://www.phoenixcontact.com/us/products/1027662>



Housing screw connection, Socket, M12-Push-Pull, Rear mounting, M16, THR- und Wellenlötkontakte, Item is lead-free in accordance with RoHS II without Exemption 6c (Pb <0.1%)

SACC-FP-F-M12-THR PP - Housing screw connection

1027678

<https://www.phoenixcontact.com/us/products/1027678>



Housing screw connection, Socket, M12-Push-Pull, Front mounting, M14 x 1, THR- und Wellenlötkontakte, Item is lead-free in accordance with RoHS II without Exemption 6c (Pb <0.1%)

Phoenix Contact 2023 © - all rights reserved
<https://www.phoenixcontact.com>

Phoenix Contact USA
586 Fulling Mill Road
Middletown, PA 17057, United States
(+717) 944-1300
info@phoenixcon.com