

# CONTINUOUSLY VARIABLE PHASE TRIMMER

(MECHANICAL) 1-18 GHz

## MODEL PV-18

### GENERAL INFORMATION

A phase trimmer continuously Changes the phase of a microwave signal by varying an adjustment screw.

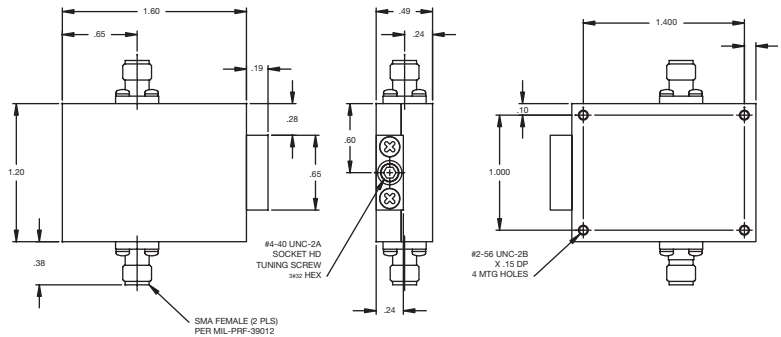
### GENERAL SPECIFICATIONS

**Frequency Coverage** 1- 18GHz

**Phase Shift** 20° minimum/25°Typ at 1GHz 360° minimum/450° Typ at 18GHz (At Maximum Adjustment)

**Phase Adjustment** The Phase is continuously adjustable with a 12 to 15 turn screw. The large number of turns allows for accurate phase settings.

**Insertion Loss** 1dB maximum (1-8GHz)  
1.5dB maximum (8-18GHz)



### GENERAL SPECIFICATIONS (cont)

**RF Power** 3W CW and 3KW Peak max operational.

**Operating Temp** -55° C to +85° C

**Connectors** SMA Female

**Monotonicity** Guaranteed



# 6 – BIT MMIC DIGITAL PHASE SHIFTER

6 BIT – 360° COVERAGE, LSB = 5.6°

## CP SERIES

### GENERAL INFORMATION

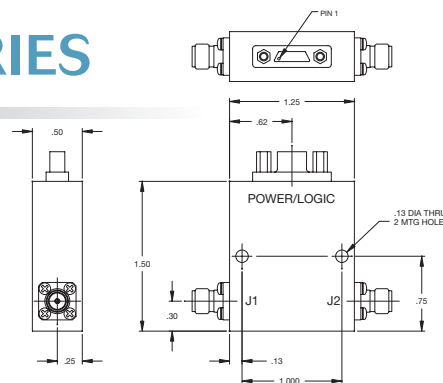
The CP series is base upon a single chip design incorporated in a connectorized package. The unit offers 6 BIT, 360° coverage with the LSB equal to 5.6° with standard TTL Logic.

### GENERAL SPECIFICATIONS

**Connectors** J1, J2 SMA Female Power/Logic MDB1-9SSL 9 Pin female. Power/Logic mating Conn MDB1-9PH001P 9 Pin male to be supplied with unit.

**Finish** Lusterless Blue Epoxy

**Temperature** Operation 0°C to 70°C



| Power Logic |          |
|-------------|----------|
| PIN         | Function |
| 1           | -5V      |
| 2           | 5.6°     |
| 3           | 11.25°   |
| 4           | 22.5°    |
| 5           | 45°      |
| 6           | 90°      |
| 7           | 180°     |
| 8           | GND      |
| 9           | N/A      |

| Model No. | Frequency Range GHz | Phase Shift Degrees | Insertion loss Max dB | Amplitude Ripple Max ±dB | Phase Error (°) | VSWR Max | Outline |
|-----------|---------------------|---------------------|-----------------------|--------------------------|-----------------|----------|---------|
| CP-11     | 1.2 - 1.8           | 360                 | 6                     | ±10                      | 0.75            | 1.5      | 23      |
| CP-14     | 2.5 - 4.0           | 360                 | 6.5                   | ±10                      | 1               | 2        | 23      |
| CP-17     | 3.5 - 5.5           | 360                 | 7                     | ±10                      | 1               | 2        | 23      |
| CP-19     | 8.0 - 11.0          | 360                 | 10                    | ±10                      | 1.5             | 2        | 23      |