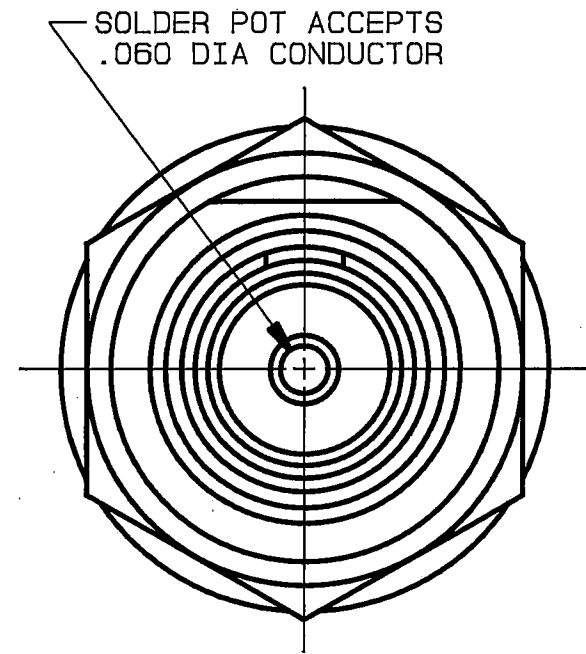
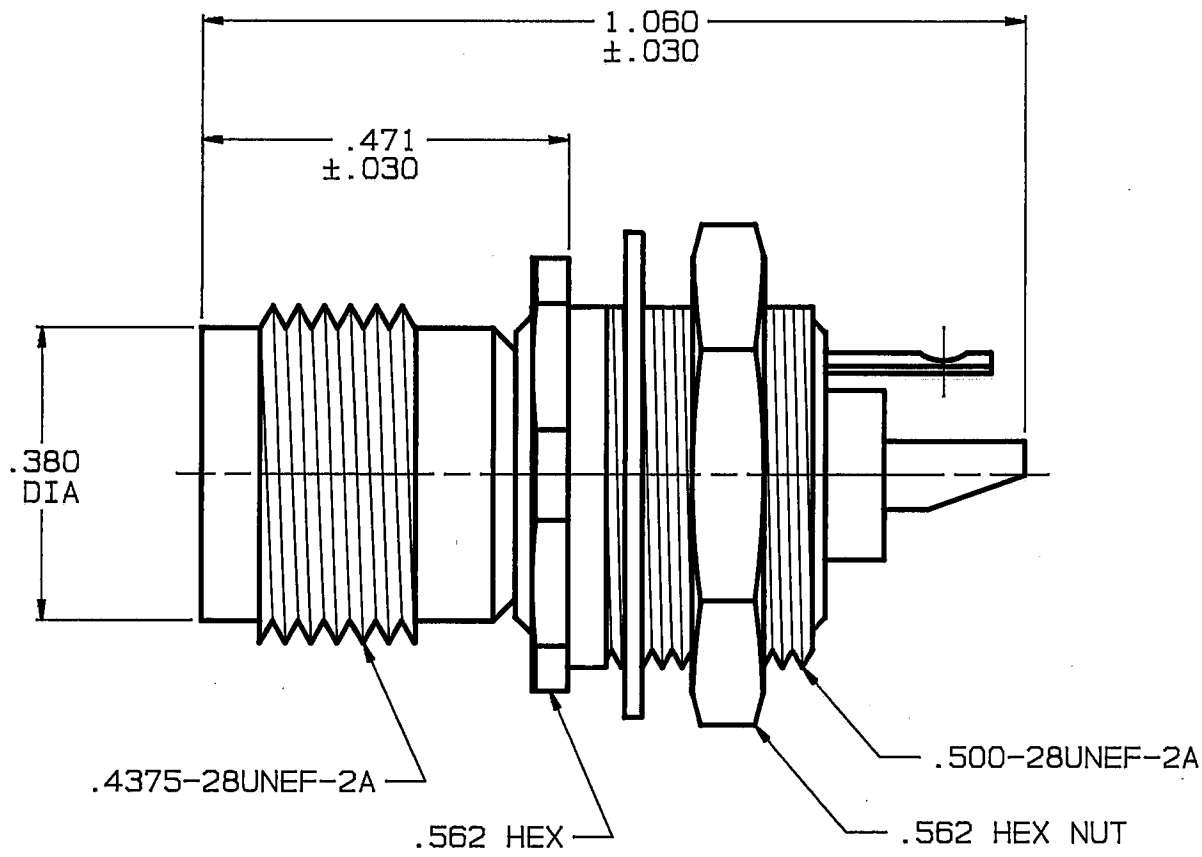


DISK # DWG SIZE DATA CONTAINED IN THIS DOCUMENT IS PROPRIETARY TO TROMPETER ELECTRONICS INC. AND SHALL NOT BE DISCLOSED, COPIED OR USED FOR PROCUREMENT OR MANUFACTURE WITHOUT EXPRESS WRITTEN PERMISSION.

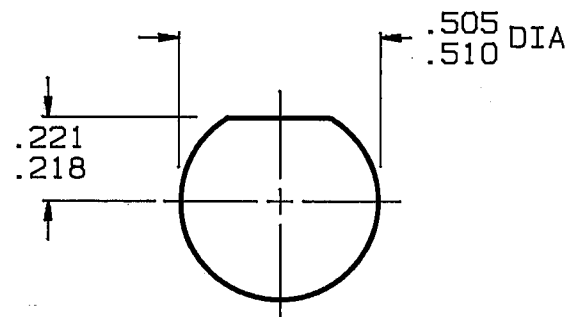
REVISIONS			1-0142		SH 1
REV	EO	DESCRIPTION	DWN	APPROVED	DATE
M	9217	SH 2: NOTE (3) WAS 20 IN/LB	AAH	B.M. <i>[Signature]</i>	3-7-91

DASH NO	MODEL NO	IMPD OHMS
-1	BJ47	50
-2	UBJ47	75

INCH	MM
.005	0.13
.030	0.76
.060	1.52
.147	3.73
.218	5.54
.221	5.61
.380	9.65
.471	11.96
.505	12.83
.510	12.95
.562	14.27
1.060	26.92



-1 SHOWN



RECOMMENDED
PANEL CUTOUT
SCALE: 2/1

4. 50 & 75 OHM COAXIAL TNC TYPE INSULATED SOLDER POT BULKHEAD MOUNT RECEPTACLE
3. MAX PANEL THK: .147
2. FINISH: TFS-1A (NICKEL)
1. ALL DIM ARE IN INCHES

QTY		DESCRIPTION		PART NUMBER		ITEM
TOL UNLESS SPECIFIED		TROMPETER ELECTRONICS, INC.		BJ47 / UBJ47		
.XX ±						
.XXX ± .005						
.XXXX ±						
ANGLES ±						
105-0898	DWN	AAH	2-22-91	MATERIAL	CODE IDENT	DRAWING NO.
105-1048	CHK	B.M.	3-4-91		14949	1-0142
105-1043	ENGR					M
NEXT ASSY	APPR	<i>[Signature]</i>	3-6-91	SCALE 4/1	DATE 7-9-71	SHEET 1 OF 2