

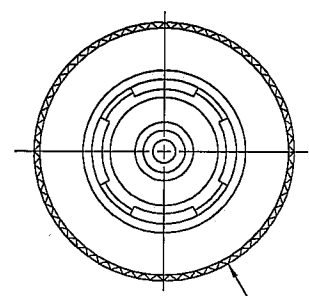
TABLE 1		
DASH NO	MODEL NO	CENTER CONTACT/INTMD CONTACT TYPE
-1	305-1535 P	SOCKET/PIN
-2	305-1535 S	PIN/SOCKET

TABLE 2			
CABLE GROUP NO	CABLES ACCOMMODATED	ASSEMBLE PER	
-201	M17/176-00002	TAI-162	
-202	TWC-78-1, TROMPETER		
-203	TWC-124-1A, TROMPETER		
-204	10602, RAYCHEM		
-205	TWAC-78-1F2, TROMPETER		
-206	782600130, RAYCHEM		
-208	202-3927, MICRODDOT		
-209	202-3942, MICRODDOT		
-212	2524E0114, RAYCHEM		
-217	GC875TM24H GRUMMAN		
-218	EPD22188B, RAYCHEM		
-219	2526D1114, RAYCHEM		
-220	GC875RR1, GRUMMAN		
-221	10614, RAYCHEM		
-222	10613, RAYCHEM		
-223	HMS2-1149, HUGHES		
-303	7528A5314, RAYCHEM		TAI-190

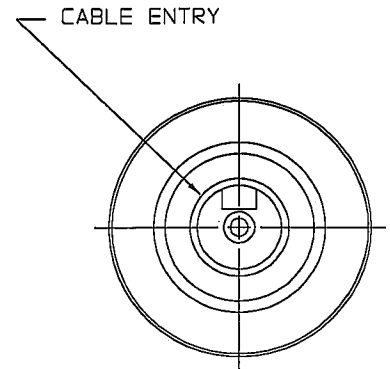
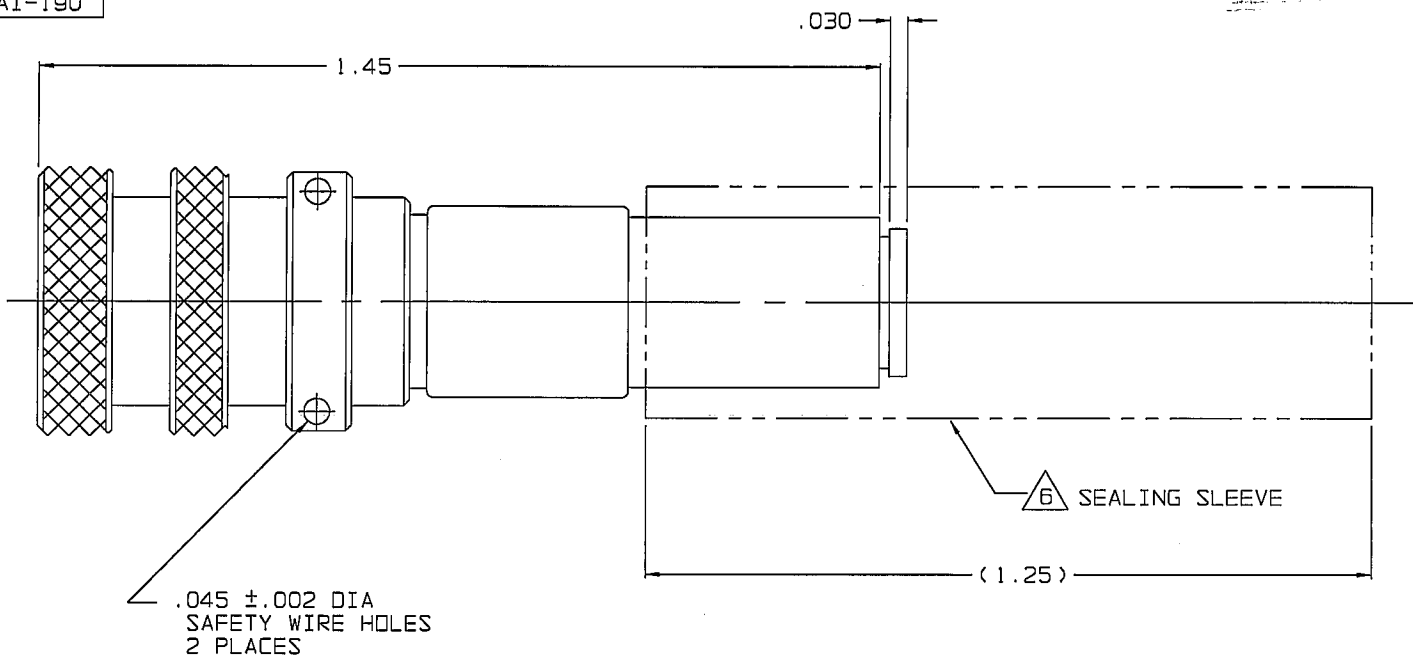
DATA CONTAINED IN THIS DOCUMENT IS PROPRIETARY TO TROMPETER ELECTRONICS INC. AND SHALL NOT BE DISCLOSED, COPIED OR USED FOR PROCUREMENT OR MANUFACTURE WITHOUT EXPRESS WRITTEN PERMISSION OF TROMPETER ELECTRONICS INC.

REVISIONS		305-1535	SH 1
REV	DESCRIPTION	DATE	APPROVED
B	REVISED PER ECO #15387	3/25/04	WJ

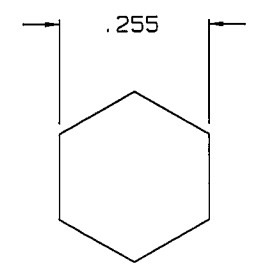
RED INDICATES ORIGINAL



.450 DIA MAX OVER KNURL



CABLE ENTRY



RECOMMENDED
HEX CRIMP

-1 -202 SHOWN

- 7. CHECK WITH CABLE MANUFACTURER FOR OUTGASSING PROPERTIES OF SELECTED CABLE
- 6. ALL MATERIALS MEET THE OUTGASSING REQUIRMENTS OF NASA SPECIFICATION SR-P-0022A AND TEI VACUUM READY SPECIFICATION TT-09
- 5. SEALING SLEEVE & CRIMP BUSHING SUPPLIED LOOSE WITH EACH CONNECTOR; EXCEPT SEALING SLEEVE NOT USED ON -205, -208 & -223

4. EXAMPLE OF COMPLETE PART NO:
 305-1535 - 1 - 201
 BASIC PART NO DASH NO (SEE TABLE 1) CABLE GROUP NO (SEE TABLE 2)

- 3. SPACE RATED CONCENTRIC TWINAX 4 PIECE ASSY, FULL CRIMP CABLE PLUG, SOCKET CENTER CONTACT AND PIN INTERMEDIATE CONTACT OR PIN CENTER CONTACT AND SOCKET INTERMEDIATE CONTACT
- 2. TFS-1U (500 HRS SALT SPRAY; NICKEL)
- 1. ALL DIM ARE IN INCHES

INTERPRET DRAWING PER MIL-STD-100 DIMENSIONS ARE IN INCHES AND INCLUDE FINISH THICKNESS UNLESS OTHERWISE SPECIFIED		TOL: UNLESS SPECIFIED .XX ±.03 .XXX ±.005 .XXXX			TITLE: PL3455ACP/S VACUUM READY
DRAWN PD	DATE 3-23-04	MATERIAL:			
CHECKED T.Khn	DATE 3-24-04	FINISH:		SIZE CAGE CODE	DRAWING NO.
QUALITY WJ	DATE 3/25/04	SCALE 4/1		B 14949	305-1535
MANUF WJ	DATE 3/25/04	DATE: 4-11-02		REV. B	SHEET 1C
APPROVED WJ	DATE 3/25/04	DD NOT SCALE DWG			

NEXT ASSY