



HCMOS 3.2x2.5mm SMD VCXO

Y3H
(former FVM Series)
DATASHEET

- VCXO
- Supply Voltage: 3.3V

Specifications

Parameter	Max unless otherwise specified
Frequency Range	1.25~ 125.000 MHz
Temperature Range	
Operating (T _{OPR})	See Table
Storage (T _{STG})	-55°C ~ +125°C
Frequency Stability	See Table below
Pullability (V _c = 1.65V ± 1.65V)	±100ppm
Supply Voltage (V _{DD})	3.3V ± 10%
Control Voltage (V _c)	1.65V ± 1.65V
Input Current (I _{DD})	
1.25 ~ 50.000MHz	10mA
50+ ~ 80.000MHz	15mA
80+ ~ 100.000MHz	20mA
100+ ~ 125MHz	25mA
Output Symmetry (50% V _{DD})	40% ~ 60%
Rise/Fall Time (20% ~ 80% V _{DD}) (T _R /T _F)	5 nS
Output Voltage (V _{OL})	10%V _{DD}
(V _{OH})	90%V _{DD} Min
Output Load (HCMOS)	15 pF
Start-up Time (T _S)	10 mS
Frequency Linearity	± 10%
Modulation Bandwidth	20 kHz Min
V _c Input Impedance	5MΩ typ

• Available Options by Stability & Operating Temp

Frequency Stability	Operating Temperature (°C)	Frequency Range (MHz)
±25PPM ¹	-10 ~ +70	1.25 ~ 125.0
±50PPM ¹	-10 ~ +70	1.25 ~ 125.0
±50PPM ¹	-40 ~ +85	1.25 ~ 125.0

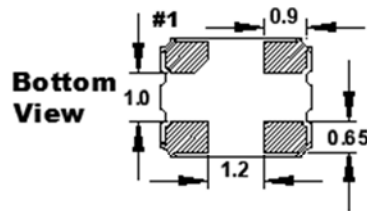
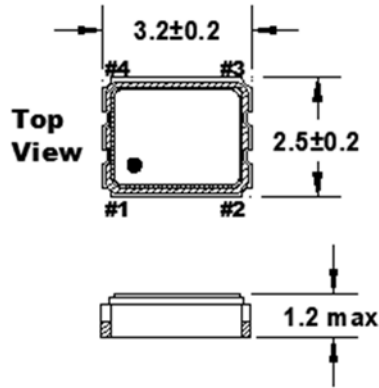
¹ Inclusive of 25°C tolerance, operating temperature range, input voltage change, load change, shock, vibration, reflow, and one-year aging and V_c=1.65V.



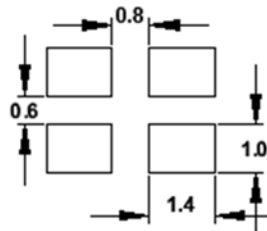


HCMOS 3.2x2.5mm SMD VCXO

Y3H
(former FVM Series)
DATASHEET



Recommended Solder Pad Layout



Dimensions are in millimeters

Pin Connections

#1 Vc #3 Output
#2 GND #4 VDD

Maximum Soldering Temp / Time	260°C / 10 Seconds x 2
Moisture Sensitivity Level (MSL)	1
Termination Finish	Au over Ni
Seal Method	Seam
Lead (Pb) Free	Yes
ROHS/REACH Compliant	Yes

Notes:

- *A 0.01µF capacitor should be placed between V_{DD} (Pin 4) and GND (Pin2) to minimize power supply line noise.
- *Dimensional drawing is for reference to critical specifications defined by size measurements.
Certain non-critical visual attributes, such as side castellations, reference pin shape, etc. may vary.



Title / Description: Y3H SERIES STANDARD SPECIFICATIONS	
Drawing Number: Y3H-DOC-1	Size: A
Part Number:	Cage: 61429
Draftsperson: BEC	Approved: MAJ
Revision Date: 11/14/2019	

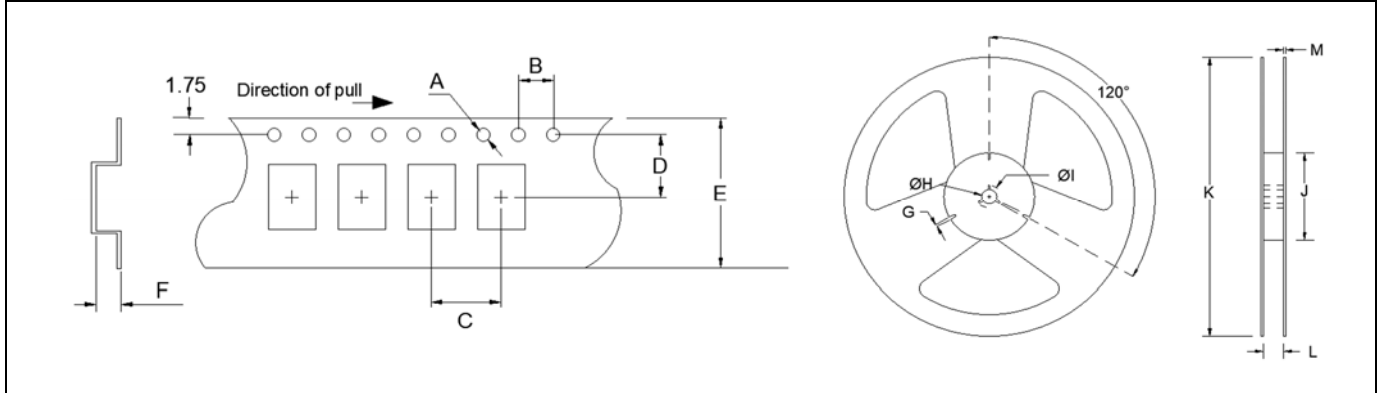


3.2 x 2.5mm HCMOS VCXO

Y3H

(former FVM Series)
DATASHEET

Tape Specifications (millimeters)							Reel Specifications (millimeters)						
A	B	C	D	E	F	Reel Qty	G	H	I	J	K	L	M
Ø1.55	4.0	4.0	3.5	8.0	1.4	-T3 = 3,000 -T1 = 1,000	2.0	Ø13	Ø21	Ø60	Ø180	9.0	1.2



Available Options & Part Identification*

Example: **F** **Y3H** **C** **J** **M** **27.0**

F	Y3H	C	J	M	27.0
F = Fox	Model Number	Voltage C = 3.3V±10%	Stability/Pullability H = ±25ppm/±100ppm J = ±50ppm/±100PPM	Operating Temperature E = -10 to +70°C M = -40 to +85°C	Frequency (MHz)

*Not all frequencies in the frequency range, or every combination of stability, temp range, and voltage available.



Corporate Headquarters
5570 Enterprise Parkway
Fort Myers, FL 33905
<http://www.FOXONLINE.com>

Sales
1-888-GET-2-FOX (1-888-438-2369)
or
1-239-693-0099
<http://www.FOXONLINE.com/repdisty>

Tech Support
<http://www.FOXONLINE.com/email>

Product use: Fox Electronics reserves the right to modify the products and/or specifications described herein at any time and at Fox Electronics' sole discretion. All information in this document, including descriptions of product features and performance, is subject to change without notice. Performance specifications and the operating parameters of the described products are determined in the independent state and are not guaranteed to perform the same way when installed in customer products. The information contained herein is provided without representation or warranty of any kind, whether express or implied, including, but not limited to, the suitability of Fox Electronics' products for any particular purpose, an implied warranty of merchantability, or non-infringement of the intellectual property rights of others. This document is presented only as a guide and does not convey any license under intellectual property rights of Fox Electronics or any third parties. Fox Electronics' products are not intended for use in applications involving extreme environmental conditions or in life support systems or similar devices where the failure or malfunction of a Fox Electronics product can be reasonably expected to significantly affect the health or safety of users. Anyone using a Fox Electronics product in such a manner does so at their own risk, absent an express, written agreement by Fox Electronics.

Fox Electronics and the Fox logo are registered trademarks of Fox Electronics. Product specification is subject to change without notice. Other trademarks and service marks used herein, including protected names, logos and designs, are the property of Fox Electronics or their respective third-party owners.

<p>© Copyright 2017 Fox Electronics, All rights reserved</p>	Title / Description: Y3H SERIES STANDARD SPECIFICATIONS	
	Drawing Number:	Size: A
	Part Number:	Cage: 61429
	Draftsperson: BEC	Approved: 08/02/19/2019