

Acme Dry Type Distribution Transformer

T253060 to T253067

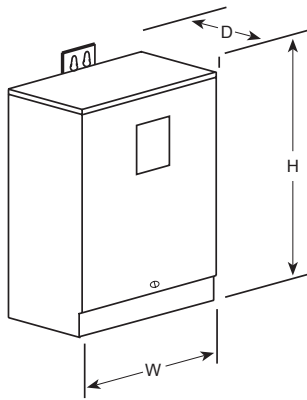
240 V Primary - 120/240 V Secondary - Three Windings

Subcategory:	Autotransformer
Phase:	Single
Frequency:	60 Hz
kVA:	1 to 15 kVA
K rating:	1
Pri. configuration:	Wye
Sec. configuration:	N/A
Reverse connectable:	Yes
Winding material:	Aluminum
Electrostatic shielded:	Yes
Temperature rise:	115 Deg C
Insulation system:	180 Deg C
Enclosure rating:	NEMA 3R
Enclosure material:	Steel
Construction style:	Enclosed - Encapsulated Core & Coil
Mounting type:	Wall
Connection type:	Wire Leads
Cooling:	Air/dry
Agency approvals:	UL Listed, CSA Approved, meets NEMA, ANSI and OSHA standards.
Sound level:	Below NEMA standards.
Warranty:	10 years

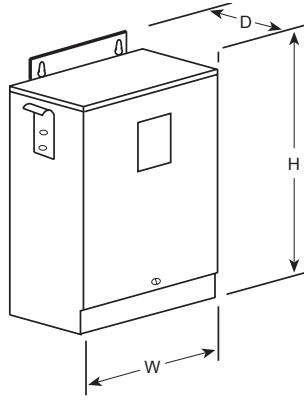


Acme Dry Type Distribution Transformer

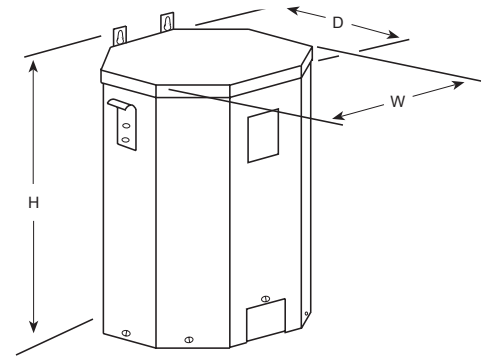
T253060 to T253067



Design B



Design C



Design D

Dimensions (in inches)

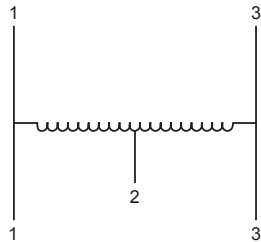
Part #	KVA	Height	Width	Depth	Weight (lbs)	Diagram
T253060	1	9.06	4.37	4.2	15	B
T253061	1.5	9.68	4.5	4.51	19	B
T253062	2	10.5	5.5	5.13	24	B
T253063	3	11.62	5.5	5.13	30	B
T253064	5	13	5.5	5.13	38	B
T253065	7.5	11.5	10.31	7.13	55	C
T253066	10	15.19	13.5	10.84	115	D
T253067	15	15.19	13.5	10.84	115	D

Acme Dry Type Distribution Transformer

T253060 to T253067

12

PRIMARY: 240
SECONDARY: 120/240
TAPS: None



Primary Volts	Connect Primary Lines To	Inter-Connect	Connect Secondary Lines To
240	1-3		
Secondary Volts			
240			1-3
120			1-2 or 2-3
120/240			1-2-3