



Raychem

TE Internal #: 707461-000

Hook Up Wire, Spec 55F, 600V Voltage Rating, Violet Wire Color, 12AWG Wire Size, 3.31mm² Wire Size, Operating Temperature Range -65 – 150 °C

[View on TE.com >](#)

Wire & Cable > Hook Up Wire



Cable Type: **Spec 55F**

Voltage Rating: **600 V**

Wire Color: **Violet**

Insulation Material: **Radiation-Crosslinked, Modified PVDF**

Conductor Material: **Tin-Coated Copper**

Features

Product Type Features

Product Type	Wire
Product Classification	Cable - High Performance - Spec 44, 55 & RCW
Cable Style	Primary
Cable Type	Spec 55F

Configuration Features

Number of Conductors	1
----------------------	---

Electrical Characteristics

Voltage Rating	600 V
----------------	-------

Body Features

Jacket Color	Violet
Wire Color	Violet
Insulation Material	Radiation-Crosslinked, Modified PVDF
Conductor Material	Tin-Coated Copper

Dimensions

Wire Diameter	2.844 mm[.112 in]
	.002 in



Overall Outside Diameter	2.95 mm[.116 in]
Conductor Diameter	2.209 mm[.087 in]
Strand Size	28 AWG
Wire Size	3.31 mm ²

Usage Conditions

Operating Temperature Range	-65 – 150 °C
-----------------------------	--------------

Other

Wire Source	United States
-------------	---------------

Product Compliance

[For compliance documentation, visit the product page on TE.com>](#)

EU RoHS Directive 2011/65/EU	Compliant
EU ELV Directive 2000/53/EC	Compliant
China RoHS 2 Directive MIIT Order No 32, 2016	No Restricted Materials Above Threshold
EU REACH Regulation (EC) No. 1907/2006	Current ECHA Candidate List: JUN 2020 (209) Candidate List Declared Against: JAN 2019 (197) Does not contain REACH SVHC
Halogen Content	Out of Scope - excluded from Halogen requirements
Solder Process Capability	Not applicable for solder process capability

Product Compliance Disclaimer

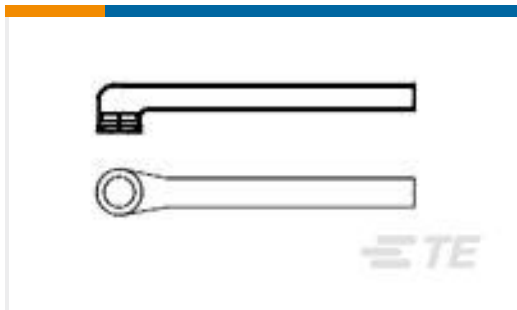
This information is provided based on reasonable inquiry of our suppliers and represents our current actual knowledge based on the information they provided. This information is subject to change. The part numbers that TE has identified as EU RoHS compliant have a maximum concentration of 0.1% by weight in homogenous materials for lead, hexavalent chromium, mercury, PBB, PBDE, DBP, BBP, DEHP, DIBP, and 0.01% for cadmium, or qualify for an exemption to these limits as defined in the Annexes of Directive 2011/65/EU (RoHS2). Finished electrical and electronic equipment products will be CE marked as required by Directive 2011/65/EU. Components may not be CE marked. Additionally, the part numbers that TE has identified as EU ELV compliant have a maximum concentration of 0.1% by weight in homogenous materials for lead, hexavalent chromium, and mercury, and 0.01% for cadmium, or qualify for an exemption to these limits as defined in the Annexes of Directive 2000/53/EC (ELV). Regarding the REACH Regulation, the information TE provides on SVHC in articles for this part number is based on the latest European Chemicals Agency (ECHA) 'Guidance on requirements for substances in articles' posted at this URL: <https://echa.europa.eu/guidance-documents/guidance-on-reach>

Compatible Parts



TE Model / Part # 650076-000
D-436-38

Customers Also Bought



TE Model / Part #807767-000
222D152-4-60-0



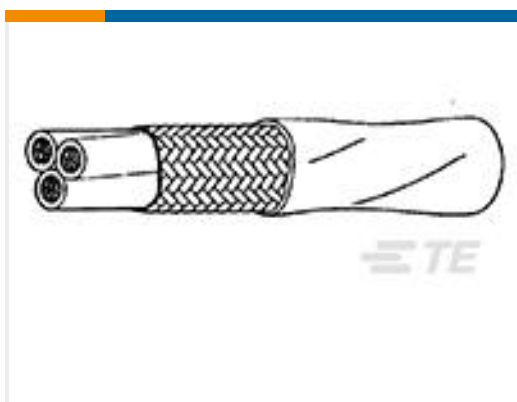
TE Model / Part #CM0138-000
55A1842-14-MST4-9CS2275



TE Model / Part #751873-000
55A1842-20-MST4-9CS2275



TE Model / Part #F324333001
55T9238-24-9-9



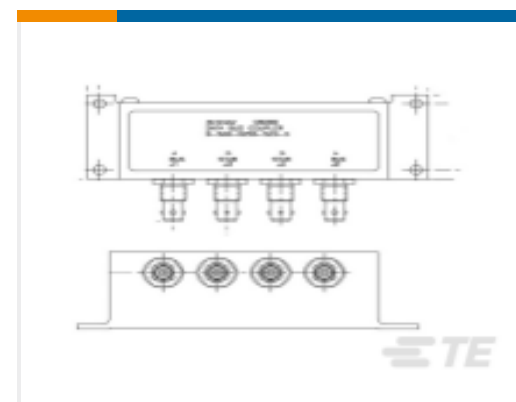
TE Model / Part #CP9020-000
55FB2521-20-7L/7L6-0



TE Model / Part #641330-000
D-104-31CS2825



TE Model / Part #493312-000
D-108-12CS2825



TE Model / Part #872879-000
D-500-0255-523-3



TE Model / Part #702935-000
D-500-0255-543-3



TE Model / Part #5053514004
RNF-100-4-4-SP

Documents

Product Drawings

[55FA0511-12-7L](#)

English

Datasheets & Catalog Pages

[1654025_Sec9_55F](#)

English

[Raychem Wire and Cable Quick Reference Guide](#)

English



Product Specifications

Product Specification

English