

SP3022-01ETG-NM

0.35 pF, 20 kV, SOD882, Bidirectional Non-Magnetic TVS, Low Capacitance ESD Protection

HF  

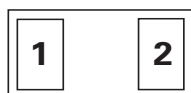


Description

The SP3022-01ETG-NM provides low capacitance, bidirectional and non-magnetic of protection for electronic equipment that may experience destructive electrostatic discharges (ESD). The typical capacitance of 0.35 pF helps ensure excellent signal integrity on the most challenging consumer electronics interfaces.

It can safely absorb repetitive ESD strikes at ± 20 kV (contact discharge, IEC 61000-4-2) without performance degradation and safely dissipate 3.0 A of 8/20 μ s surge current (IEC 61000-4-5 2nd edition).

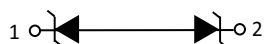
Pinout



Features

- Non-magnetic protection for medical applications
- ESD, IEC 61000-4-2, ± 20 kV contact, ± 30 kV air
- EFT, IEC 61000-4-4, 40 A (5/50 ns)
- Maximum surge tolerance, IEC 61000-4-5, 2nd edition, 3.0 A (8/20 μ s)
- Low capacitance of 0.35 pF (Typ@ $V_R = 0$ V)
- Low leakage current of 10 nA (Typ) at 5.3 V
- Halogen-free, lead-free and RoHS compliant
- Moisture sensitivity level (MSL-1)

Functional Block Diagram



Applications

- Medical Device
- External Storage
- HDMI 2.0, DisplayPort 1.3, eSATA
- MIPI Camera and Display
- Tablets, eReaders
- Ultrabooks, Notebooks
- USB 3.0/USB 2.0/MHL

SP3022-01ETG-NM

0.35 pF, 20 kV, SOD882, Bidirectional Non-Magnetic TVS, Low Capacitance ESD Protection

Absolute Maximum Ratings

Symbol	Parameter	Value	Units
I_{PP}	Peak Current ($t_p = 8/20 \mu s$)	3	A
T_{OP}	Operating Temperature	-40 to 125	°C
T_{STOR}	Storage Temperature	-55 to 150	°C

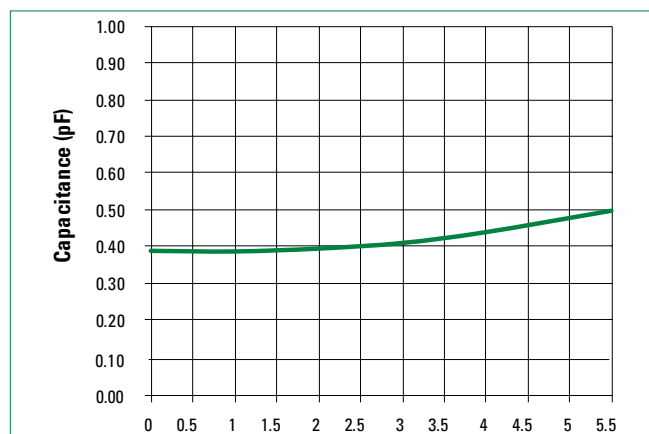
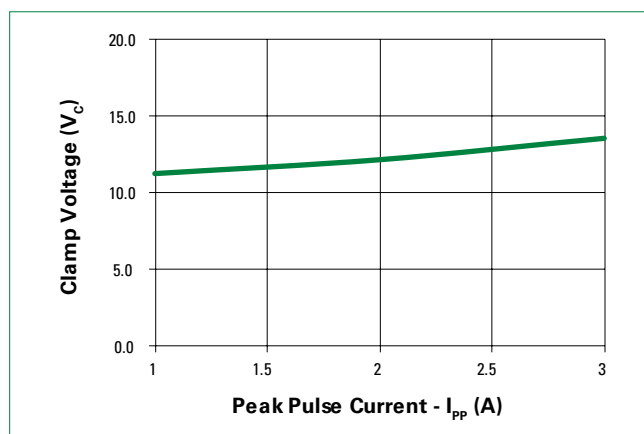
CAUTION: Stresses above those listed in "Absolute Maximum Ratings" may cause permanent damage to the component. This is a stress only rating and operation of the component at these or any other conditions above those indicated in the operational sections of this specification is not implied.

Electrical Characteristics ($T_{OP} = 25 \text{ }^\circ\text{C}$)

Parameter	Symbol	Test Conditions	Min	Typ	Max	Units
Reverse Standoff Voltage	V_{RWM}				5.3	V
Breakdown Voltage	V_{BR}	$I_R = 1 \text{ mA}$	7.0	8.5	10	V
Reverse Leakage Current	I_{LEAK}	$V_R = 5.3 \text{ V}$		10	100	nA
Clamp Voltage ¹	V_C	$I_{PP} = 1 \text{ A}$, $t_p = 8/20 \mu s$, I/O to GND		10.5		V
		$I_{PP} = 3 \text{ A}$, $t_p = 8/20 \mu s$, I/O to GND		13.0		V
Dynamic Resistance ²	R_{DYN}	TLP, $t_p = 100 \text{ ns}$, I/O to GND		0.65		Ω
ESD Withstand Voltage ^{1,3}	V_{ESD}	IEC 61000-4-2 (Contct Discharge)	± 20			kV
		IEC 61000-4-2 (Air Discharge)	± 30			kV
Diode Capacitance ¹	C_{IO-GND}	Reverse Bias = 0 V, $f = 1 \text{ MHz}$, I/O to GND		0.35	0.50	pF

Note:

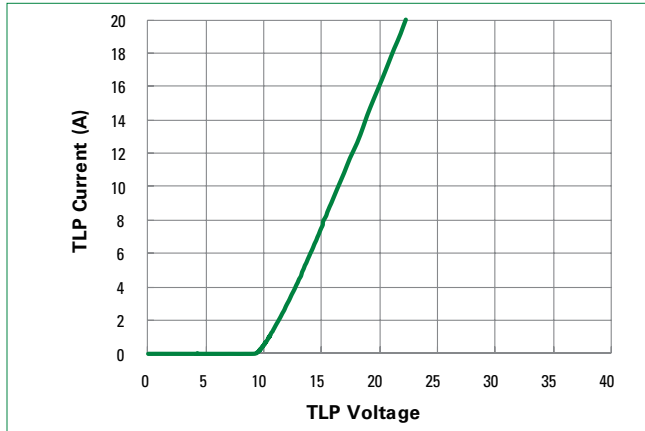
- Parameter is guaranteed by design and/or component characterization.
- Transmission Line Pulse (TLP) with 100 ns width, 0.2 ns rise time, and average window $t_1 = 70 \text{ ns}$ to $t_2 = 90 \text{ ns}$.
- Device stressed with ten non-repetitive ESD pulses.

Capacitance vs. Reverse Bias**Clamping Voltage vs I_{PP}** 

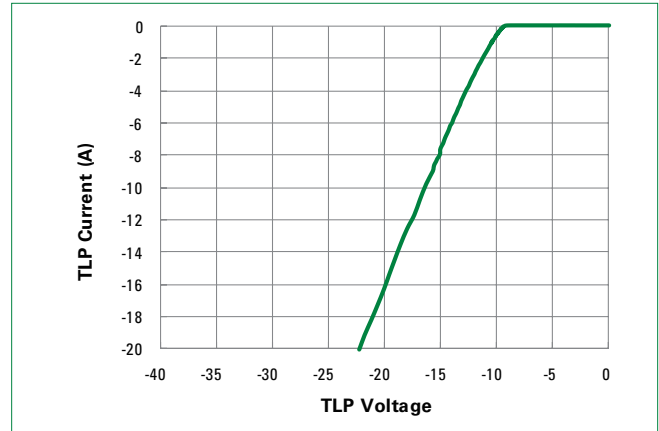
SP3022-01ETG-NM

0.35 pF, 20 kV, SOD882, Bidirectional Non-Magnetic TVS, Low Capacitance ESD Protection

Positive Transmission Line Pulsing (TLP) Plot



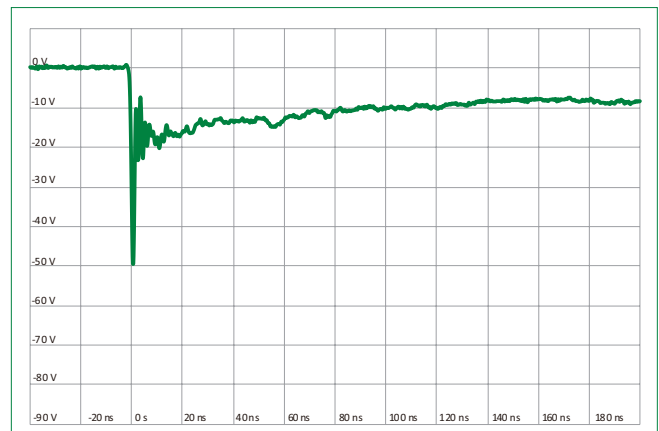
Negative Transmission Line Pulsing (TLP) Plot



IEC 61000-4-2 +8 kV Contact ESD Clamping Voltage



IEC 61000-4-2 -8 kV Contact ESD Clamping Voltage



SP3022-01ETG-NM

0.35 pF, 20 kV, SOD882, Bidirectional Non-Magnetic TVS, Low Capacitance ESD Protection

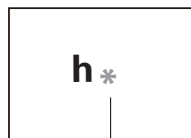
Soldering Parameters

Reflow Condition		Pb – Free assembly
Pre Heat	- Temperature Min ($T_{s(min)}$)	150 °C
	- Temperature Max ($T_{s(max)}$)	200 °C
	- Time (min to max) (t_s)	60 – 120 seconds
Average Ramp up Rate (Liquidus) Temp (T_L) to peak		3 °C/second max
$T_{s(max)}$ to T_L - Ramp-up Rate		3 °C/second max
Reflow	- Temperature (T_L) (Liquidus)	217 °C
	- Temperature (t_L)	60 – 150 seconds
Peak Temperature (T_p)		260 ^{+0/-5} °C
Time within 5 °C of Actual Peak Temperature (t_p)		30 seconds
Ramp-down Rate		6 °C/second max
Time 25 °C to Peak Temperature (T_p)		8 minutes max
Do not exceed		260 °C

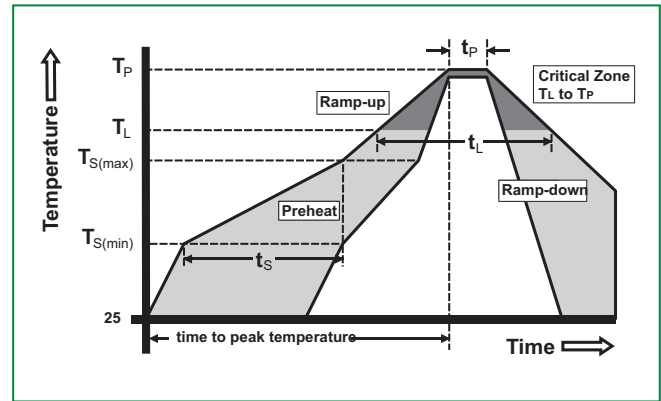
Ordering Information

Part Number	Package	Min. Order Qty.
SP3022-01ETG-NM	SOD882	10000

Part Marking System



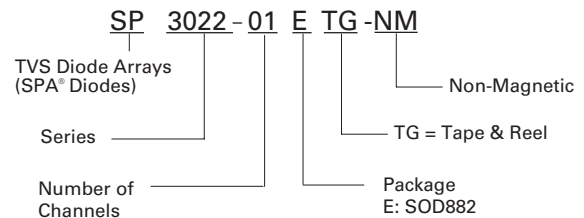
h : Part Code
* : Date Code



Product Characteristics

Lead Plating	Matte Tin
Lead Material	Copper Alloy
Body Material	Molded Compound
Flammability	UL recognized compound meeting flammability rating V-0

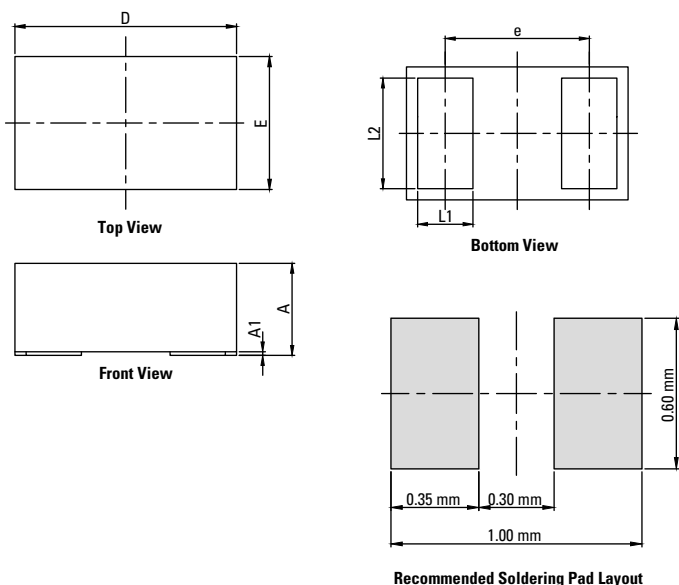
Part Numbering System



SP3022-01ETG-NM

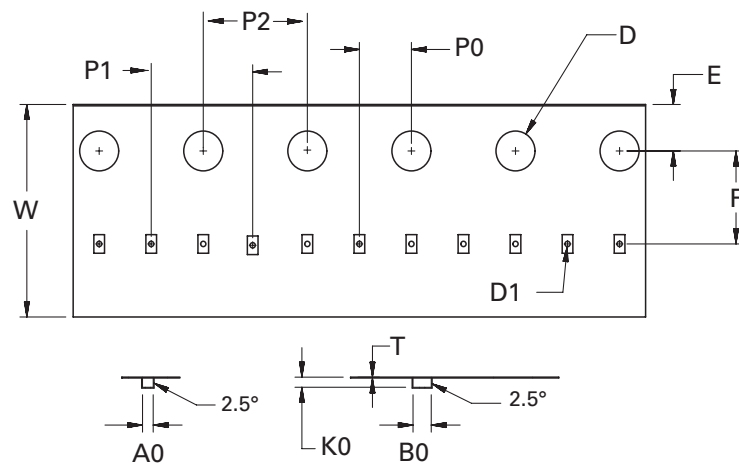
0.35 pF, 20 kV, SOD882, Bidirectional Non-Magnetic TVS, Low Capacitance ESD Protection

Package Dimensions — SOD882

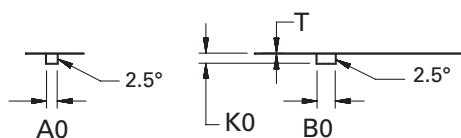


Symbol	Millimeters		Inches	
	Min	Max	Min	Max
A	0.40	0.55	0.016	0.022
A1	0.00	0.05	0.000	0.002
L1	0.20	0.30	0.008	0.012
L2	0.45	0.55	0.018	0.022
D	0.95	1.05	0.037	0.041
E	0.55	0.65	0.022	0.026
e	0.65BSC		0.026BSC	

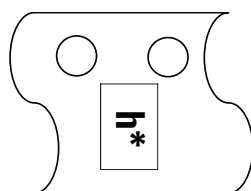
Embossed Carrier Tape & Reel Specification — SOD882



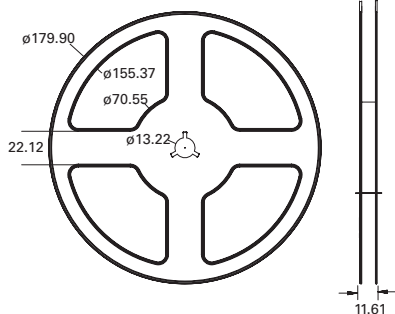
Symbol	Millimeters
A0	0.70+/-0.05
B0	1.15+/-0.05
D	1.50+0.10
D1	0.40+/-0.10
E	1.75+/-0.10
F	3.50+/-0.05
K0	0.55+/-0.05
P0	2.00+/-0.05
P1	4.00+/-0.10
P2	4.00+/-0.10
T	0.20+/-0.03
W	8.00+0.30/-0.10



Component Orientation in Tape



8 mm Tape and Reel



Product Disclaimer: Littelfuse products are not designed for, and shall not be used for, any purpose (including, without limitation, automotive, military, aerospace, medical, life-saving, life-sustaining or nuclear facility applications, devices intended for surgical implant into the body, or any other application in which the failure or lack of desired operation of the product may result in personal injury, death, or property damage) other than those expressly set forth in applicable Littelfuse product documentation. Warranties granted by Littelfuse shall be deemed void for products used for any purpose not expressly set forth in applicable Littelfuse documentation. Littelfuse shall not be liable for any claims or damages arising out of products used in applications not expressly intended by Littelfuse as set forth in applicable Littelfuse documentation. The sale and use of Littelfuse products is subject to Littelfuse Terms and Conditions of Sale, unless otherwise agreed by Littelfuse. "Littelfuse" includes Littelfuse, Inc., and all of its affiliate entities. <http://www.littelfuse.com/disclaimer-electronics>.