

# GPS Antenna GPA-CG2C1

Telecommunication component

## OUTLINE

This 12.5mm thick LNA-incorporated antenna having an all-azimuth characteristic can receive electric waves from GPS satellite, efficiently with high sensitivity, and it is mountable inside or outside a car.



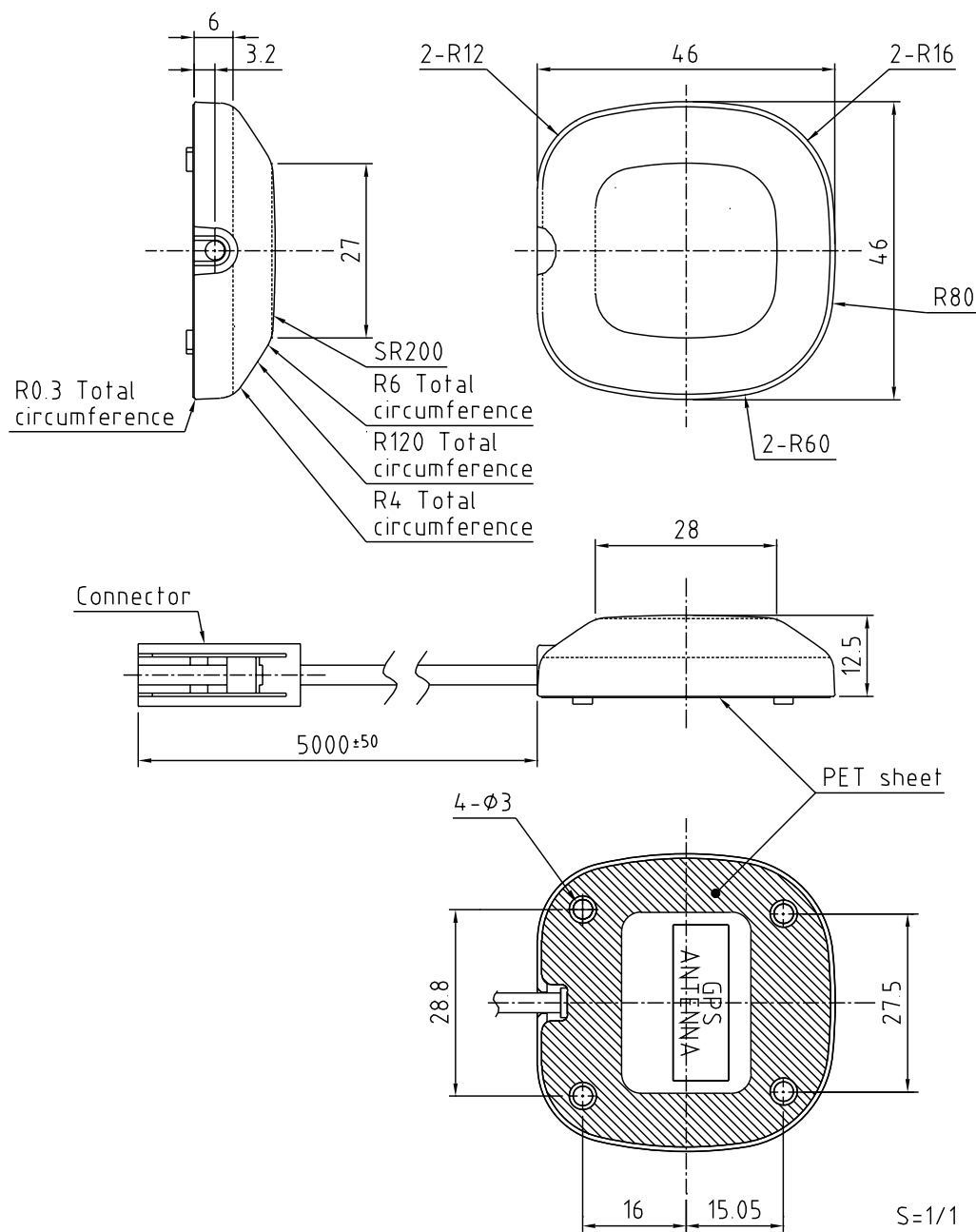
## FEATURES

1. Mitsumi standard model.
2. Small type (46mm × 46mm × 12.5mm).
3. We will comply with customer requests regarding connector type and cable length.
4. Small antenna element (20mm × 20mm × 4mm).

## SPECIFICATIONS

Item		Specifications
Antenna	Receiving Frequency	1575.42±1.023MHz
	Receiving Polarization	Clockwise Circularly Polarized Wave
	Antenna Gain	0dBi min. (Elevation angle 90°)
	Output Impedance	50Ω
LNA	Receiving Frequency	1575.42±1.023MHz
	Noise Figure	1.1dB typ.
	Gain	26dB typ.
	Gain Flatness	1dB max.
	Gain Rejection	18dB min. (f <sub>0</sub> ±50MHz)
	Overall Gain of Unit	28dBi typ. (Elevation angle 90°)
Power Supply		3V or 5V 15mA typ. 25mA max.
Minimum Order		30,000Pcs/Year

**DIMENSIONS**



\* We will comply with customer requests regarding connector type and cable length.

Unit : mm