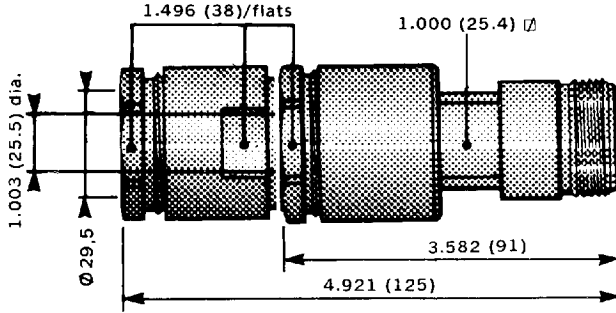


LC

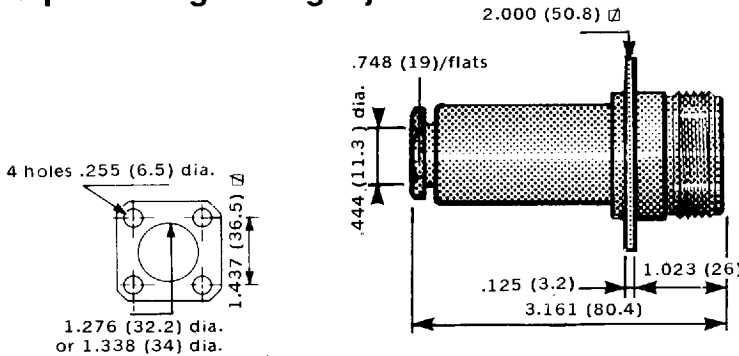
CABLE CLAMP TYPE FOR FLEXIBLE CABLE

Straight jack (+ armored cable clamp)



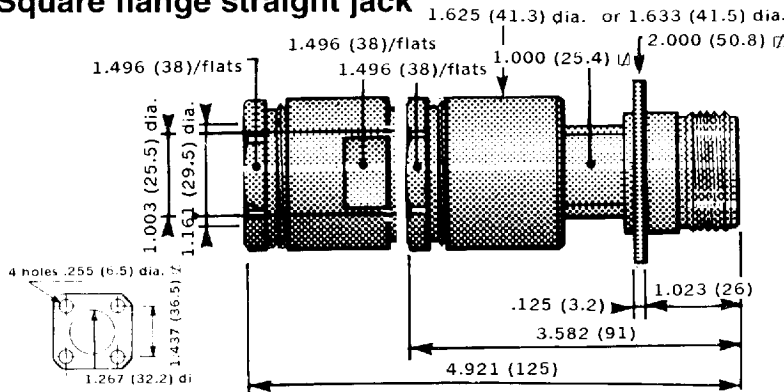
CABLE GROUP	22/50	22/50 armé
PART NUMBER	R 181 212 ●	R 181 212 ● + R 280 131
Insulator	Polyethylene	
Gasket	Neoprene	
Assembly code	M11 page 21	M12 page 22

Square flange straight jack



CABLE GROUP	10 + 11/50
PART NUMBER	R 181 256 ●
Insulator	PTFE
Gasket	Neoprene
Assembly code	M15 page 24

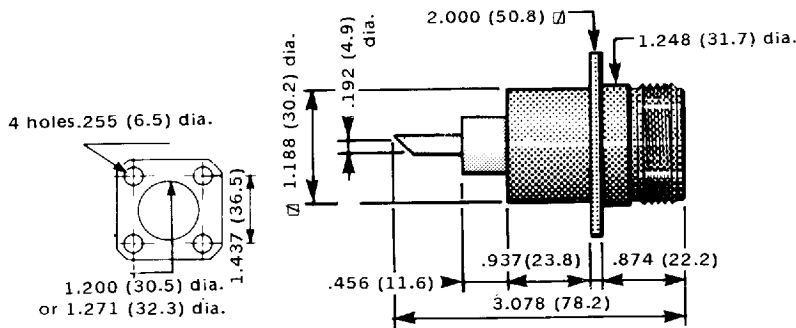
Square flange straight jack



CABLE GROUP	22/50	22/50 armé
PART NUMBER	R 181 262 ●	R 181 262 ● + R 280 131
Insulator	Polyethylene	
Gasket	Neoprene	
Assembly code	M11 page 21	M12 page 22

FLANGE MOUNT RECEPTACLE

Square flange straight jack (solder pot)



PART NUMBER	R 181 404
Insulator	PTFE

● Manufactured upon request. Please consult us.

