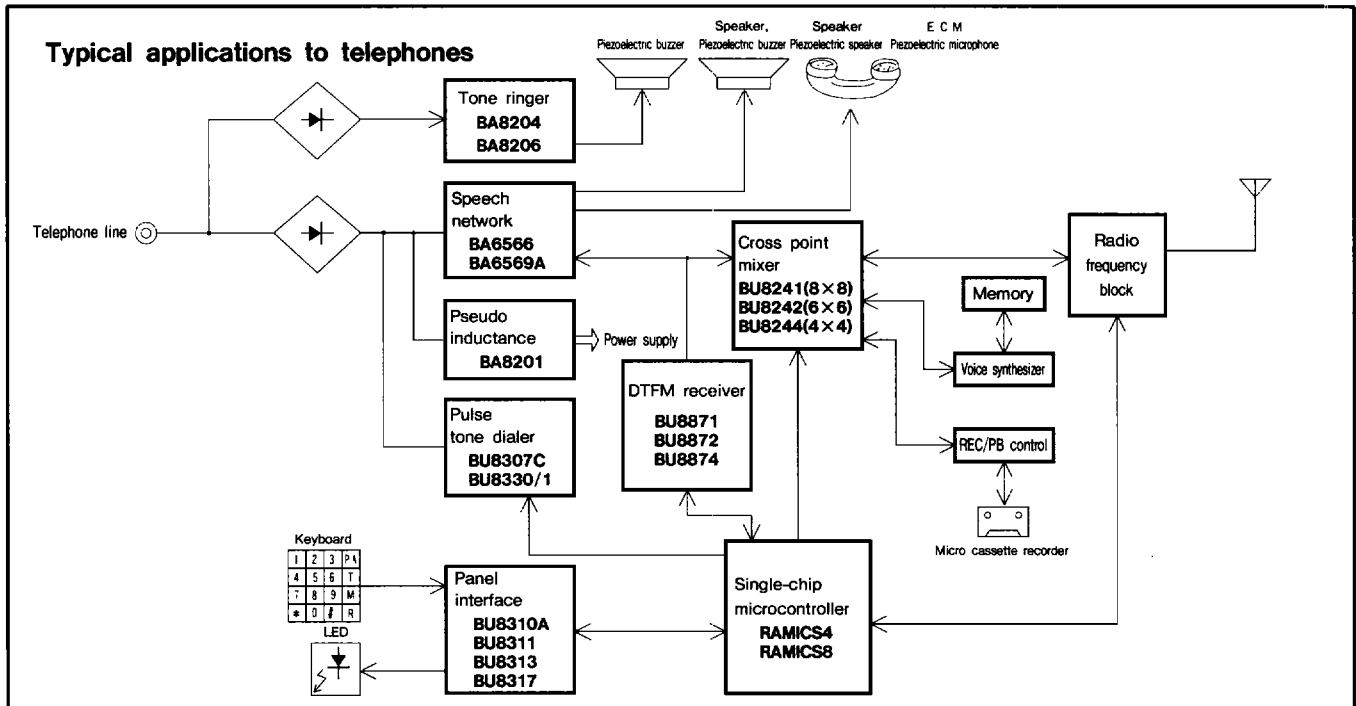


Telephones



Package
Page
42~50

● Pulse tone dialer

Part No.	Supply voltage (V)	Pulse rate (PPS)	Pulse break ratio (%)	Redial memory (digits)	Hooking	Features	Package
BU8307CS/CF	2.5~5.5	10/20	67/60	32	○	Complies with standards of Japan, U.S.A., Canada, U.K., Korea, Taiwan, and Australia.	SDIP22/SOP24
BU8329/F	2.0~5.5	10/20	66	32	○	On-hook and hold control	3 one-touch automatic dialer Repertory memory of 10 dialing numbers.
BU8330		10	60	32 + 32		2nd redial memory	
BU8331		10/20	66				

Note : ◐ Under development

● DTMF receiver

Part No.	Supply voltage (V)	Interface	Dynamic range	Power down function	Oscillator	Features	Package
BU8871/F	4.75~5.25	3-wire serial	45dB		Crystal	Wide dynamic range	DIP8/SOP18
BU8872/FS	4.5~5.5	3-wire serial	45dB		Crystal/Ceramic	Wide dynamic range	DIP8/SSOP-A16
BU8874/F	4.75~5.25	3-wire serial	45dB	○	Crystal	Wide dynamic range	DIP8/SOP18

● Tone decoder

Part No.	Supply voltage (V)	Function/Feature	Package
BA1604/F	4.75~9	1ch PLL tone decoder. Detection band to fo is variable at 0 to 14%	DIP8/SOP8

● Speech network

Part No.	Line current (mA)	Receiver	Microphone	Pad control	DTMF amp.	Key confirmation tone amp	Muting	Features	Package
BA6566/F/FP	5~100	Dynamic / Ceramic	ECM / Dynamic	AGC	○	○	○	Wide dynamic range receiver High frequency radio wave protection	DIP18/SOP18 HSOP24
BA6569AFP/AS	5~100	Dynamic / Ceramic		AGC Manual pad	○	○	○	Receiver preamp and power amp are independent.	HSOP24/SDI22
BA8216	2~100	Dynamic / Ceramic		○	○	○	○	Excellent branch characteristics. Receiver noise further reduced from the BA8215.	DIP14
☆BA8213/F/FP	1~140	Dynamic / Ceramic	ECM / Dynamic	AGC	○		○	Conforms to European standards	DIP18/SOP20 HSOP25

Note : ◐ Under development

● Tone ringer

Part No.	Adjustable starting current for operation	Adjustable starting voltage for operation	Withstanding voltage (V)	Power supply circuit with hysteresis	Features	Remarks	Package
BA8204/F		○	40	○	High voltage	Low power consumption	BA6564A/F replacement part.
BA8206/F	○		40	○		Low power consumption	