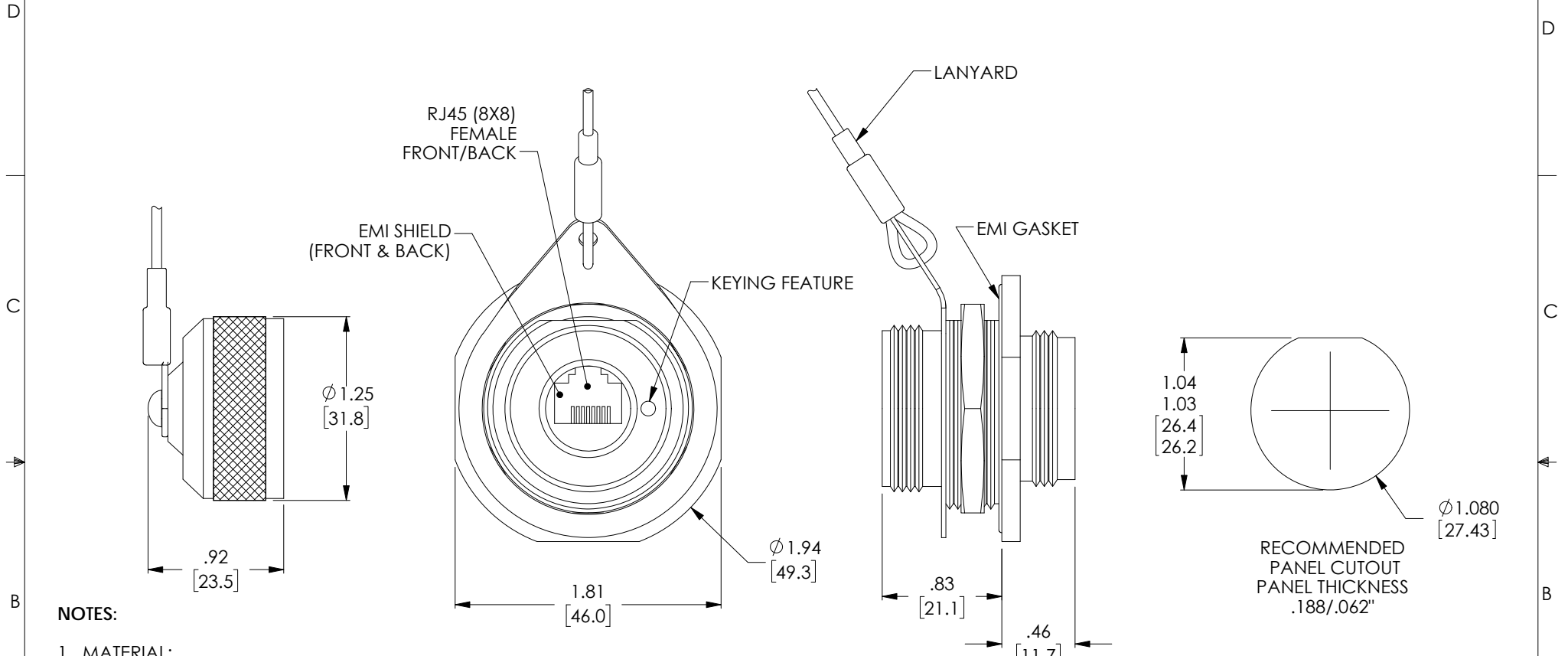


THE INFORMATION CONTAINED IN THIS DRAWING IS THE SOLE PROPERTY OF L-COM, INC. ANY REPRODUCTION IN PART OR WHOLE WITHOUT THE WRITTEN PERMISSION OF L-COM, INC. IS PROHIBITED.

REVISIONS			
REV	DESCRIPTION	DATE	APPROVED
A	INITIAL RELEASE	2/9/18	D.FRISIELLO



**NOTES:**

- MATERIAL:**  
 EXTERNAL PARTS: ALUMINUM/ELECTROLESS NICKEL, (BLACK)  
 INTERNAL PARTS: ALUMINUM  
 MISC. HARDWARE: STAINLESS STEEL  
 SEALS: SILICONE  
 LANYARD: STAINLESS STEEL (NYLON COAT)
- LANYARD LENGTH: APPROXIMATELY 6.0"
- RATED IP-68.  
 PERFORMANCE MEETS OR EXCEEDS CATEGORY 6 ANSI/EIA 568-C.
- ALL DIMENSIONS ARE FOR REFERENCE ONLY.
- COMPONENT SHALL BE INDIVIDUALLY PACKAGED  
 IN ACCORDANCE WITH L-COM SPECIFICATION LSP-010-1

**REGULATORY COMPLIANCE:**  
 CE2011/65/EU(RoHS DIRECTIVE)

UNLESS OTHERWISE SPECIFIED, DIMENSIONS ARE IN INCHES [mm] OVERALL CABLE LENGTH TOLERANCE: ≤12 [305] = +1 [25] / -0 >12 [305] ≤60 [1524] = +2 [51] / -0 >60 [1524] ≤120 [3048] = +4 [102] / -0 >120 [3048] ≤300 [7620] = +6 [152] / -0 >300 [7620] = +5% / -0%	APPROVALS	DATE	 50 HIGH STREET NORTH ANDOVER, MA 01845
	DRAWN BY D.FRISIELLO	2/6/18	
ALL OTHER DIMENSIONAL TOLERANCES: .X = ± .2 [5.08] .XX = ± .02 [5.1] .XXX = ± .005 [1.3]	CHECKED BY D.GUITADAURO	2/9/18	CATEGORY TELECOM/MODULAR
	APPROVED BY D.GUITADAURO	2/9/18	PRODUCT DESCRIPTION C6 JAM NUT SHLD D38999 EN W/ DUSTCAP
PROJECTION 	COLOR VARIATIONS MAY OCCUR	SIZE <b>A</b>	FSCM NO. <b>43321</b>
		DWG. NO. ECSJ1109U00	REV. <b>A</b>
		SCALE: NONE	CAD FILE: ECSJ1109U00.SLDDRW
		SHEET 1 OF 1	