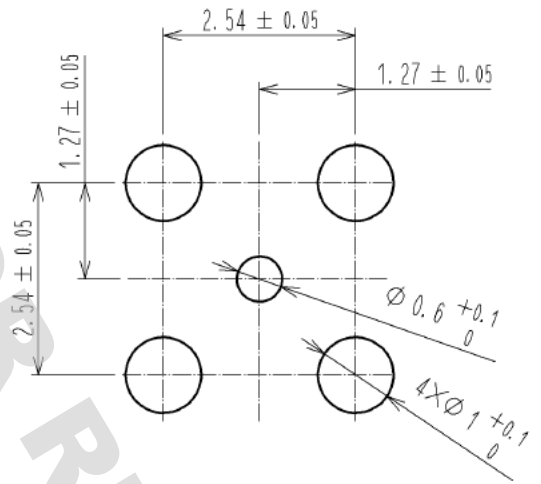
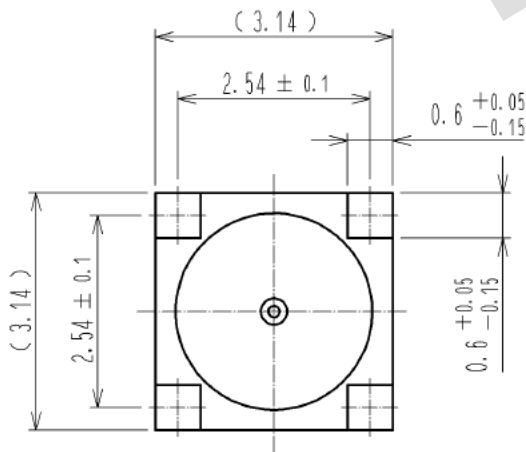
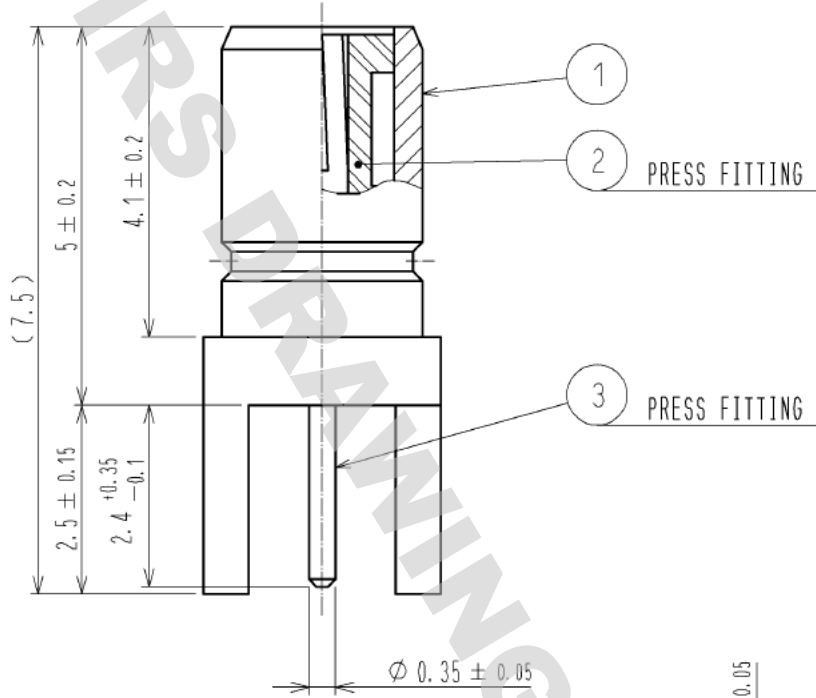


DRAWING FOR REFERENCE: This is subject to change without notice  
05/31/2013



RoHS COMPLIANT

2	PTFE			3	BERYLLIUM COPPER	GOLD PLATING			
1	BRASS	GOLD PLATING							
NO.	MATERIAL	FINISH	REMARKS	NO.	MATERIAL	FINISH	REMARKS		
	UNITS mm		SCALE 10:1		COUNT	DESCRIPTION OF REVISIONS	DESIGNED	CHECKED	DATE
<b>HRS</b> HIROSE ELECTRIC CO., LTD.		APPROVED : MH. YAMANE	12.09.21	DRAWING NO.	EDC4-136680-40				
		CHECKED : TS. NOBE	12.09.21	PART NO.	P06(75)-R-PC(40)				
		DESIGNED : TM. YOSHIDA	12.09.21	CODE NO.	CL328-0045-9-40				
		DRAWN : SY. OUCHI	12.09.21		1/1				