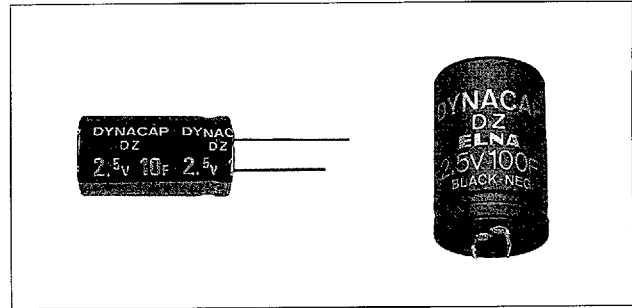


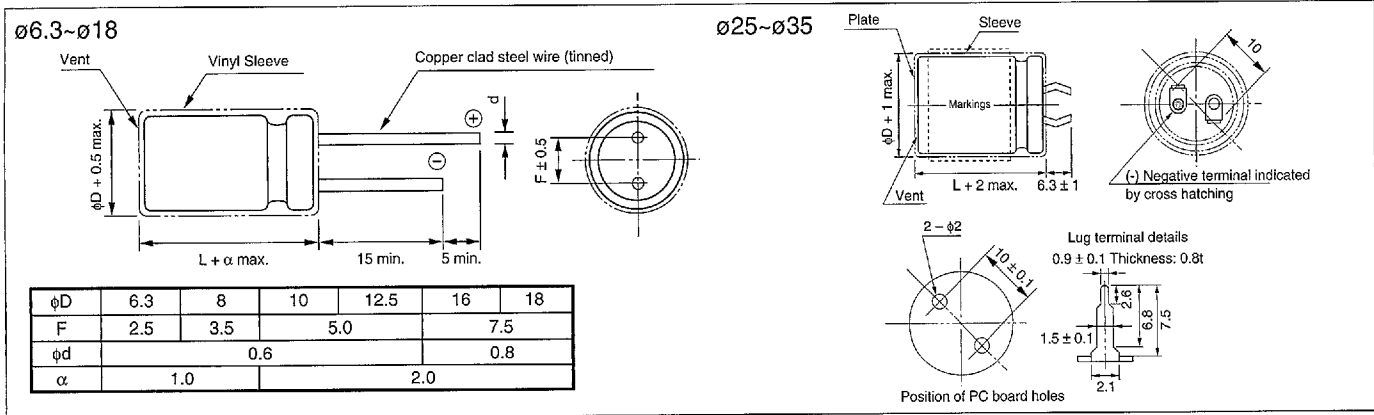
DYNACAP – Double Layer Capacitor

DZ Series

The DZ Series is an entirely new type of high current capacitor that has extremely low internal resistance (only 10% of standard double layer caps), capable of undergoing virtually unlimited charge/discharge cycles with no deterioration. With capacitance ranging from 0.33 to 100F and internal resistance from ≤0.08 to 1.60 ohms, they are ideal for CMOS backup, or they can function as a simple power supply.



Construction and Dimensions



Specifications	Performance																
Temperature range (°C)	-40 to +70																
Capacitance tolerance (%)	-20 to +80																
Internal resistance	<table border="1"> <tr> <td>Capacitance (F)</td> <td>0.33</td> <td>1.0</td> <td>3.3</td> <td>4.7</td> <td>10</td> <td>50</td> <td>100</td> </tr> <tr> <td>Internal resistance (Ω)</td> <td>1.6</td> <td>1.0</td> <td>0.3</td> <td>0.2</td> <td>0.1</td> <td>0.08</td> <td>0.08</td> </tr> </table>	Capacitance (F)	0.33	1.0	3.3	4.7	10	50	100	Internal resistance (Ω)	1.6	1.0	0.3	0.2	0.1	0.08	0.08
	Capacitance (F)	0.33	1.0	3.3	4.7	10	50	100									
Internal resistance (Ω)	1.6	1.0	0.3	0.2	0.1	0.08	0.08										
Stability at low & high temperature	<table border="1"> <tr> <td>Change in capacitance (-25 to 70°C)</td> <td>Within ±30% of value at 20°C</td> </tr> <tr> <td>Internal resistance (-40 to 70°C)</td> <td>Less than five times of the value at 20°C</td> </tr> </table>	Change in capacitance (-25 to 70°C)	Within ±30% of value at 20°C	Internal resistance (-40 to 70°C)	Less than five times of the value at 20°C												
	Change in capacitance (-25 to 70°C)	Within ±30% of value at 20°C															
Internal resistance (-40 to 70°C)	Less than five times of the value at 20°C																
Endurance (70°C)	<table border="1"> <tr> <td>Test time</td> <td>1000 hrs</td> </tr> <tr> <td>Change in capacitance</td> <td>Within ±30% of the initial measured value</td> </tr> <tr> <td>Internal resistance</td> <td>Within four times the initial specified value</td> </tr> </table>	Test time	1000 hrs	Change in capacitance	Within ±30% of the initial measured value	Internal resistance	Within four times the initial specified value										
	Test time	1000 hrs															
	Change in capacitance	Within ±30% of the initial measured value															
Internal resistance	Within four times the initial specified value																
Max. storage temp. (70°C)	Test time 1000hrs. Same as Endurance																

Standard Ratings

ELNA Parts No.	Rated Volt (V)	Capacitance (F)	Internal Resistance (Ω)	φD x L (mm)
DZ-2R5D334	2.5	0.33	≤1.60	φ6.3 x 21.0
DZ-2R5D105	2.5	1.0	≤1.00	φ8.0 x 22.0
DZ-2R5D335	2.5	3.3	≤0.30	φ12.5 x 23.0
DZ-2R5D475	2.5	4.7	≤0.20	φ12.5 x 31.5
DZ-2R5D106	2.5	10	≤0.10	φ18.0 x 35.0
DZ-2R5D506	2.5	50	≤0.08	φ25.0 x 40.0
DZ-2R5D107	2.5	100	≤0.08	φ35.0 x 50.0

DYNACAP

DZ