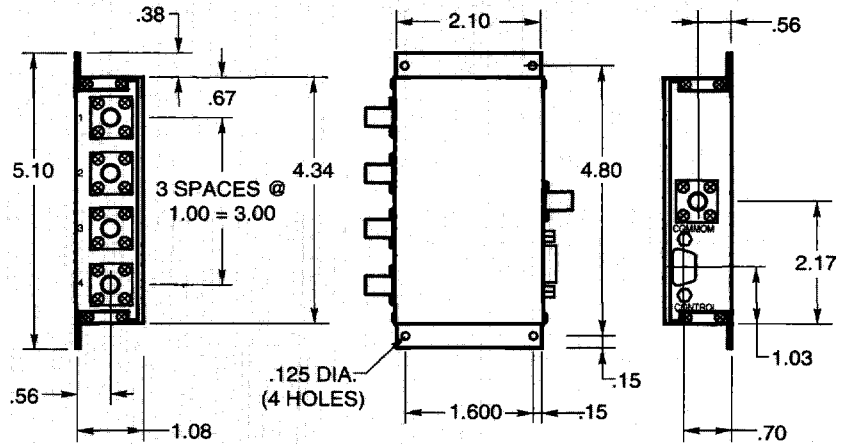


4 way switch shown. Also available in 2 way, 8 way and 16 way. See table below.



4 way switch shown. Also available in 2 way, 8 way and 16 way. See table below.

Specifications	Models			
	Model PS-2.5 — 2 Way	Model PS-2.5 — 4 Way	Model PS-2.5 — 8 Way	Model PS-2.5 — 16 Way
Frequency Range	50 to 2,500 MHz	50 to 2,500 MHz	50 to 2,500 MHz	50 to 2,500 MHz
Configuration	Single Pole/Double Throw	Single Pole/Four Throw	Single Pole/Eight Throw	Single Pole/Sixteen Throw
Impedance	50 Ohms	50 Ohms	50 Ohms	50 Ohms
Insertion Loss	3.0 dB maximum	5.5 dB maximum	8.0 dB maximum	10.5 dB maximum
Return Loss	13 dB minimum	13 dB minimum	13 dB minimum	13 dB minimum
Isolation	60 dB minimum	60 dB minimum	60 dB minimum	60 dB minimum
Switching Time	50 nanoseconds maximum	50 nanoseconds maximum	50 nanoseconds maximum	50 nanoseconds maximum
RF Input Power	+20 dBm	+20 dBm	+20 dBm	+20 dBm
Temperature Range	0 to +70 degrees	0 to +70 degrees	0 to +70 degrees	0 to +70 degrees
Control Option	TTL	TTL	TTL	TTL
Supply Voltage	+5 Vdc @ 10 mA	+5 Vdc @ 10 mA	+5 Vdc @ 10 mA	+5 Vdc @ 10 mA
Control Connectors	Solder terminals	Solder terminals	Solder terminals	Solder terminals
RF Connectors	BNC, SMA, SMB, SMC, TNC or N female	BNC, SMA, SMB, SMC, TNC or N female	BNC, SMA, SMB, SMC, TNC or N female	BNC, SMA, SMB, SMC, TNC or N female
Mechanical Specifications	Same as model 5002 of Trilithic catalog	Same as model 5204 of Trilithic catalog	Same as model 5208 of Trilithic catalog	TBD