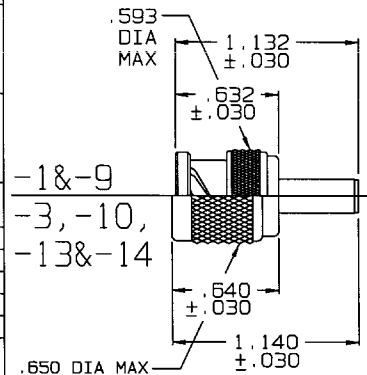


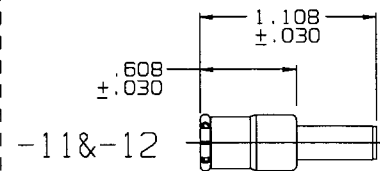
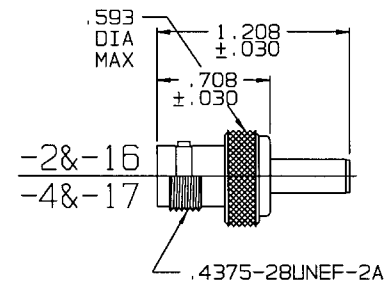
RED INDICATES ORIGINAL

TABLE 1				
DASH NO	CONN TYPE	IMPD (OHMS)	MATERIAL Δ	ASSEMBLE PER
-1	PL220	50	1-0442-024	TAI-A118
-2	CJ220		1-0443-024	
-3	PL240		1-0446-024	
-4	CJ240		1-0445-024	
-5	BJ226		1-0472-024	TAI-123
-6	BJ229		1-0473-024	
-7	BJ246		1-0046-024	
-8	BJ249		1-0047-024	
-9	UPL220	75	1-0468-024	TAI-D118
-10	UPL240		1-0041-024	TAI-A118
-11	PL223	50	1-0009-024	TAI-A118
-12	UPL223	75	1-0050-024	TAI-D118
-13	PL240S	50	1-0446-024	TAI-A118
-14	UPL240S		1-0041-024	TAI-D118
-15	UBJ229	75	1-0488-024	TAI-123
-16	UCJ220		1-0494-024	TAI-D118
-17	UCJ240		1-0496-024	TAI-D118
-18	UBJ226		1-0489-024	TAI-123
-19	UBJ220		1-0515-024	TAI-D118

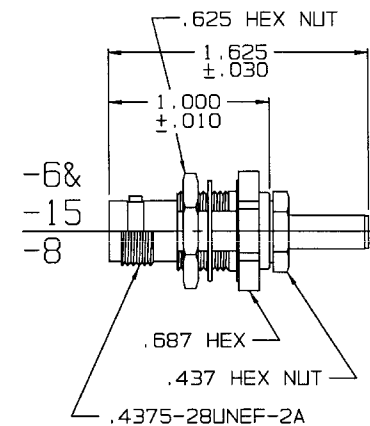
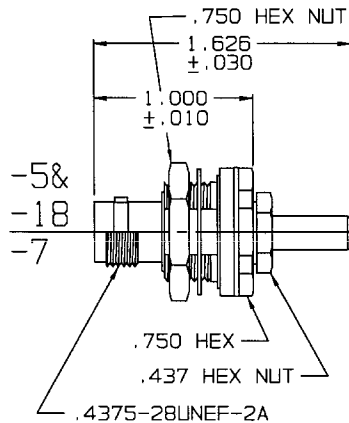


DWG SIZE: C
 DATA CONTAINED IN THIS DOCUMENT IS PROPRIETARY TO TROMPETER ELECTRONICS, INC. AND SHALL NOT BE DISCLOSED, COPIED OR USED FOR PROCUREMENT OR MANUFACTURE WITHOUT EXPRESS WRITTEN PERMISSION.

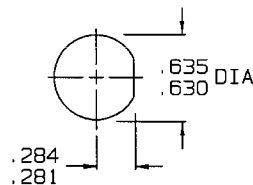
REV		ED	DESCRIPTION	DWN	APPROVED	DATE
C		13525	CHANGED NOTE Δ TO: REPLACE CRIMP SLEEVE 8-1613-20 WITH CRIMP SLEEVE 105-1457-101	DKC	<i>[Signature]</i>	8/1/00



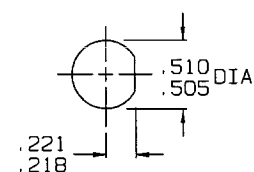
CENTER CONTACT CRIMP TOOLING			
CONTACT TYPE	MILITARY 8 POINT INDENTER	COMMERCIAL HEX	COMMERCIAL 8 POINT INDENTER
50 OHM PIN CONTACT	M22520/1-01 BASIC TOOL WITH M22520/1-12 TURRET HEAD SELECTOR NO. 6	TEI CT4L BASIC TOOL WITH TEI CD3-3 DIE, CLOSURE C (.068 HEX)	N/A
50 OHM SOCKET CONTACT	M22520/1-01 BASIC TOOL WITH M22520/1-12 TURRET HEAD SELECTOR NO. 6	TEI CT4L BASIC TOOL WITH TEI CD3-3 DIE, CLOSURE C (.068 HEX)	N/A
75 OHM PIN CONTACT	N/A	TEI CT4L BASIC TOOL WITH TEI CD3-3 DIE, CLOSURE D (.042 HEX)	TEI 010-0055
75 OHM SOCKET CONTACT	N/A	TEI CT4L BASIC TOOL WITH TEI CD3-3 DIE, CLOSURE D (.042 HEX)	TEI 010-0088



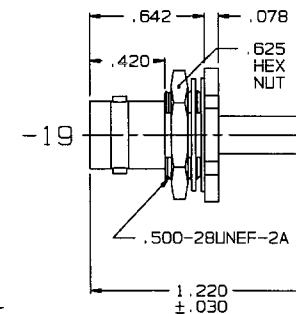
CRIMP SLEEVE TOOLING		
CONNECTOR TYPE	MILITARY HEX	COMMERCIAL HEX
50 OR 75 OHM CONNECTORS	M22520/5-01 BASIC TOOL WITH M22520/5-41 DIE, CLOSURE A (.290 HEX)	TEI CT4L BASIC TOOL WITH TEI CD3-3 DIE, CLOSURE B (.290 HEX)



RECOMMENDED
 PANEL CUTOUT
 MAX PNL THK .187



RECOMMENDED
 PANEL CUTOUT
 MAX PNL THK .218



4. EXAMPLE OF COMPLETE PART NO:
 105-1548 - 1

BASIC PART NO. DASH NO (SEE TABLE 1)

3. 50 & 75 OHM FULL CRIMP COAXIAL BNC/TNC CABLE PLUGS/ RECEPTACLE/INSULATED & NONINSULATED BULKHEAD MOUNT CABLE RECEPTACLE/PUSH-ON PLUG & 75 OHM BNC/TNC/PUSH-ON FULL CRIMP COAXIAL CABLE PLUG FOR CABLE NO. BELDEN 89248

2. FINISH: TFS-1A (NICKEL)

1. ALL DIM ARE IN INCHES

Δ REPLACE CRIMP SLEEVE 8-1613-20 WITH CRIMP SLEEVE 105-1457-101

QTY	DESCRIPTION	PART NUMBER	ITEM
TOL UNLESS SPECIFIED .XX ± .XXX ± .005 XXXXX ANGLES	TROMPETER ELECTRONICS, INC.	220/240 SERIES-89248	
DWN DKC 7-24-00	MATERIAL	CODE IDENT	DRAWING NO.
CHK		14949	105-1548
ENGR			C
NEXT ASSY	APPR	SCALE	DATE 4-21-95 SHEET 1C