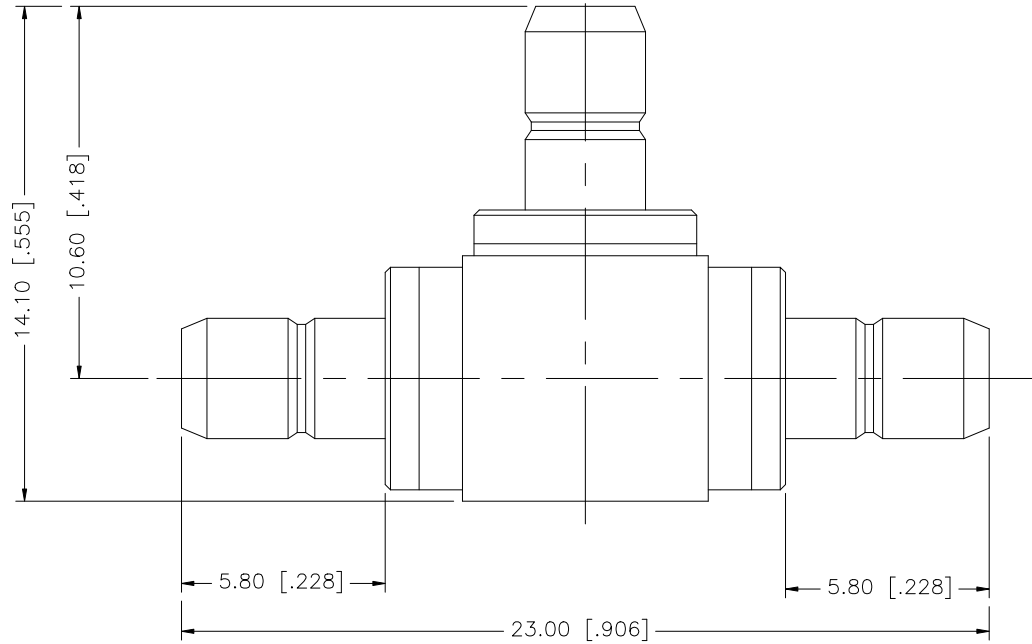


REV.	DATE	DESCRIPTION
NC	12/09/00	INITIAL RELEASE
A	02/06/08	UPDATE DRAWING FORMAT



QTY	FINISH	MATERIAL	DESCRIPTION
1	GOLD	BRASS	BODY
1	NATURAL	TEFLON	INSULATOR
1	GOLD	BRASS	CONTACT PIN
2	GOLD	BRASS	BODY
2	NATURAL	TEFLON	INSULATOR
1	GOLD	BRASS	CONTACT PIN
1	GOLD	BRASS	HOUSING
1	GOLD	BRASS	COVER

UNLESS OTHERWISE SPECIFIED DIMENSIONS ARE IN MILLIMETERS. DIMENSIONS IN [ ] ARE IN INCHES AND FOR CUSTOMER REFERENCE ONLY.		APPROVALS	DATE	<h1>Amphenol Connex</h1>	
UNLESS OTHERWISE SPECIFIED TOLERANCES FOR MILLIMETERS ARE: 0.5 - 8mm ± 0.20mm 8 - 30mm ± 0.40mm 30 - 120mm ± 0.50mm		DRAWN G.R.S.	02/06/08		
UNLESS OTHERWISE SPECIFIED TOLERANCES FOR INCHES ARE: .020 - .315 = ± 0.007" .315 - 1.180 = ± 0.015" 1.180 - 4.724 = ± 0.020"		CHECKED			
DO NOT SCALE DRAWING		ISSUED			
		SHEET 1 OF 1			
CAD FILE C:/142/142299.DWG				PART DESCRIPTION	
				SMB "T" ADAPTER JACK-JACK-JACK	
				PART NO. 142299	
DWG. NO. 142299.DWG			REV. A	SIZE A	SCALE NA