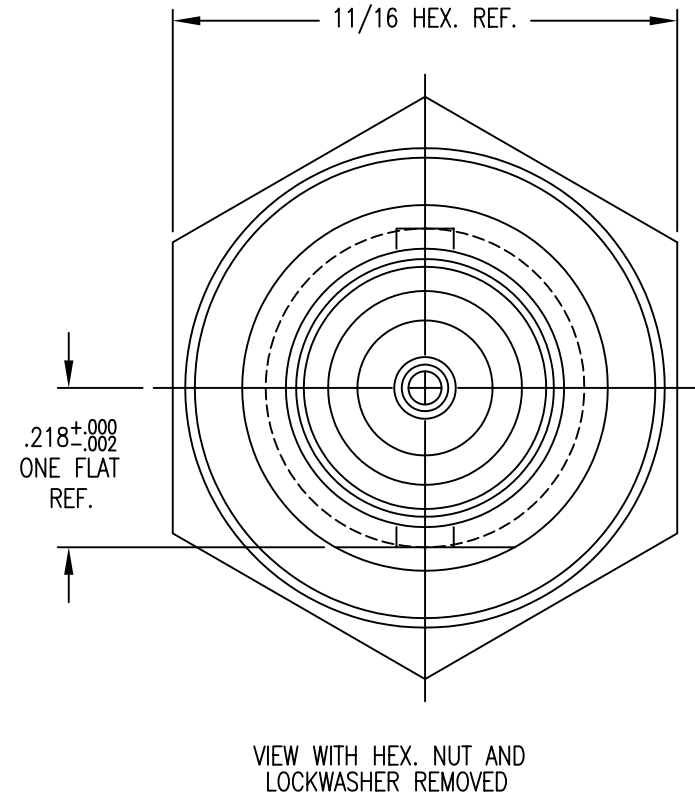
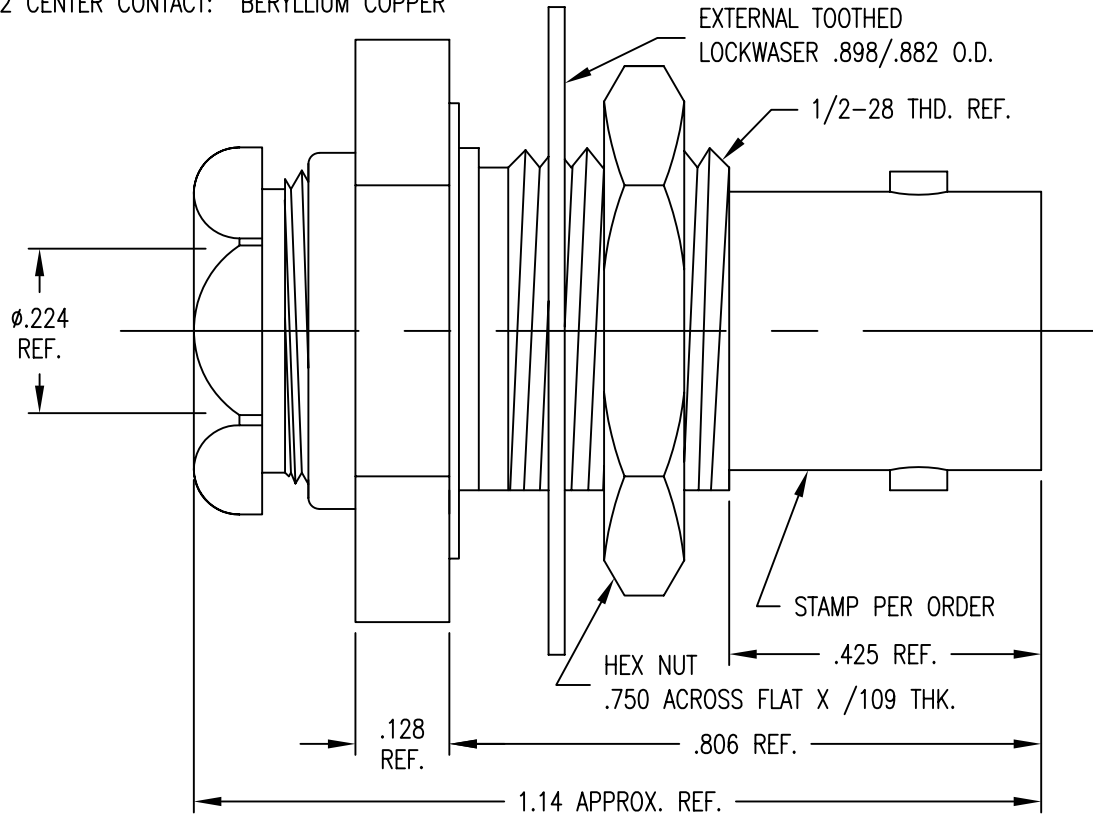


- 1.0 PERFORMANCE
- 1.1 FREQUENCY RANGE: DC-4GHz
- 1.2 VOLTAGE RATING: 500V RMS (sea level)
- 1.3 NOMINAL IMPEDANCE: 50 OHMS
- 1.4 DWV: 1500 V RMS @ 60 Hz (sea level)
- 1.5 TEMPERATURE RANGE: -65°C TO +165°C
- 2.0 MATERIALS
- 2.1 DIELECTRIC: TEFLON, ASTM-D-1710
- 2.2 CENTER CONTACT: BERYLLIUM COPPER

- 2.3 LOCKWASHER: PHOSPHOR BRONZE
- 2.4 OTHER METAL PARTS: BRASS, ASTM-B-16
- 2.5 GASKET: SILICON RUBBER ZZ-R-765, GR 50 RED
- 3.0 FINISHES
- 3.1 CENTER CONTACT: SILVER PLATED
- 3.2 ALL OTHER METAL PARTS: NICKEL PLATED
- 4.0 MECHANICAL
- 4.1 INTERFACE IN ACCORDANCE WITH MIL-STD-348

DWG NO. OL-0105-04-1	REV. A
-------------------------	-----------



PROPRIETARY  
THIS DRAWING CONTAINS CONFIDENTIAL INFORMATION  
PROPRIETARY TO SAN\*TRON INC. IT MUST NOT BE  
REPRODUCED OR DISCLOSED TO OTHERS OR USED IN  
ANY OTHER WAY, IN WHOLE OR PART EXCEPT AS  
AUTHORIZED IN WRITING BY SAN\*TRON INCORPORATED.



SAN • TRON, INC.

4 NEWBURYPORT TPK, IPSWICH, MA 01938

Rev. A <sub>1</sub>	REVISED PER SJS REVIEW	5/3/05	RF	SJS
Rev. A	ORIGINAL	5/3/05	<del>X</del>	<del>X</del>

REMOVE ALL BURRS AND SHARP  
EDGES .005 MAX.  
UNLESS OTHERWISE STATED  
ALL DIMENSIONS ARE IN INCHES  
AND APPLY AFTER PLATING

Rev.	Revisions	Date	Dwn.	Appd.
	RECOM. STOCK SIZE	FT/M PCS	QTY REQD	

UNSPECIFIED TOL.	DWN	RF	5/3/05
DEC. ± .005	CHKD	SJS	5/3/05
FRAC. ± 1/64	APPR	FSH	x
ANG. ± 1/2°			

CONCENTRICITY .004 TIR <sup>63/</sup>  
ALL MACHINED SURFACES ✓

TITLE BNC BULKHEAD JACK FOR RG-55, 58/U CABLE	
MATERIAL:	FINISH:
FSCM NO. 50896	DWG NO. OL-0105-04-1
SCALE 4:1	REV. A