

LMH6553

LMH6553 900 MHz Fully Differential Amplifier With Output Limiting Clamp



Literature Number: SNOSB07G

LMH6553

900 MHz Fully Differential Amplifier With Output Limiting Clamp

General Description

The LMH6553 is a 900 MHz differential amplifier with an integrated adjustable output limiting clamp. The clamp increases system performance and provides transient over-voltage protection to following stages. The internal clamp feature of the LMH6553 reduces or eliminates the need for external discrete overload protection networks. When used to drive ADCs, the amplifier's output clamp allows low voltage ADC inputs to be protected from being overdriven and damaged by large input signals appearing at the system input. Fast overdrive recovery of 600 ps ensures the amplifier output rapidly recovers from a clamping event and quickly resumes to follow the input signal. The LMH6553 delivers exceptional bandwidth, distortion, and noise performance ideal for driving ADCs up to 14-bits. The LMH6553 could also be used for automotive, communication, medical, test and measurement, video, and LIDAR applications.

With external gain set resistors and integrated common mode feedback, the LMH6553 can be configured as either a differential input to differential output or single ended input to differential output gain block. The LMH6553 can be AC or DC coupled at the input which makes it suitable for a wide range of applications including communication systems and high speed oscilloscope front ends. The LMH6553 is available in 8-pin PSOP and 8-pin LLP packages, and is part of our LMH® high speed amplifier family.

Features

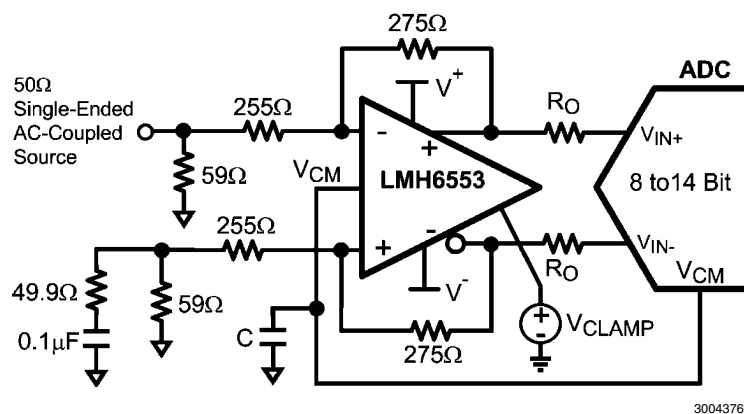
- 900 MHz -3 dB small signal bandwidth @ $A_V = 1$
- 670 MHz -3 dB large signal bandwidth @ $A_V = 1$
- -79 dB THD @ 20 MHz
- -92 dB IMD3 @ $f_c = 20$ MHz
- 10 ns settling time to 0.1%
- 600 ps clamp overdrive recovery time
- 40 mV clamp accuracy with 100% Overdrive
- -0.1 mV/°C clamp temperature drift
- 4.5 to 12 supply voltage operation

Applications

- Differential ADC driver
- Video over twisted pair
- Differential line driver
- Single end to differential converter
- High speed differential signaling
- IF/RF amplifier
- SAW filter buffer/driver
- CCD Output Limiting Amplifier
- Automotive Safety Applications

Typical Application

Single-Ended Input Differential Output ADC Driver



30043769

Absolute Maximum Ratings (Note 1)

If Military/Aerospace specified devices are required, please contact the National Semiconductor Sales Office/ Distributors for availability and specifications.

| | |
|---|-----------|
| ESD Tolerance (Note 5) | |
| Human Body Model | 4000V |
| Machine Model | 350V |
| Supply Voltage | 13.2V |
| Common Mode Input Voltage | $\pm V_S$ |
| Maximum Input Current (pins 1, 2, 7, 8) | 30 mA |
| Maximum Output Current (pins 4, 5) | (Note 4) |
| Maximum Junction Temperature | 150°C |

For soldering specifications see product folder at www.national.com and www.national.com/ms/MS/MS-SOLDERING.pdf

Operating Ratings (Note 1)

| | |
|--|-----------------|
| Operating Temperature Range (Note 3) | -40°C to +125°C |
| Storage Temperature Range | -65°C to +150°C |
| Total Supply Voltage | 4.5V to 12V |
| Package Thermal Resistance (θ_{JA}) | |
| 8-Pin PSOP | 59°C/W |
| 8-Pin LLP | 58°C/W |

$V_S = \pm 5V$ Electrical Characteristics (Note 2)

Unless otherwise specified, all limits are guaranteed for $T_A = 25^\circ\text{C}$, $V_S = \pm 5V$, $A_V = 1$, $V_{CM} = 0V$, $V_{CLAMP} = 3V$, $R_F = R_G = 275\Omega$, $R_L = 200\Omega$, for single-ended in, differential out. **Boldface** limits apply at the temperature extremes.

| Symbol | Parameter | Conditions | Min (Note 8) | Typ (Note 7) | Max (Note 8) | Units |
|--------------------------------------|---|---|--------------|--------------|--------------|------------------------|
| AC Performance (Differential) | | | | | | |
| SSBW | Small Signal -3 dB Bandwidth (Note 8) | $V_{OUT} = 0.2 V_{PP}$, $A_V = 1$, $R_L = 1\text{ k}\Omega$ | | 900 | | MHz |
| | | $V_{OUT} = 0.2 V_{PP}$, $A_V = 1$ | | 720 | | |
| | | $V_{OUT} = 0.2 V_{PP}$, $A_V = 2$ | | 680 | | |
| | | $V_{OUT} = 0.2 V_{PP}$, $A_V = 4$ | | 630 | | |
| | | $V_{OUT} = 0.2 V_{PP}$, $A_V = 8$, ($R_F = 400\Omega$, $R_G = 50\Omega$) | | 350 | | |
| LSBW | Large Signal -3 dB Bandwidth | $V_{OUT} = 2 V_{PP}$, $A_V = 1$, $R_L = 1\text{ k}\Omega$ | | 670 | | MHz |
| | | $V_{OUT} = 2 V_{PP}$, $A_V = 1$ | | 540 | | |
| | | $V_{OUT} = 2 V_{PP}$, $A_V = 2$ | | 530 | | |
| | | $V_{OUT} = 2 V_{PP}$, $A_V = 4$ | | 490 | | |
| | | $V_{OUT} = 2 V_{PP}$, $A_V = 8$, ($R_F = 400\Omega$, $R_G = 50\Omega$) | | 350 | | |
| | 0.1 dB Bandwidth | $V_{OUT} = 0.2 V_{PP}$, $A_V = 1$ | | 50 | | MHz |
| | 0.5 dB Bandwidth | $V_{OUT} = 0.2 V_{PP}$, $A_V = 1$ | | 525 | | MHz |
| | Slew Rate | 4V Step, $A_V = 1$ | | 2300 | | V/ μs |
| | Rise/Fall Time, 10%-90% | 2V Step | | 690 | | ps |
| | 0.1% Settling Time | 2V Step | | 10 | | ns |
| | 1.0% Settling Time | 2V Step | | 6 | | ns |
| Distortion and Noise Response | | | | | | |
| HD2 | 2 nd Harmonic Distortion | $V_{OUT} = 2 V_{PP}$, $f = 20\text{ MHz}$, $R_L = 800\Omega$ | | -79 | | dBc |
| | | $V_{OUT} = 2 V_{PP}$, $f = 70\text{ MHz}$, $R_L = 800\Omega$ | | -78 | | |
| HD3 | 3 rd Harmonic Distortion | $V_{OUT} = 2 V_{PP}$, $f = 20\text{ MHz}$, $R_L = 800\Omega$ | | -90 | | dBc |
| | | $V_{OUT} = 2 V_{PP}$, $f = 70\text{ MHz}$, $R_L = 800\Omega$ | | -71 | | |
| IMD3 | 3 rd -Order Two-Tone Intermodulation | $f_c = 20\text{ MHz}$, $V_{OUT} = 2 V_{PP}$ Composite, $R_L = 200\Omega$ | | -92 | | dBc |
| | | $f_c = 150\text{ MHz}$, $V_{OUT} = 2 V_{PP}$ Composite, $R_L = 200\Omega$ | | -76 | | |
| | Input Noise Voltage | $f = 100\text{ kHz}$ | | 1.2 | | nV/ $\sqrt{\text{Hz}}$ |
| | Input Noise Current | $f = 100\text{ kHz}$ | | 13.6 | | pA/ $\sqrt{\text{Hz}}$ |
| | Noise Figure (See Figure 5) | 50 Ω System, $A_V = 9$, 10 MHz | | 10.3 | | dB |

| Symbol | Parameter | Conditions | Min (Note 8) | Typ (Note 7) | Max (Note 8) | Units |
|---|--|--|-----------------|-----------------|-----------------|--------------------------------|
| Input Characteristics | | | | | | |
| I_{BI} | Input Bias Current (Note 11) | | -95 | 50 | 95 | μA |
| I_{Boffset} | Input Bias Current Differential (Note 7) | $V_{CM} = 0V, V_{ID} = 0V, I_{\text{Boffset}} = (I_{B-} - I_{B+})/2$ | -18 | 2.5 | 18 | μA |
| CMRR | Common Mode Rejection Ratio (Note 7) | DC, $V_{CM} = 0V, V_{ID} = 0V$ | | 82 | | dBc |
| R_{IN} | Input Resistance | Differential | | 15 | | Ω |
| C_{IN} | Input Capacitance | Differential | | 0.5 | | pF |
| CMVR | Input Common Mode Voltage Range | CMRR > 38 dB | ± 3.3 | ± 3.6 | | V |
| Output Performance | | | | | | |
| | Output Voltage Level (Note 7) | Single-Ended Output | -3.7 | ± 3.78 | +3.7 | V |
| I_{OUT} | Linear Output Current (Note 7) | $V_{OUT} = 0V$ | ± 100 | ± 120 | | mA |
| I_{SC} | Short Circuit Current | One Output Shorted to Ground $V_{IN} = 2V$ Single-Ended (Note 6) | | ± 150 | | mA |
| Clamp Performance | | | | | | |
| V_{CLAMP} | V_{CLAMP} Voltage Range | Continuous Operation (Note 11) | V_{CM} | | $V_{CM} + 2.0$ | V |
| | V_{CLAMP} Peak Voltage | (Note 14) | | | $V_{CM} + 3.0$ | |
| | Default V_{CLAMP} Voltage | V_{CLAMP} Floating | 0.92 | 1.0 | 1.08 | V |
| | Upper Clamp Level Accuracy | $V_{CLAMP} = 2V, V_{CM} = 1.5V, V_O = 2V, 100\%$ Overdrive | -53 | -40 | +53 | mV |
| | Lower Clamp Level Accuracy | $V_{CLAMP} = 2V, V_{CM} = 1.5V, V_O = 1V, 100\%$ Overdrive | -30 | -8 | +30 | |
| | Clamp Accuracy Temperature Drift | | | -0.1 | | mV/ $^{\circ}\text{C}$ |
| | Clamp Pin Bias Current | $V_{IN} = 0V, V_{CLAMP(MIN)} = -3.1V$ | -200 | -175 | | μA |
| | | $V_{IN} = 0V, V_{CLAMP(MAX)} = +4.5V$ | | 150 | 175 | |
| | Clamp Pin Bias Drift | | | 0.3 | | $\mu\text{A}/^{\circ}\text{C}$ |
| | Diff Amp Input Bias Shift | Linear to Clamped Operation | | 60 | | μA |
| | Clamp Pin Input Impedance | | | 30 1 | | K Ω /pF |
| | Clamp Pin Feedthrough | $f = 10\text{ MHz}$ | | -60 | | dB |
| | Clamp Bandwidth | $0.5V_{DC} + 40\text{ mV}_{PP}, SE V_{IN} = 2V$ | | 140 | | MHz |
| | Clamp Slew Rate | 100% Overdrive | | 64 | | V/ μs |
| | Clamp Overshoot | $V_{IN} = 2V$ Step, $A_V = 2\text{ V/V}, V_{CLAMP} = 0.5V,$ $V_{CM} = 0V, 100\%$ Overdrive | | 125 | | mV |
| | Clamp Overshoot | $V_{IN} = 2V$ Step, $A_V = 2\text{ V/V}, V_{CLAMP} = 2V,$ $V_{CM} = 1.5V, 100\%$ Overdrive | | 250 | | mV |
| | Clamp Overshoot Width | (Note 13) | | 650 | | ps |
| | Clamp Overdrive Recovery Time | $V_{IN} = 2V$ Step, $A_V = 2\text{ V/V}, V_{CLAMP} = 0.5V,$ $V_{CM} = 0V, 50\%$ Output Crossing | | 600 | | ps |
| | Linearity Guardband (Note 12) | $f = 75\text{ MHz}, V_{OD} = 2\text{ V}_{PP}, R_L = 800, \text{SFDR}$ Down 3 dB | | 22 | | mV |
| Output Common Mode Control Circuit | | | | | | |
| | Common Mode Small Signal Bandwidth | $V_{IN+} = V_{IN-} = 0$ | | 220 | | MHz |
| | Slew Rate | $V_{IN+} = V_{IN-} = 0$ | | 340 | | V/ μs |

| Symbol | Parameter | Conditions | Min (Note 8) | Typ (Note 7) | Max (Note 8) | Units |
|----------------------------------|------------------------------|---|-----------------|-----------------|-----------------|-------------------|
| V_{OSCM} | Output Common Mode Error | Common Mode, $V_{IN} = \text{Float}$, $V_{CM} = 0$ | -25 | 1 | 25 | mV |
| | Input Bias Current | $V_{CM(TYPICAL)} = 0$, (Note 9) | -8 | -3.5 | 1 | μA |
| | | $V_{CM(MIN)} = -3.2\text{ V}$, (Note 9) | -9 | -4.5 | | |
| | | $V_{CM(MAX)} = +3.2\text{ V}$, (Note 9) | | -2.5 | 2 | |
| | Voltage Range | | ± 3.14 | ± 3.18 | | V |
| | CMRR | Measure V_{OD} , $V_{ID} = 0\text{ V}$ | | 80 | | dB |
| | Input Resistance | | | 200 | | $\text{k}\Omega$ |
| | Gain | $\Delta V_{O,CM}/\Delta V_{CM}$ | 0.995 | 1.00 | 1.008 | V/V |
| Miscellaneous Performance | | | | | | |
| Z_T | Open Loop Transimpedance | Differential | | 112 | | $\text{dB}\Omega$ |
| PSRR | Power Supply Rejection Ratio | DC, $\Delta V_S = \pm 1\text{ V}$ | | 87 | | dB |
| I_S | Supply Current | $R_L = \infty$ | 25 | 29.1 | 33 37 | mA |

$V_S = \pm 2.5\text{ V}$ Electrical Characteristics (Note 2)

Unless otherwise specified, all limits are guaranteed for $T_A = 25^\circ\text{C}$, $V_S = \pm 2.5\text{ V}$, $A_V = 1$, $V_{CM} = 0\text{ V}$, $V_{CLAMP} = 2\text{ V}$, $R_F = R_G = 275\Omega$, $R_L = 200\Omega$, for single-ended in, differential out. **Boldface** limits apply at the temperature extremes.

| Symbol | Parameter | Conditions | Min (Note 8) | Typ (Note 7) | Max (Note 8) | Units |
|--------------------------------------|---|---|-----------------|-----------------|-----------------|------------------------------|
| AC Performance (Differential) | | | | | | |
| SSBW | Small Signal -3 dB Bandwidth (Note 8) | $V_{OUT} = 0.2 V_{PP}$, $A_V = 1$, $R_L = 1\text{ k}\Omega$ | | 875 | | MHz |
| | | $V_{OUT} = 0.2 V_{PP}$, $A_V = 1$ | | 630 | | |
| | | $V_{OUT} = 0.2 V_{PP}$, $A_V = 2$ | | 580 | | |
| | | $V_{OUT} = 0.2 V_{PP}$, $A_V = 4$ | | 540 | | |
| | | $V_{OUT} = 0.2 V_{PP}$, $A_V = 8$, ($R_F = 400\Omega$, $R_G = 50\Omega$) | | 315 | | |
| LSBW | Large Signal -3 dB Bandwidth | $V_{OUT} = 2 V_{PP}$, $A_V = 1$, $R_L = 1\text{ k}\Omega$ | | 640 | | MHz |
| | | $V_{OUT} = 2 V_{PP}$, $A_V = 1$ | | 485 | | |
| | | $V_{OUT} = 2 V_{PP}$, $A_V = 2$ | | 435 | | |
| | | $V_{OUT} = 2 V_{PP}$, $A_V = 4$ | | 420 | | |
| | | $V_{OUT} = 2 V_{PP}$, $A_V = 8$, ($R_F = 400\Omega$, $R_G = 50\Omega$) | | 405 | | |
| | 0.1 dB Bandwidth | $V_{OUT} = 0.2 V_{PP}$, $A_V = 1$ | | 60 | | MHz |
| | 0.5 dB Bandwidth | $V_{OUT} = 0.2 V_{PP}$, $A_V = 1$ | | 236 | | MHz |
| | Slew Rate | 2V Step, $A_V = 1$ | | 1350 | | V/ μs |
| | Rise/Fall Time, 10%-90% | 2V Step | | 860 | | ps |
| | 0.1% Settling Time | 2V Step | | 10 | | ns |
| | 1.0% Settling Time | 2V Step | | 6 | | ns |
| Distortion and Noise Response | | | | | | |
| HD2 | 2 nd Harmonic Distortion | $V_{OUT} = 2 V_{PP}$, $f = 20\text{ MHz}$, $R_L = 800\Omega$ | | -80 | | dBc |
| | | $V_{OUT} = 2 V_{PP}$, $f = 70\text{ MHz}$, $R_L = 800\Omega$ | | -72 | | |
| HD3 | 3 rd Harmonic Distortion | $V_{OUT} = 2 V_{PP}$, $f = 20\text{ MHz}$, $R_L = 800\Omega$ | | -78 | | dBc |
| | | $V_{OUT} = 2 V_{PP}$, $f = 70\text{ MHz}$, $R_L = 800\Omega$ | | -66 | | |
| IMD3 | 3 rd -Order Two-Tone Intermodulation | $f_c = 20\text{ MHz}$, $V_{OUT} = 2 V_{PP}$ Composite, $R_L = 200\Omega$ | | -87 | | dBc |
| | | $f_c = 150\text{ MHz}$, $V_{OUT} = 2 V_{PP}$ Composite, $R_L = 200\Omega$ | | -68 | | |
| | Input Noise Voltage | $f = 100\text{ kHz}$ | | 1.1 | | $\text{nV}/\sqrt{\text{Hz}}$ |
| | Input Noise Current | $f = 100\text{ kHz}$ | | 13.6 | | $\text{pA}/\sqrt{\text{Hz}}$ |

| Symbol | Parameter | Conditions | Min (Note 8) | Typ (Note 7) | Max (Note 8) | Units |
|---|--|--|-----------------|-----------------|-----------------|----------|
| | Noise Figure (See Figure 5) | 50Ω System, $A_V = 9$, 10 MHz | | 10.3 | | dB |
| Input Characteristics | | | | | | |
| I_{BI} | Input Bias Current (Note 11) | | -90 | 45 | 90 | μA |
| $I_{Boffset}$ | Input Bias Current Differential (Note 7) | $V_{CM} = 0V, V_{ID} = 0V, I_{Boffset} = (I_{B-} - I_{B+})/2$ | -24 | 2 | 24 | μA |
| CMRR | Common Mode Rejection Ratio (Note 7) | DC, $V_{CM} = 0V, V_{ID} = 0V$ | | 80 | | dBc |
| R_{IN} | Input Resistance | Differential | | 15 | | Ω |
| C_{IN} | Input Capacitance | Differential | | 0.5 | | pF |
| CMVR | Input Common Mode Voltage Range | CMRR > 38 dB | ±1.0 | ±1.2 | | V |
| Output Performance | | | | | | |
| | Output Voltage Swing (Note 7) | Differential Output | 5.32 | 5.47 | | V_{PP} |
| I_{OUT} | Linear Output Current (Note 7) | $V_{OUT} = 0V$ | ±75 | ±95 | | mA |
| I_{SC} | Short Circuit Current | One Output Shorted to Ground $V_{IN} = 2V$ Single-Ended (Note 6) | | ±140 | | mA |
| Clamp Performance | | | | | | |
| V_{CLAMP} | V_{CLAMP} Voltage Range | Continuous Operation (Note 11) | V_{CM} | | $V_{CM} + 2.0$ | V |
| | V_{CLAMP} Peak Voltage | (Note 14) | | | $V_{CM} + 3.0$ | |
| | Default V_{CLAMP} Voltage | V_{CLAMP} Floating | 0.42 | 0.48 | 0.54 | V |
| | Upper Clamp Level Accuracy | $V_{IN} = 0V, V_{CLAMP} = +0.5V, V_{CM} = 0, V_O = +0.5V, 100\% \text{ Overdrive}$ | -39 | -30 | +39 | mV |
| | Lower Clamp Level Accuracy | $V_{IN} = 0V, V_{CLAMP} = +0.5V, V_{CM} = 0, V_O = -0.5V, 100\% \text{ Overdrive}$ | -18 | 6 | +18 | |
| | Clamp Accuracy Temperature Drift | | | -0.1 | | mV/°C |
| | Clamp Pin Bias Current | $V_{IN} = 0V, V_{CLAMP} = 1V, V_{CM} = 0$ | | 23.5 | | μA |
| | Clamp Pin Bias Drift | | | 0.3 | | μA/°C |
| | Diff Amp Input Bias Shift | Linear to Clamped Operation | | 50 | | μA |
| | Clamp Pin Input Impedance | | | 30 1 | | kΩ/pF |
| | Clamp Pin Feedthrough | $f = 10 \text{ MHz}$ | | -60 | | dB |
| | Clamp Bandwidth | $0.5V_{DC} + 40 \text{ mV}_{PP}, SE V_{IN} = 2V$ | | 125 | | MHz |
| | Clamp Slew Rate | 100% Overdrive | | 52 | | V/μs |
| | Clamp Overshoot | $V_{IN} = 1V \text{ Step}, A_V = 2 \text{ V/V}, V_{CLAMP} = 0.5V, V_{CM} = 0V, 100\% \text{ Overdrive}$ | | 105 | | mV |
| | Clamp Overshoot | $V_{IN} = 1V \text{ Step}, A_V = 2 \text{ V/V}, V_{CLAMP} = 1V, V_{CM} = 0.5V, 100\% \text{ Overdrive}$ | | 105 | | mV |
| | Clamp Overshoot Width | (Note 13) | | 650 | | ps |
| | Clamp Overdrive Recovery Time | $V_{IN} = 2V \text{ Step}, A_V = 2 \text{ V/V}, V_{CLAMP} = 0.5V, V_{CM} = 0V, 50\% \text{ Output Crossing}$ | | 600 | | ps |
| | Linearity Guardband (Note 12) | $f = 75 \text{ MHz}, V_{OD} = 2 V_{PP}, R_L = 800, \text{SFDR Down } 3 \text{ dB}$ | | 40 | | mV |
| Output Common Mode Control Circuit | | | | | | |
| | Common Mode Small Signal Bandwidth | $V_{IN+} = V_{IN-} = 0$ | | 130 | | MHz |
| | Slew Rate | $V_{IN+} = V_{IN-} = 0$ | | 186 | | V/μs |

| Symbol | Parameter | Conditions | Min (Note 8) | Typ (Note 7) | Max (Note 8) | Units |
|----------------------------------|------------------------------|---|-----------------|-----------------|-----------------|-------------------|
| V_{OSCM} | Output Common Mode Error | Common Mode, $V_{IN} = \text{float}$, $V_{CM} = 0$ | -20 | 2 | 20 | mV |
| | Input Bias Current | $V_{CM} = 0$, (Note 9) | | -3.5 | | μA |
| | Voltage Range | | ± 0.75 | ± 0.81 | | V |
| | CMRR | Measure V_{OD} , $V_{ID} = 0\text{V}$ | | 84 | | dB |
| | Input Resistance | | | 200 | | $\text{k}\Omega$ |
| | Gain | $\Delta V_{O,CM} / \Delta V_{CM}$ | 0.995 | 1.00 | 1.008 | V/V |
| Miscellaneous Performance | | | | | | |
| Z_T | Open Loop Transimpedance | Differential | | 105 | | $\text{dB}\Omega$ |
| PSRR | Power Supply Rejection Ratio | DC, $\Delta V_S = \pm 1\text{V}$ | | 85 | | dB |
| I_S | Supply Current | $R_L = \infty$ | 23 | 26.5 | 30 34 | mA |

Note 1: Absolute Maximum Ratings indicate limits beyond which damage to the device may occur. Operating Ratings indicate conditions for which the device is intended to be functional, but specific performance is not guaranteed. For guaranteed specifications, see the Electrical Characteristics tables.

Note 2: Electrical Table values apply only for factory testing conditions at the temperature indicated. Factory testing conditions result in very limited self-heating of the device such that $T_J = T_A$. No guarantee of parametric performance is indicated in the electrical tables under conditions of internal self-heating where $T_J > T_A$. See Applications Section for information on temperature de-rating of this device. Min/Max ratings are based on product characterization and simulation. Individual parameters are tested as noted.

Note 3: The maximum power dissipation is a function of $T_{J(MAX)}$, θ_{JA} . The maximum allowable power dissipation at any ambient temperature is $P_D = (T_{J(MAX)} - T_A) / \theta_{JA}$. All numbers apply for packages soldered directly onto a PC Board.

Note 4: The maximum output current (I_{OUT}) is determined by device power dissipation limitations. See the Power Dissipation section of the Application Section for more details.

Note 5: Human Body Model, applicable std. MIL-STD-883, Method 30157. Machine Model, applicable std. JESD22-A115-A (ESD MM std. of JEDEC). Field-Induced Charge-Device Model, applicable std. JESD22-C101-C (ESD FICDM std. of JEDEC).

Note 6: Short circuit current should be limited in duration to no more than 10 seconds. See the Power Dissipation section of the Application Information for more details.

Note 7: Typical values represent the most likely parametric norm as determined at the time of characterization. Actual typical values may vary over time and will also depend on the application and configuration. The typical values are not tested and are not guaranteed on shipped production material.

Note 8: Limits are 100% production tested at 25°C. Limits over the operating temperature range are guaranteed through correlation using Statistical Quality Control (SQC) methods.

Note 9: Negative current implies current flowing out of the device.

Note 10: I_{BI} is referred to a differential output offset voltage by the following relationship: $V_{OD(\text{offset})} = I_{BI} \cdot 2R_F$

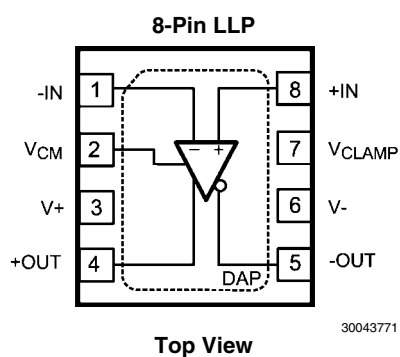
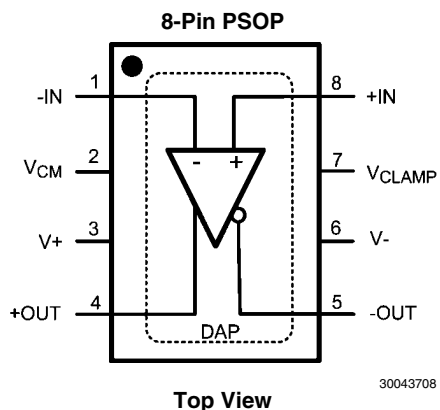
Note 11: Exceeding limits could result in excessive device current.

Note 12: Linearity Guardband is defined for an output sinusoid ($f = 75\text{ MHz}$, $V_{OD} = 2 V_{PP}$). It is the difference between the V_{CLAMP} level and the peak output voltage where the SFDR is decreased by 3 dB.

Note 13: Clamp Overshoot Width is the duration of overshoot in a 100% overdrive condition.

Note 14: This parameter is guaranteed by design and/or characterization and is not tested in production. The condition of $V_{CLAMP} = 3\text{V}$ is not intended for continuous operation; continuous operation with $V_{CLAMP} = 3\text{V}$ may incur permanent damage to the device.

Connection Diagrams



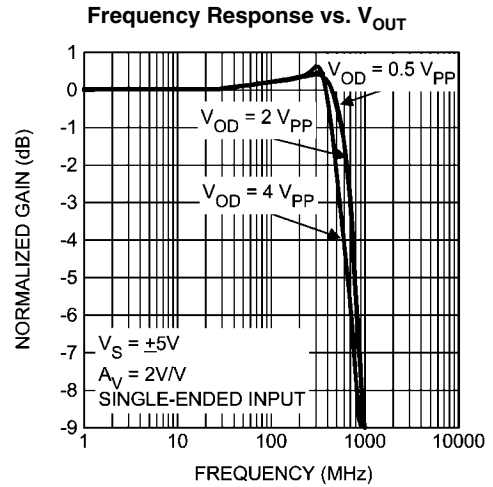
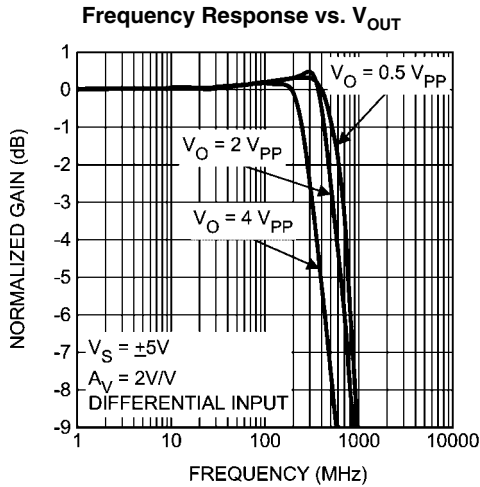
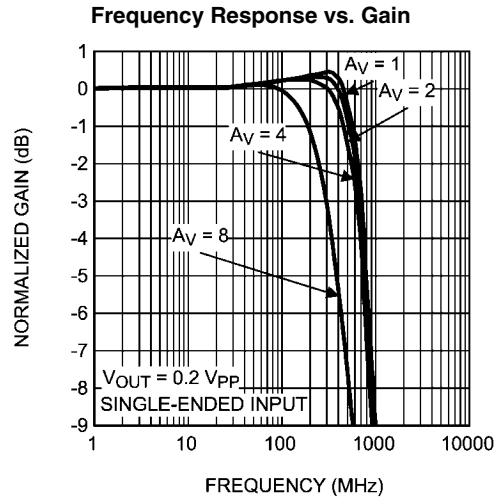
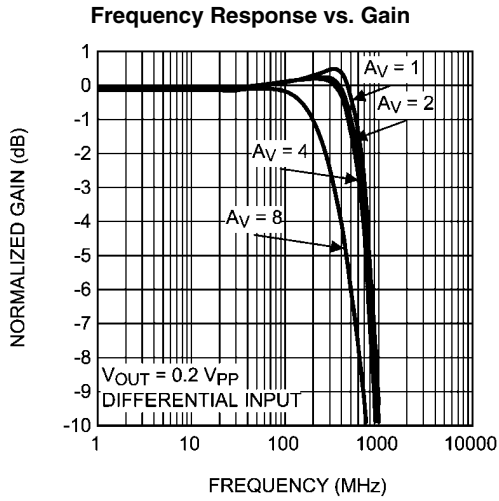
Pin Descriptions

| Pin No. | Pin Name | Description |
|---------|-------------|---|
| 1 | -IN | Negative Input |
| 2 | V_{CM} | Output Common Mode Control |
| 3 | V+ | Positive Supply |
| 4 | +OUT | Positive Output |
| 5 | -OUT | Negative Output |
| 6 | V- | Negative Supply |
| 7 | V_{CLAMP} | Output Voltage Clamp Control |
| 8 | +IN | Positive Input |
| DAP | DAP | Die Attach Pad (See Thermal Performance section for more information) |

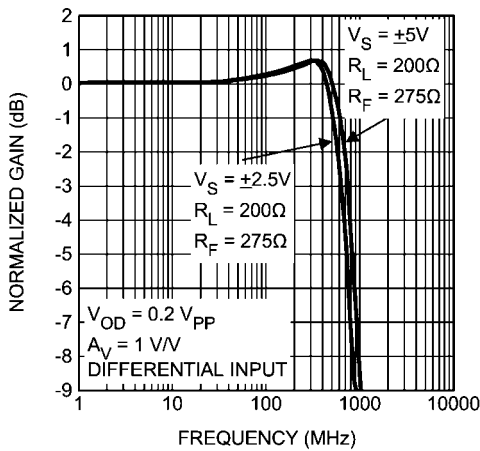
Ordering Information

| Package | Part Number | Package Marking | Transport Media | NSC Drawing |
|------------|-------------|-----------------|--------------------------|-------------|
| 8-Pin PSOP | LMH6553MR | LMH6553MR | 95 Units/Rails | MRA08A |
| | LMH6553MRE | | 250 Units Tape and Reel | |
| | LMH6553MRX | | 2.5k Units Tape and Reel | |
| 8-Pin LLP | LMH6553SD | 6553 | 1k Units Tape and Reel | SDA08C |
| | LMH6553SDE | | 250 Units Tape and Reel | |
| | LMH6553SDX | | 4.5k Units Tape and Reel | |

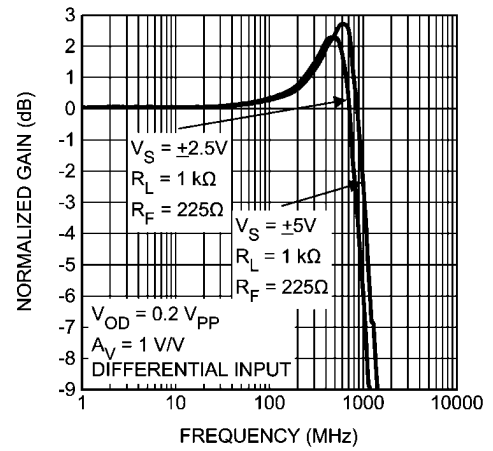
Typical Performance Characteristics $V_S = \pm 5V$ ($T_A = 25^\circ C, R_F = R_G = 275\Omega, R_L = 200\Omega, A_V = 1$, for single ended in, differential out, unless specified).



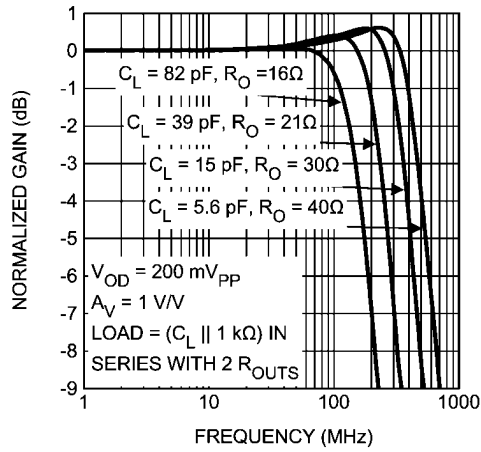
Frequency Response vs. Supply Voltage ($R_L = 200\Omega$)



Frequency Response vs. Supply Voltage ($R_L = 1 k\Omega$)

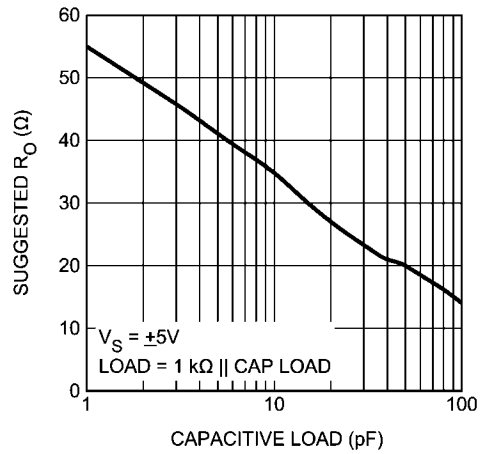


Frequency Response vs. Capacitive Load



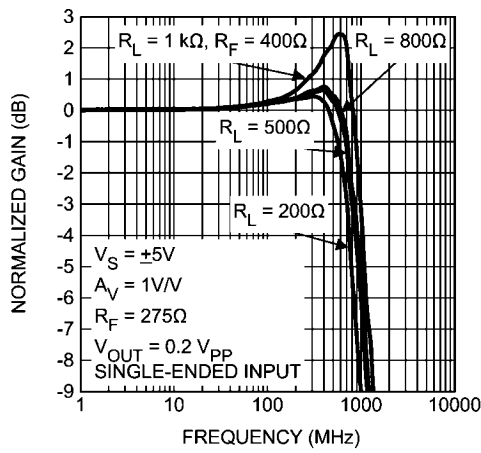
30043721

Suggested R_O vs. Capacitive Load



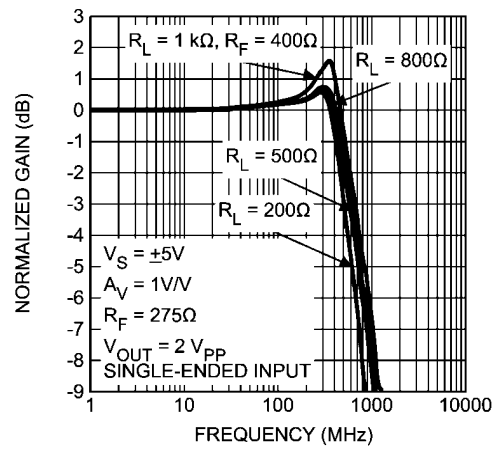
30043722

Frequency Response vs. Resistive Load



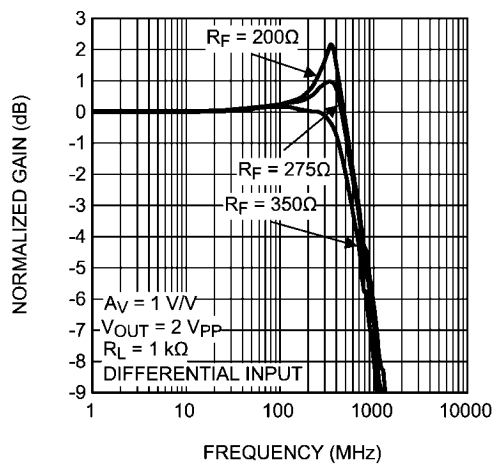
30043759

Frequency Response vs. Resistive Load



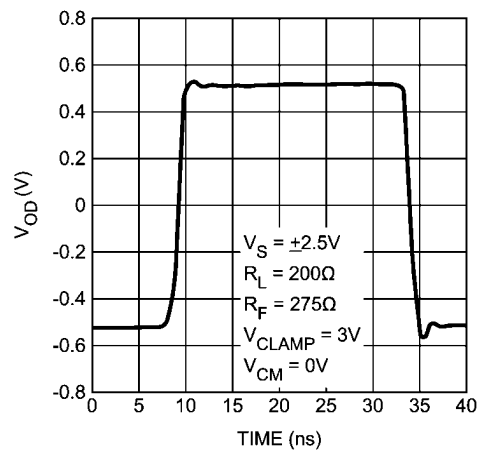
30043760

Frequency Response vs. R_F



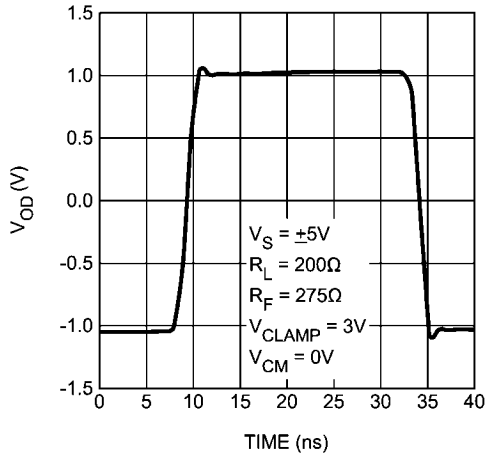
30043761

1 V_{PP} Pulse Response Single-Ended Input



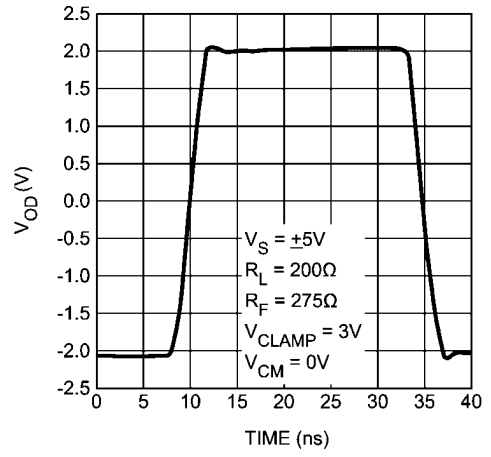
30043726

2 V_{PP} Pulse Response Single-Ended Input



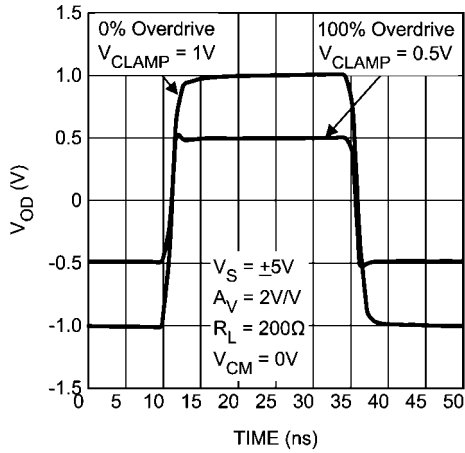
30043727

4 V_{PP} Pulse Response Single-Ended Input



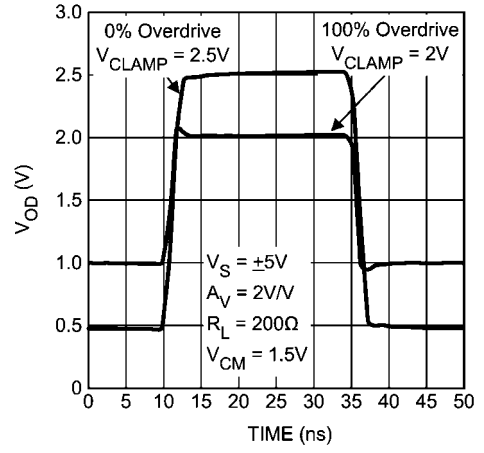
30043725

Pulse Response with 0% and 100% Overdrive



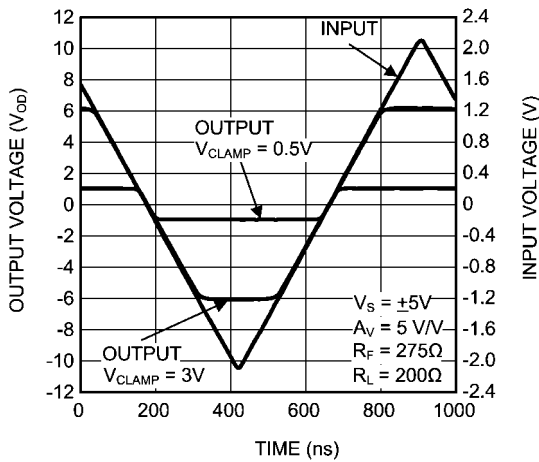
30043774

Pulse Response with 0% and 100% Overdrive



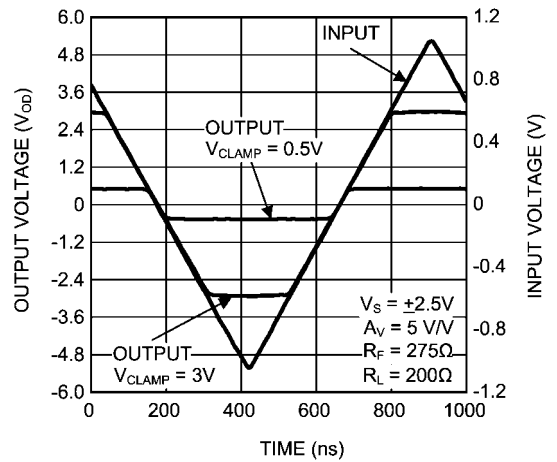
30043775

Overdrive Recovery with V_S = ±5V



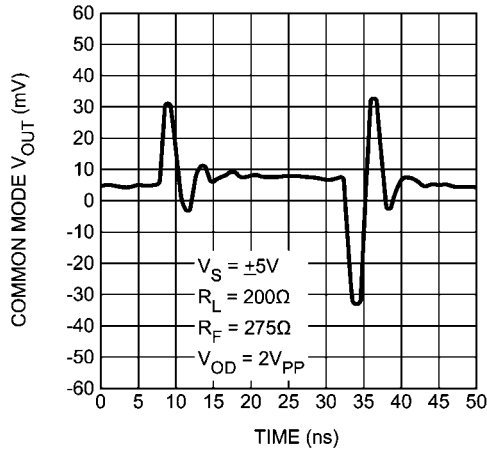
30043757

Overdrive Recovery with V_S = ±2.5V



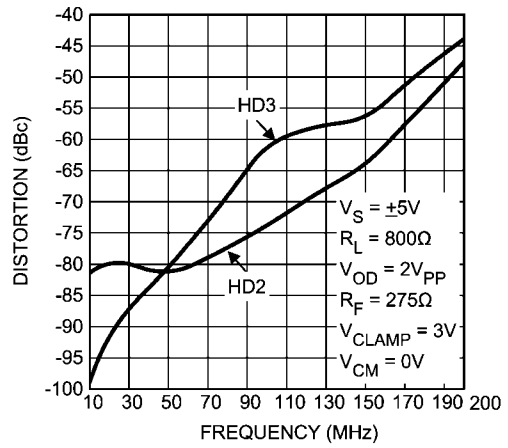
30043758

Output Common Mode Pulse Response



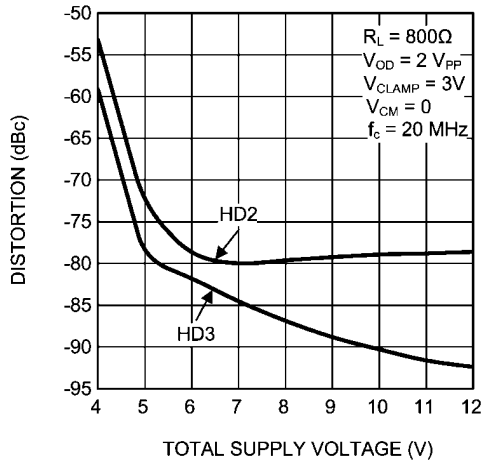
30043724

Distortion vs. Frequency Single-Ended Input ($R_L=800\Omega$)



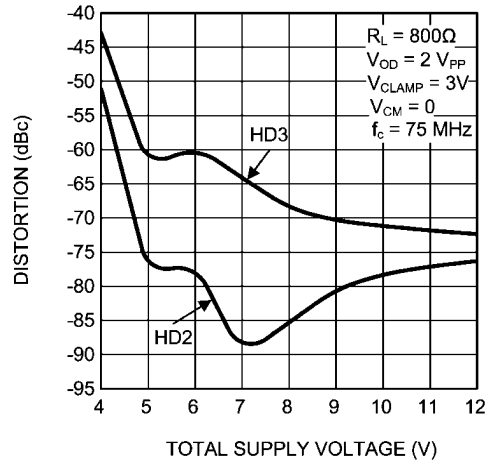
30043729

Distortion vs. Supply Voltage ($f_c=20\text{MHz}$, $R_L=800\Omega$)



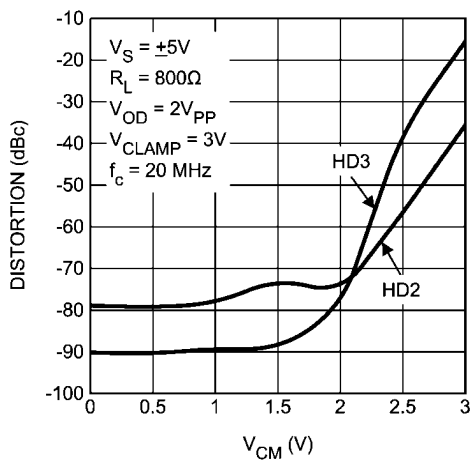
30043743

Distortion vs. Supply Voltage ($f_c=75\text{MHz}$, $R_L=800\Omega$)



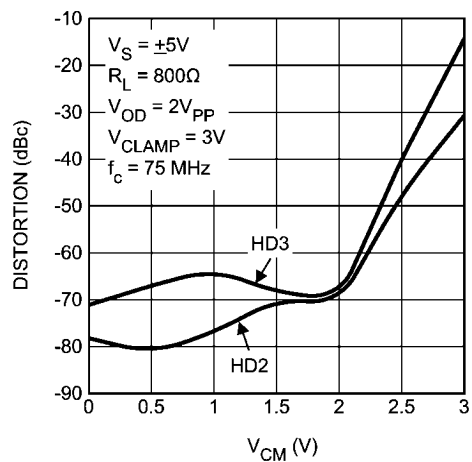
30043737

Distortion vs. V_{CM} ($f_c=20\text{MHz}$, $R_L=800\Omega$)



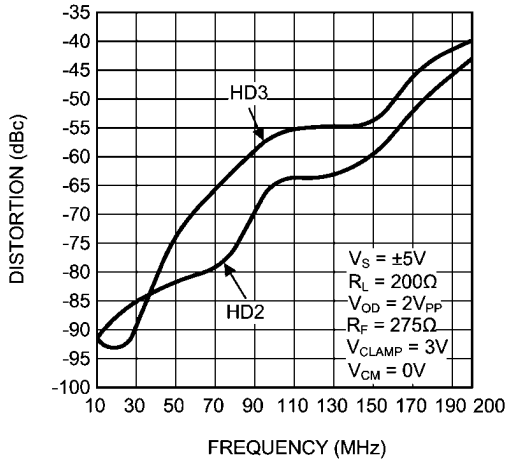
30043738

Distortion vs. V_{CM} ($f_c=75\text{MHz}$, $R_L=800\Omega$)



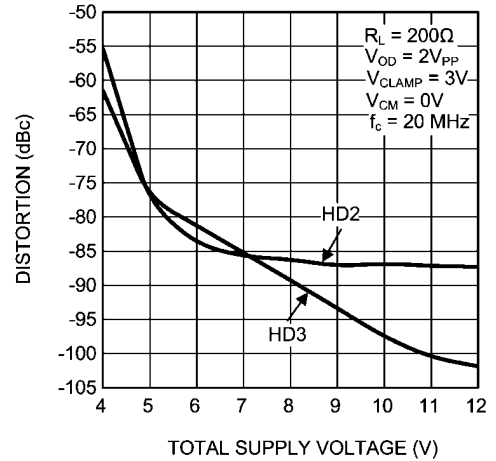
30043767

Distortion vs. Frequency Single-Ended Input ($R_L=200\Omega$)



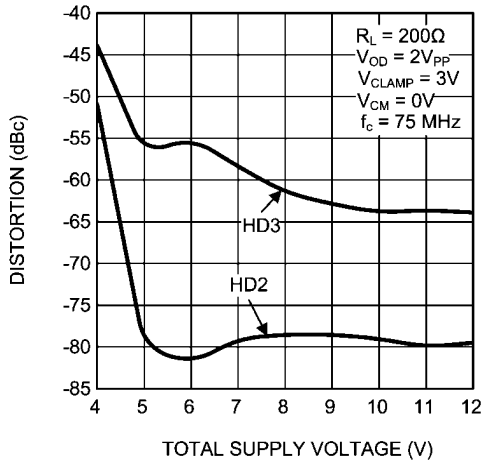
30043781

Distortion vs. Supply Voltage ($f_c=20\text{MHz}$, $R_L=200\Omega$)



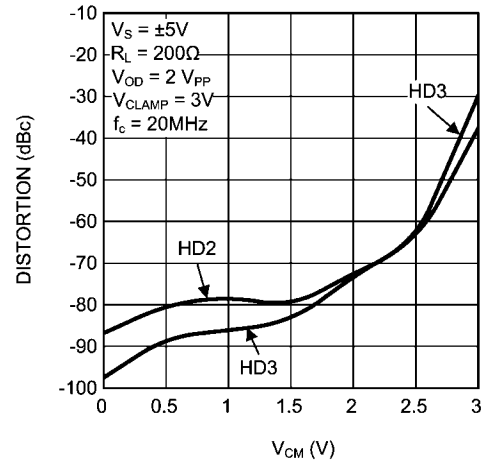
30043782

Distortion vs. Supply Voltage ($f_c=75\text{MHz}$, $R_L=200\Omega$)



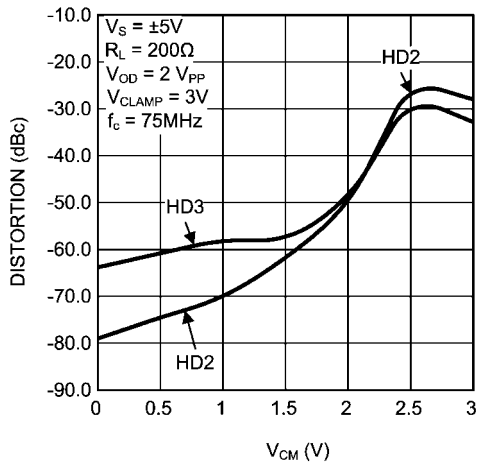
30043783

Distortion vs. V_{CM} ($f_c=20\text{MHz}$, $R_L=200\Omega$)



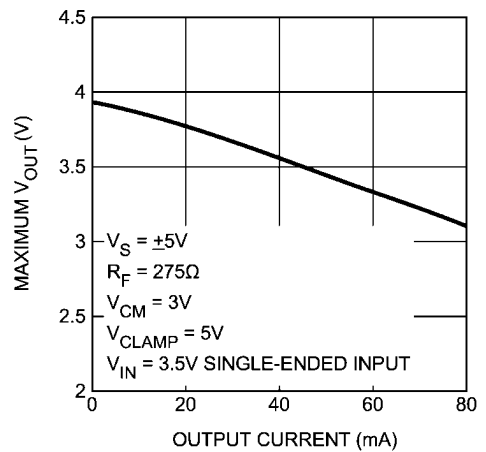
30043784

Distortion vs. V_{CM} ($f_c=75\text{MHz}$, $R_L=200\Omega$)

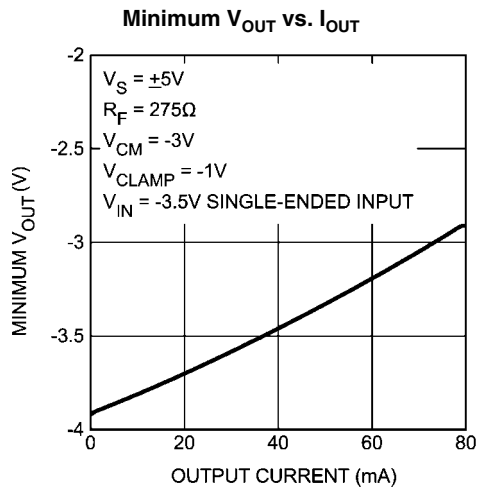


30043785

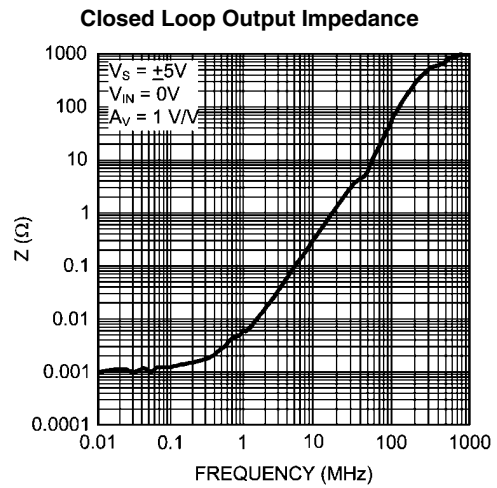
Maximum V_{OUT} vs. I_{OUT}



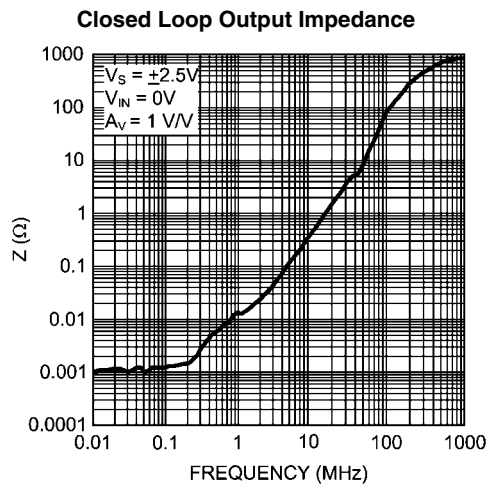
30043730



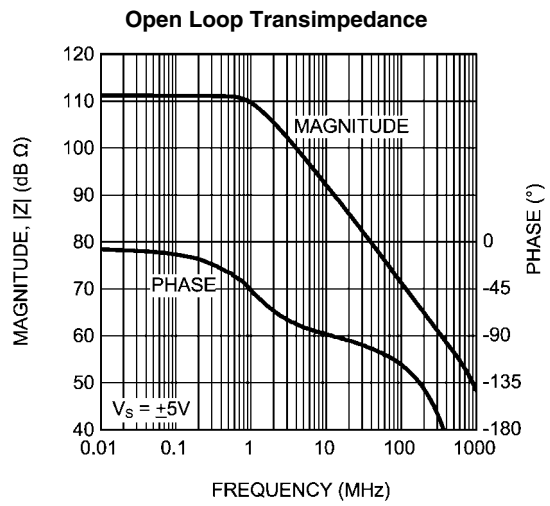
30043731



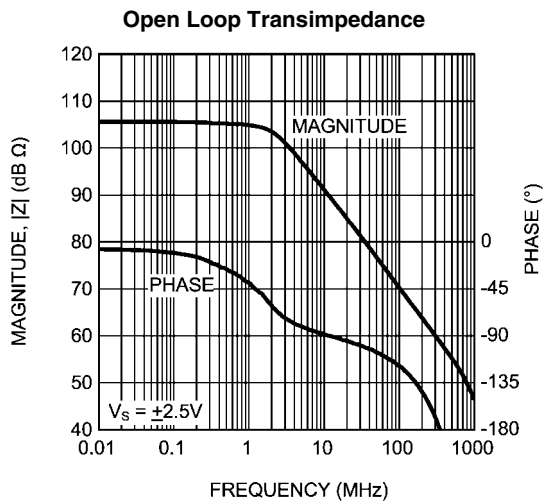
30043717



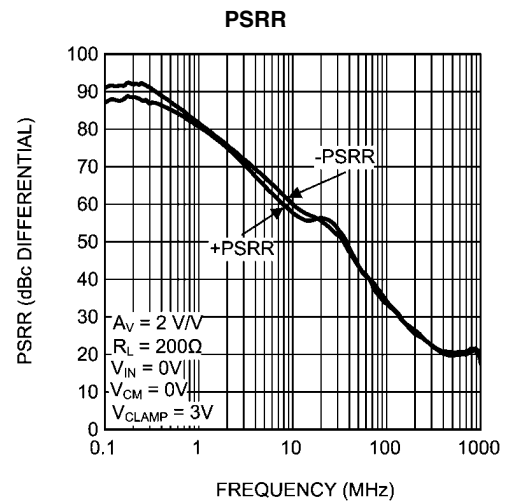
30043718



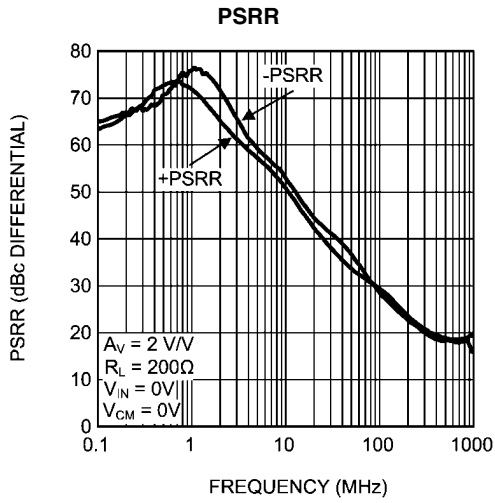
30043741



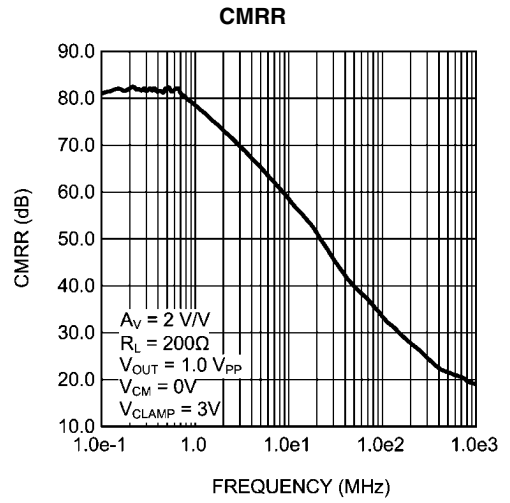
30043742



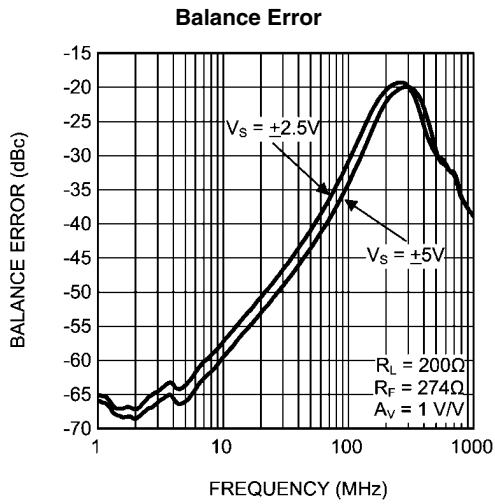
30043719



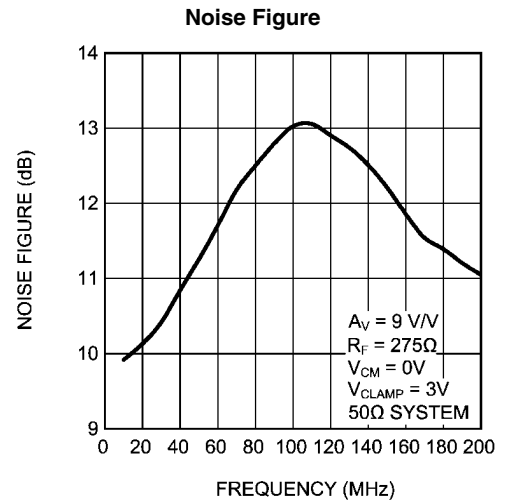
30043720



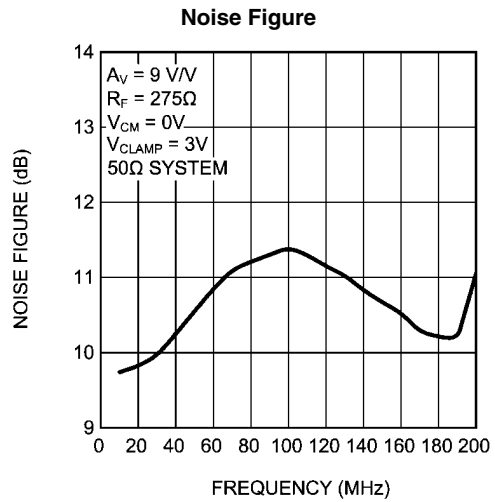
30043733



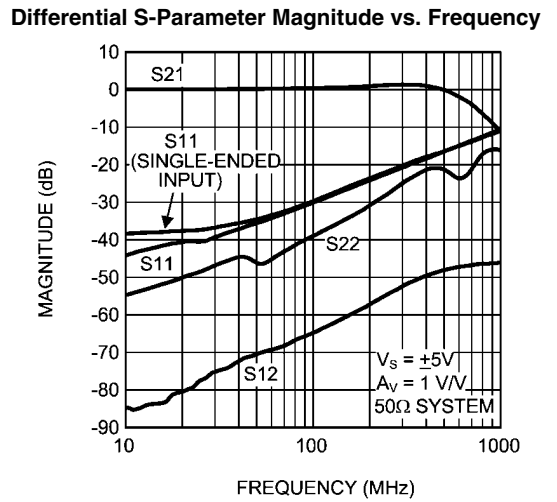
30043713



30043745

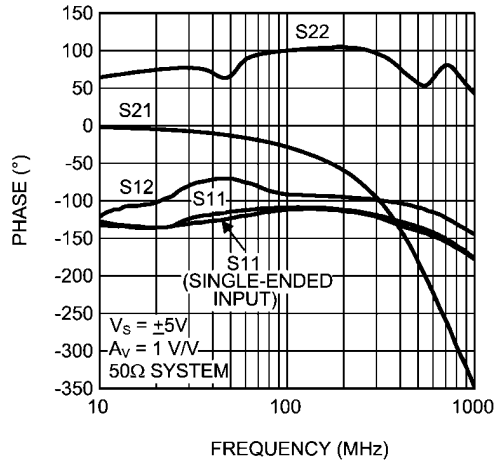


30043746



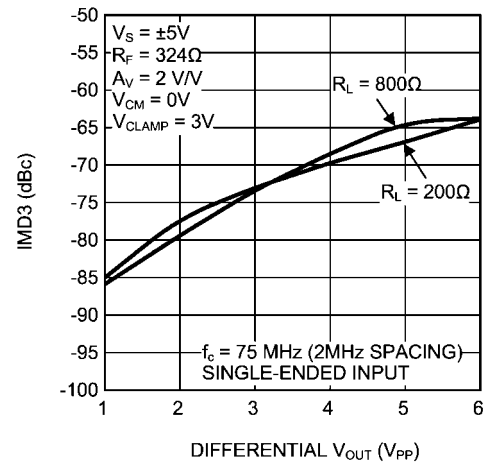
30043755

Differential S-Parameter Phase vs. Frequency



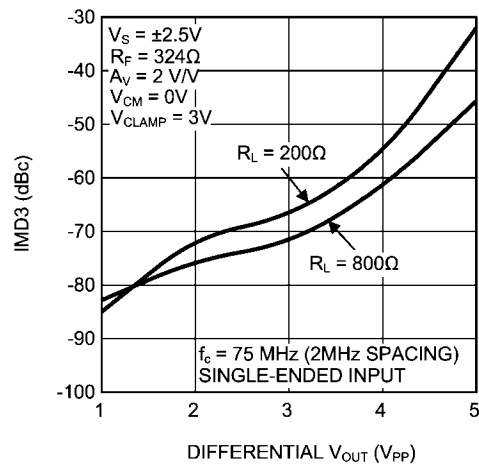
30043756

3rd Order Intermodulation Products vs. V_{OUT}



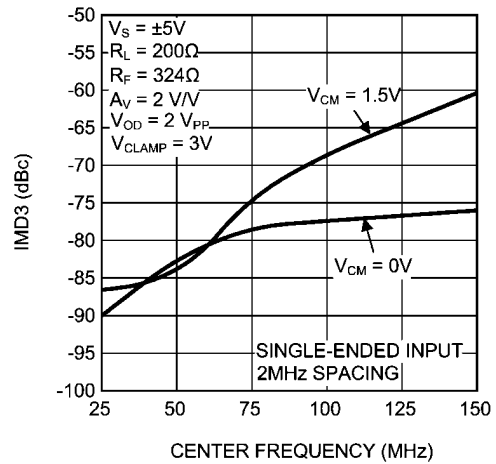
30043751

3rd Order Intermodulation Products vs. V_{OUT}



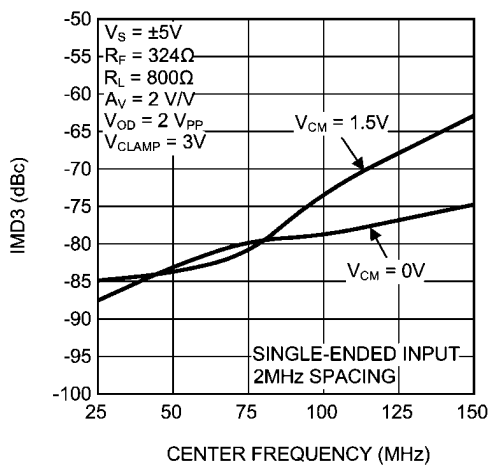
30043752

3rd Order Intermodulation Products vs. Center Frequency

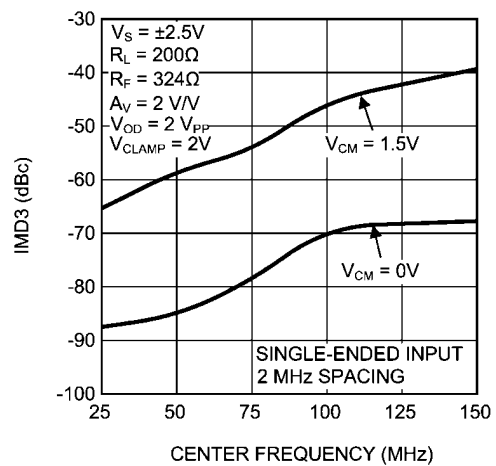


30043777

3rd Order Intermodulation Products vs. Center Frequency 3rd Order Intermodulation Products vs. Center Frequency

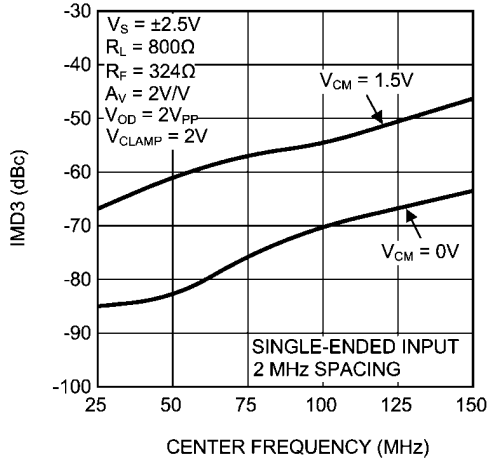


30043765



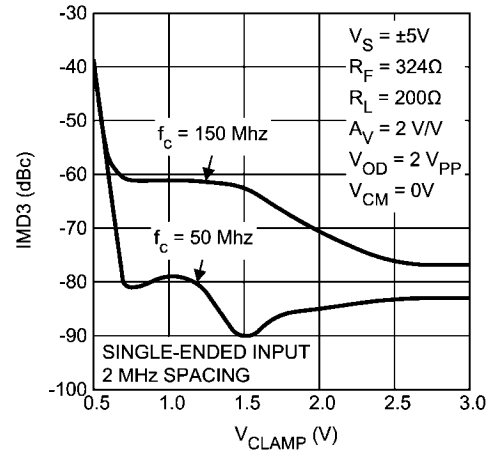
30043778

3rd Order Intermodulation Products vs. Center Frequency



30043779

3rd Order Intermodulation Products vs. V_{CLAMP}



30043780

Application Information

The LMH6553, a fully differential current feedback amplifier with integrated output common mode control and output limiting clamp, is designed to provide protection of following input stages. The common mode feedback circuit sets the output common mode voltage independent of the input common mode, as well as forcing the outputs to be equal in magnitude and opposite in phase, even when only one of the inputs is driven as in single ended to differential conversion.

The proprietary current feedback architecture of the LMH6553 offers gain and bandwidth independence even at high values of gain, simply with the appropriate choice of R_{F1} and R_{F2} . Generally R_{F1} is set equal to R_{F2} , and R_{G1} equal to R_{G2} , so that the gain is set by the ratio R_F/R_G . Matching of these resistors greatly affects CMRR, DC offset error, and output balance. Resistors with 0.1% tolerances are recommended for optimal performance, and the amplifier is internally compensated to operate with optimum gain flatness with values of R_F between 250 Ω and 350 Ω depending on package selection, PCB layout, and load resistance.

The output common mode voltage is set by the V_{CM} pin with a fixed gain of 1 V/V. This pin should be driven by a low impedance source and should be bypassed to ground with a 0.1 μ F ceramic capacitor. Any unwanted signal coupling into the V_{CM} pin will be passed along to the outputs, reducing the performance of the amplifier. This pin must not be left floating.

The LMH6553 can be operated with either a single 5V supply or split +5V and -5V supplies. Operation on a single 5V supply, depending on gain, is limited by the input common mode range; therefore, AC coupling may be required. For example, in a DC coupled input application on a single 5V supply, with a V_{CM} of 1.5V, the input common mode voltage at a gain of 1 will be 0.75V which is outside the minimum 1.5V to 3.5V input common mode range of the amplifier. The minimum V_{CM} for this application should be greater than 1.5V depending on output signal swing. Alternatively, AC coupling of the inputs in this example results in equal input and output common mode voltages, so a 1.5V input common mode would result. Split supplies allow much less restricted AC and DC coupled operation with optimum distortion performance.

The LMH6553 has a V_{CLAMP} input which allows control of the maximum amplifier output swing to prevent overdriving of following stages such as sensitive ADC inputs and also provides fast recovery from transients that would otherwise saturate the signal path.

RECOMMENDED FEEDBACK RESISTOR

The LMH6553 is available in both an 8-pin LLP and PSOP package. The recommended feedback resistor, R_F , for the LLP package is 275 Ω and 325 Ω for the PSOP to give a flat frequency response with minimal peaking.

FULLY DIFFERENTIAL OPERATION

The LMH6553 is ideal for a fully differential configuration. The circuit shown in [Figure 1](#) is a typical fully differential application circuit as might be used to drive an analog to digital converter (ADC). In this circuit the closed loop gain $A_V = V_{OUT}/V_{IN} = R_F/R_G$, where the feedback is symmetric. The series output resistors, R_O , are optional and help keep the amplifier stable when presented with a capacitive load. Refer to the Driving Capacitive Loads section for details.

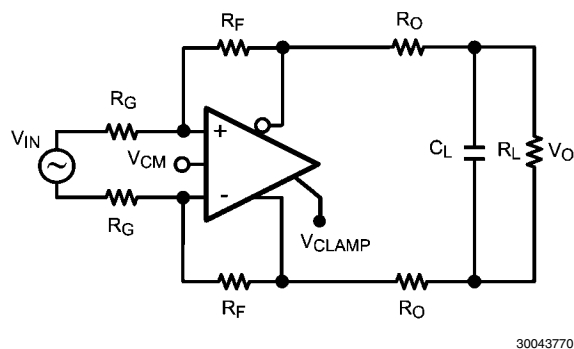


FIGURE 1. Typical Application

When driven from a differential source, the LMH6553 provides low distortion, excellent balance, and common mode rejection. This is true provided the resistors R_F , R_G and R_O are well matched and strict symmetry is observed in board layout.

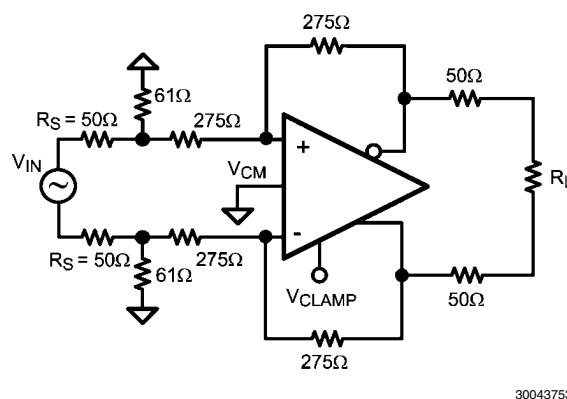
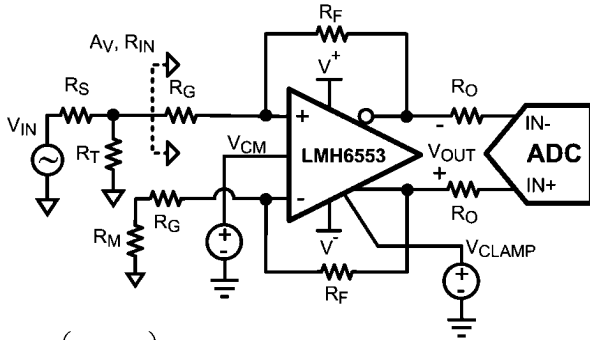


FIGURE 2. Differential S-Parameter Test Circuit

The circuit configuration shown in [Figure 2](#) was used to measure differential S parameters in a 50 Ω environment at a gain of 1 V/V. Refer to the Differential S-Parameter vs. Frequency plots in the Typical Performance Characteristics section for measurement results.

SINGLE-ENDED INPUT TO DIFFERENTIAL OUTPUT OPERATION

In many applications, it is required to drive a differential input ADC from a single-ended source. Traditionally, transformers have been used to provide single to differential conversion, but these are inherently bandpass by nature and cannot be used for DC coupled applications. The LMH6553 provides excellent performance as a single-to-differential converter down to DC. [Figure 3](#) shows a typical application circuit where an LMH6553 is used to produce a differential signal from a single ended source.



$$A_V = \left(\frac{2(1 - \beta_1)}{\beta_1 + \beta_2} \right) \quad \beta_1 = \left(\frac{R_G}{R_G + R_F} \right)$$

$$R_{IN} = \left(\frac{2R_G + R_M(1 - \beta_2)}{1 + \beta_2} \right) \quad \beta_2 = \left(\frac{R_G + R_M}{R_G + R_F + R_M} \right)$$

$R_S = R_T \parallel R_{IN}$
 $R_M = R_T \parallel R_S$

30043710

FIGURE 3. Single-Ended Input with Differential Output

When using the LMH6553 in single-to-differential mode, the complementary output is forced to a phase inverted replica of the driven output by the common mode feedback circuit as opposed to being driven by its own complementary input. Consequently, as the driven input changes, the common mode feedback action results in a varying common mode voltage at the amplifier's inputs, proportional to the driving signal. Due to the non-ideal common mode rejection of the amplifier's input stage, a small common mode signal appears at the outputs which is superimposed on the differential output signal. The ratio of the change in output common mode voltage to output differential voltage is commonly referred to as output balance error. The output balance error response of the LMH6553 over frequency is shown in the Typical Performance Characteristics section.

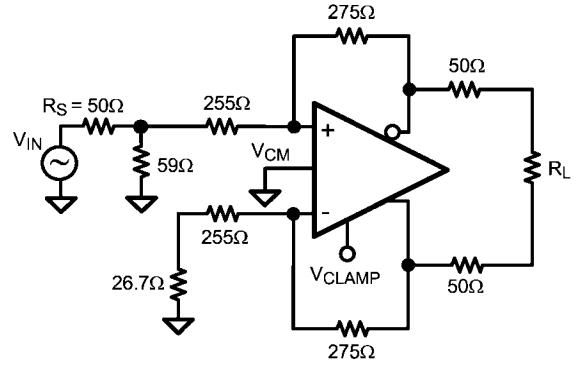
To match the input impedance of the circuit in *Figure 3* to a specified source resistance, R_S , requires that $R_T \parallel R_{IN} = R_S$. The equations governing R_{IN} and A_V for single-to-differential operation are also provided in *Figure 3*. These equations, along with the source matching condition, must be solved iteratively to achieve the desired gain with the proper input termination. Component values for several common gain configurations in a 50Ω environment are given in *Table 1*.

TABLE 1. Gain Component Values for 50Ω System LLP Package

| Gain | R_F | R_G | R_T | R_M |
|-------|-------|-------|-------|-------|
| 0 dB | 275Ω | 255Ω | 59Ω | 26.7Ω |
| 6 dB | 275Ω | 127Ω | 68.1Ω | 28.7Ω |
| 12 dB | 275Ω | 54.9Ω | 107Ω | 34Ω |

TABLE 2. Gain Component Values for 50Ω System PSOP Package

| Gain | R_F | R_G | R_T | R_M |
|-------|-------|-------|-------|-------|
| 0 dB | 325Ω | 316Ω | 56.2Ω | 26.7Ω |
| 6 dB | 325Ω | 150Ω | 64.9Ω | 28Ω |
| 12 dB | 325Ω | 68.1Ω | 88.7Ω | 31.6Ω |



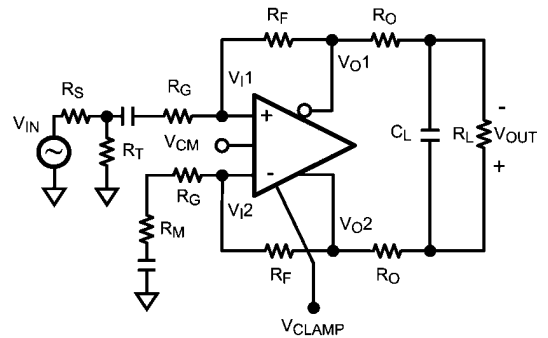
30043754

FIGURE 4. Single Ended Input S-Parameter Test Circuit (50Ω System)

The circuit shown in *Figure 4* was used to measure S-parameters for a single-to-differential configuration. The S-parameter plots in the Typical Performance Curves are taken using the recommended component values for 0 dB gain.

SINGLE SUPPLY OPERATION

Single supply operation is possible on supplies from 5V to 10V; however, as discussed earlier, AC input coupling is recommended for low supplies due to input common mode limitations. An example of an AC coupled, single supply, single-to-differential circuit is shown in *Figure 5*. Note that when AC coupling, both inputs need to be AC coupled irrespective of single-to-differential or differential-to-differential configuration. For higher supply voltages, DC coupling of the inputs may be possible provided that the output common mode DC level is set high enough so that the amplifier's inputs and outputs are within their specified operating ranges.



$$*V_{CM} = \frac{V_{O1} + V_{O2}}{2} \quad V_{ICM} = V_{OCM}$$

$$*BY DESIGN \quad V_{ICM} = \frac{V_{I1} + V_{I2}}{2}$$

30043709

FIGURE 5. AC Coupled for Single Supply Operation

SPLIT SUPPLY OPERATION

For optimum performance, split supply operation is recommended using +5V and -5V supplies; however, operation is possible on split supplies as low as +2.25V and -2.25V and as high as +6V and -6V. Provided the total supply voltage does not exceed the 4.5V to 12V operating specification, asymmetric supply operation is also possible and in some cases advantageous. For example, if 5V DC coupled operation is required for low power dissipation but the amplifier input common mode range prevents this operation, it is still possible with split supplies of (V+) and (V-). Where (V+) - (V-) = 5V and V+ and V- are selected to set the amplifier input common mode voltage to suit the application.

CLAMP OPERATION

The output clamp allows control of the maximum amplifier output swing to prevent overdriving of following stages such as sensitive ADC inputs and provide fast recovery from signal transients that would otherwise saturate the signal path. *Figure 6* shows the relationship between V_{CLAMP} and the +OUT and -OUT outputs. The example circuit shown has a single ended input and is set for a gain of 2 V/V. For proper operation $V_{CM} < V_{CLAMP} < V_{CM} + 2.0V$ and the upper single ended output voltage is limited to the voltage level set at the V_{CLAMP} input. The output common mode control loop forces the lower single ended voltage to be limited to $2 \cdot V_{CM} - V_{CLAMP}$. The maximum clamped single ended output swing is therefore equal to $2 \cdot (V_{CLAMP} - V_{CM})$ and the maximum differential output swing is therefore equal to $4 \cdot (V_{CLAMP} - V_{CM})$. In the example of *Figure 6* with V_{CLAMP} set to 2V and V_{CM} set to 1.5V, the maximum single ended output is therefore 1 V_{PP} centered at 1.5V and the maximum differential output is 2 V_{PP} . This is shown for the case of a 2 V_{PP} input sine wave which for a gain of 2 V/V in unclamped operation would provide single ended outputs at +OUT and -OUT of 2 V_{PP} but is shown being clamp limited to 1 V_{PP} .

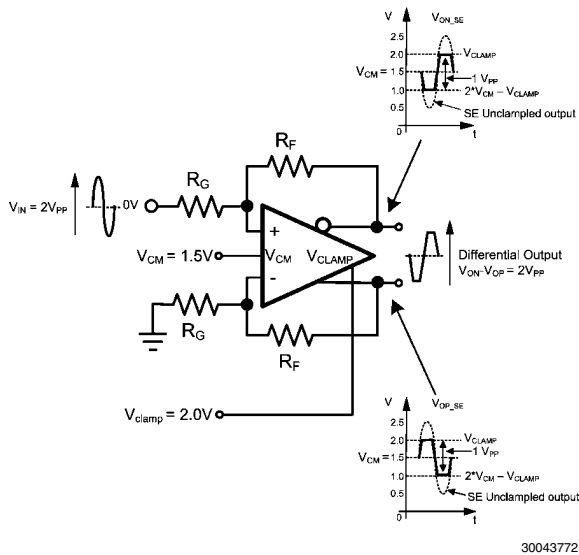


FIGURE 6. Clamp Operation

CLAMP PERFORMANCE

Key clamp performance specifications are listed in the electrical characteristics section. *Figure 7* illustrates the clamp overdrive recovery time which is defined as the difference in input to output propagation delay due to a step change at the input for a clamped output versus a normal linear unclamped, non-saturated output.

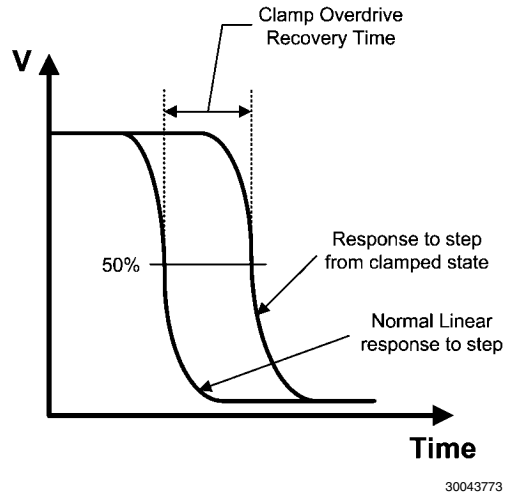


FIGURE 7. Clamp Overdrive Recovery Time

MAXIMUM OUTPUT LEVEL

The maximum unclamped output swing in normal operation is $4V_{PP}$ single ended or $8V_{PP}$ differential due to the requirement that $V_{CLAMP} < V_{CM} + 2.0V$. For split supply operation of +5V and -5V, the maximum output voltage is limited by the output stage's ability to swing close to either supply ($V_{OUT} < \pm 3.7V$). As shown in *Figure 8*, if V_{CLAMP} is set $> 3.7V$, the amplifier output will saturate at the positive supply before the clamp can operate and similarly if $2 \cdot V_{CM} - V_{CLAMP} < -3.7V$, the amplifier output will saturate at the negative supply.

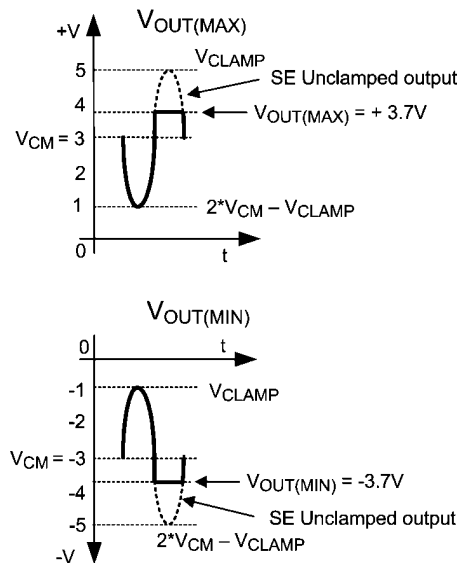


FIGURE 8. Split Supply $V_{OUT(MAX)}$ and $V_{OUT(MIN)}$ Output Levels

OUTPUT NOISE PERFORMANCE AND MEASUREMENT

Unlike differential amplifiers based on voltage feedback architectures, noise sources internal to the LMH6553 refer to the inputs largely as current sources, hence the low input referred voltage noise and relatively higher input referred current noise. The output noise is therefore more strongly coupled to the value of the feedback resistor and not to the closed loop gain, as would be the case with a voltage feedback differential amplifier. This allows operation of the LMH6553 at much higher gain without incurring a substantial noise performance penalty, simply by choosing a suitable feedback resistor.

Figure 9 shows a circuit configuration used to measure noise figure for the LMH6553 in a 50Ω system. An R_F value of 275Ω is chosen for the PSOP package to minimize output noise while simultaneously allowing both high gain (9 V/V) and proper 50Ω input termination. Refer to the section titled Single-Ended Input Operation for calculation of resistor and gain values. Noise figure values at various frequencies are shown in the plot titled Noise Figure in the Typical Performance Characteristics section.

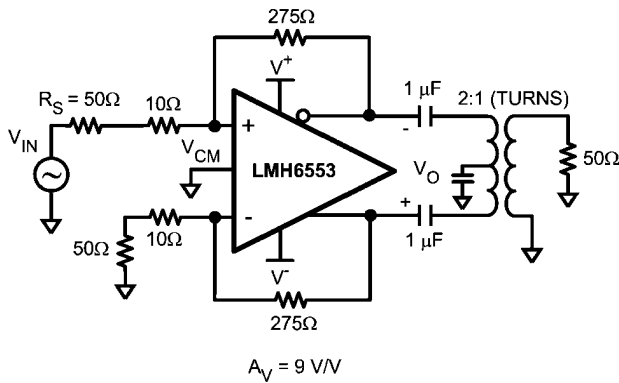


FIGURE 9. Noise Figure Circuit Configuration

DRIVING ANALOG TO DIGITAL CONVERTERS

Analog-to-digital converters present challenging load conditions. They typically have high impedance inputs with large and often variable capacitive components. As well, there are usually current spikes associated with switched capacitor or sample and hold circuits. Figure 10 shows the LMH6553 driving the ADC14C105. The amplifier is configured to provide a gain of 2 V/V in a single-to-differential mode. The LMH6553 common mode voltage is set by the ADC14C105. The 0.1 μF capacitor, in series with the 49.9Ω resistor, is inserted to ground across the 68.1Ω resistor to balance the amplifier inputs. The circuit in Figure 10 has a 2nd order lowpass LC filter formed by the 620 nH inductors along with the 22 pF capacitor across the differential inputs of the ADC14C105. The filter has a pole frequency of about 50 MHz. The two 100Ω resistors serve to isolate the capacitive loading of the ADC from the amplifier and ensure stability. For switched capacitor input ADCs, the input capacitance will vary based on the clock cycle, as the ADC switches between the sample and hold mode. See your particular ADC's datasheet for details.

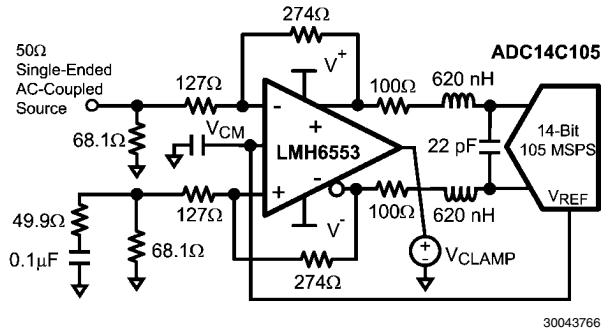


FIGURE 10. Driving a 14-bit ADC

Figure 11 shows the SFDR and SNR performance vs. frequency for the LMH6553 and ADC14C105 combination circuit with the ADC input signal level at -1 dBFS. The ADC14C105 is a single channel 14-bit ADC with maximum sampling rate of 105 MSPS. The amplifier is configured to provide a gain of 2 V/V in single to differential mode. An external bandpass filter is inserted in series between the input signal source and the amplifier to reduce harmonics and noise from the signal generator. In order to properly match the input impedance seen at the LMH6553 amplifier inputs, R_M is chosen to match $Z_S \parallel R_T$ for proper input balance.

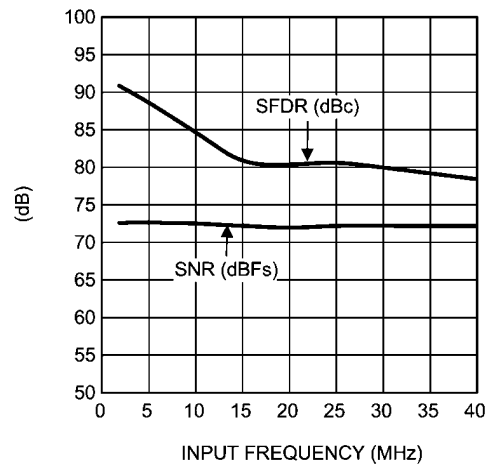


FIGURE 11. LMH6553/ADC14C105 SFDR and SNR Performance vs. Frequency

The amplifier and ADC should be located as close together as possible. Both devices require that the filter components be in close proximity to them. The amplifier needs to have minimal parasitic loading on its outputs and the ADC is sensitive to high frequency noise that may couple in on its inputs. Some high performance ADCs have an input stage that has a bandwidth of several times its sample rate. The sampling process results in all input signals presented to the input stage mixing down into the first Nyquist zone (DC to $F_s/2$).

The LMH6553 is capable of driving a variety of National Semiconductor Analog-to-Digital Converters. This is shown in Table 3, which offers a list of possible signal path ADC and amplifier combinations. The use of the LMH6553 to drive an ADC is determined by the application and the desired sampling process (Nyquist operation, sub-sampling or over-sampling). See application note AN-236 for more details on the sampling processes and application note AN-1393 'Using

High Speed Differential Amplifiers to Drive ADCs. For more information regarding a particular ADC, refer to the particular ADC datasheet for details.

TABLE 3. DIFFERENTIAL INPUT ADCs COMPATIBLE WITH LMH6553 DRIVER

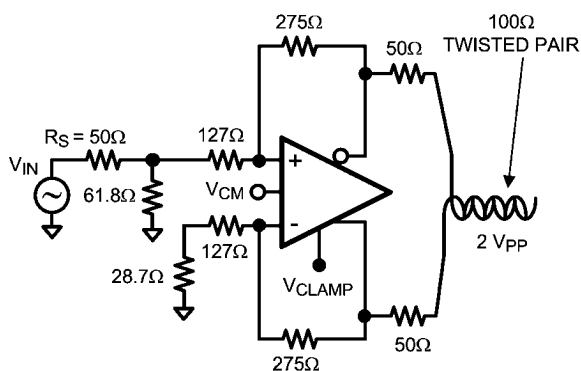
| Product Number | Max Sampling Rate (MSPS) | Resolution | Channels |
|----------------|--------------------------|------------|----------|
| ADC1173 | 15 | 8 | SINGLE |
| ADC1175 | 20 | 8 | SINGLE |
| ADC08351 | 42 | 8 | SINGLE |
| ADC1175-50 | 50 | 8 | SINGLE |
| ADC08060 | 60 | 8 | SINGLE |
| ADC08L060 | 60 | 8 | SINGLE |
| ADC08100 | 100 | 8 | SINGLE |
| ADC08200 | 200 | 8 | SINGLE |
| ADC08500 | 500 | 8 | SINGLE |
| ADC081000 | 1000 | 8 | SINGLE |
| ADC08D1000 | 1000 | 8 | DUAL |
| ADC10321 | 20 | 10 | SINGLE |
| ADC10D020 | 20 | 10 | DUAL |
| ADC10030 | 27 | 10 | SINGLE |
| ADC10040 | 40 | 10 | DUAL |
| ADC10065 | 65 | 10 | SINGLE |
| ADC10DL065 | 65 | 10 | DUAL |
| ADC10080 | 80 | 10 | SINGLE |
| ADC11DL066 | 66 | 11 | DUAL |
| ADC11L066 | 66 | 11 | SINGLE |
| ADC11C125 | 125 | 11 | SINGLE |
| ADC11C170 | 170 | 11 | SINGLE |
| ADC12010 | 10 | 12 | SINGLE |
| ADC12020 | 20 | 12 | SINGLE |
| ADC12040 | 40 | 12 | SINGLE |
| ADC12D040 | 40 | 12 | DUAL |
| ADC12DL040 | 40 | 12 | DUAL |
| ADC12DL065 | 65 | 12 | DUAL |
| ADC12DL066 | 66 | 12 | DUAL |
| ADC12L063 | 63 | 12 | SINGLE |
| ADC12C080 | 80 | 12 | SINGLE |
| ADC12DS080 | 80 | 12 | DUAL |
| ADC12L080 | 80 | 12 | SINGLE |
| ADC12C105 | 105 | 12 | SINGLE |
| ADC12DS105 | 105 | 12 | DUAL |
| ADC12C170 | 170 | 12 | SINGLE |
| ADC14L020 | 20 | 14 | SINGLE |
| ADC14L040 | 40 | 14 | SINGLE |
| ADC14C080 | 80 | 14 | SINGLE |
| ADC14DS080 | 80 | 14 | DUAL |
| ADC14C105 | 105 | 14 | SINGLE |
| ADC14DS105 | 105 | 14 | DUAL |
| ADC14155 | 155 | 14 | SINGLE |

DRIVING CAPACITIVE LOADS

As noted previously, capacitive loads should be isolated from the amplifier outputs with small valued resistors. This is particularly the case when the load has a resistive component that is 500Ω or higher. A typical ADC has capacitive components of around 10 pF and the resistive component could be 1000Ω or higher. If driving a transmission line, such as 50Ω coaxial or 100Ω twisted pair, using matching resistors will be sufficient to isolate any subsequent capacitance. For other applications see the Suggested R_{OUT} vs. Capacitive Load charts in the Typical Performance Characteristics section.

BALANCED CABLE DRIVER

With up to 8 V_{PP} differential output voltage swing and 100 mA of linear drive current the LMH6553 makes an excellent cable driver as shown in *Figure 12*. The LMH6553 is also suitable for driving differential cables from a single ended source.



$$A_V = 2 V/V$$

30043702

FIGURE 12. Fully Differential Cable Driver

POWER SUPPLY BYPASSING

The LMH6553 requires supply bypassing capacitors as shown in *Figure 13* and *Figure 14*. The 0.01 μF and 0.1 μF capacitors should be leadless SMT ceramic capacitors and should be no more than 3 mm from the supply pins. These capacitors should be star routed with a dedicated ground return plane or trace for best harmonic distortion performance. A small capacitor, ~0.01 μF, placed across the supply rails, and as close to the chip's supply pins as possible, can further improve HD2 performance. Narrow traces or small vias will reduce the effectiveness of bypass capacitors. Also shown in both figures is a capacitor from the V_{CM} and V_{CLAMP} pins to ground. These inputs are high impedance and can provide a coupling path into the amplifier for external noise sources, possibly resulting in loss of dynamic range, degraded CMRR, degraded balance and higher distortion.

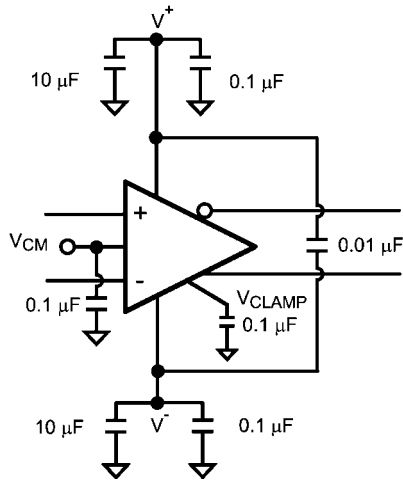


FIGURE 13. Split Supply Bypassing Capacitors

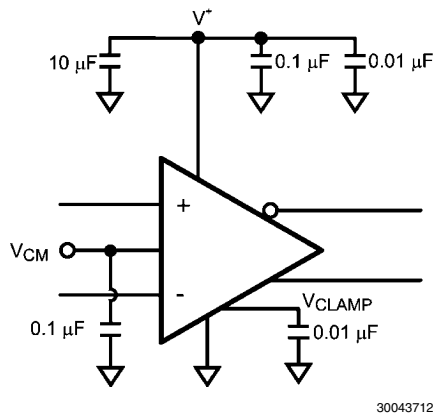


FIGURE 14. Single Supply Bypassing Capacitors

POWER DISSIPATION

The LMH6553 is optimized for maximum speed and performance in the small form factor of the standard LLP package. To ensure maximum output drive and highest performance, thermal shutdown is not provided. Therefore, it is of utmost importance to make sure that the T_{JMAX} of 150°C is never exceeded.

Follow these steps to determine the maximum power dissipation for the LMH6553:

1. Calculate the quiescent (no-load) power: $P_{AMP} = I_{CC} * V_S$, where $V_S = V^+ - V^-$. (Be sure to include any current through the feedback network if V_{CM} is not mid-rail.)
2. Calculate the RMS power dissipated in each of the output stages: $P_D (rms) = rms((V_S - V_{OUT}^+) * I_{OUT}^+) + rms((V_S - V_{OUT}^-) * I_{OUT}^-)$, where V_{OUT} and I_{OUT} are the voltage and the current measured at the output pins of the differential amplifier as if they were single ended amplifiers and V_S is the total supply voltage.
3. Calculate the total RMS power: $P_T = P_{AMP} + P_D$.

The maximum power that the LMH6553 package can dissipate at a given temperature can be derived with the following equation:

$P_{MAX} = (150^\circ - T_{AMB}) / \theta_{JA}$, where T_{AMB} = Ambient temperature (°C) and θ_{JA} = Thermal resistance, from junction to ambient,

for a given package (°C/W). For the PSOP package θ_{JA} is 59°C/W; LLP package θ_{JA} is 58°C/W.

NOTE: If V_{CM} is not mid-rail, then there will be quiescent current flowing in the feedback network. This current should be included in the thermal calculations and added into the quiescent power dissipation of the amplifier.

THERMAL PERFORMANCE

The LMH6553 is available in both the PSOP and LLP packages. Both packages are designed for enhanced thermal performance and features an exposed die attach pad (DAP) at the bottom center of the package that creates a direct path to the PCB for maximum power dissipation. The DAP is floating and is not electrically connected to internal circuitry.

The thermal advantage of the two packages is fully realized only when the exposed die attach pad is soldered down to a thermal land on the PCB board with thermal vias planted underneath the thermal land. The thermal land can be connected to any power or ground plane within the allowable supply voltage range of the device. The junction-to-ambient thermal resistance (θ_{JA}) of the LMH6553 can be significantly lowered, as opposed to an alternative with no direct soldering to a thermal land. Based on thermal analysis of the LLP package, the junction-to-ambient thermal resistance (θ_{JA}) can be improved by a factor of two when the die attach pad of the LLP package is soldered directly onto the PCB with thermal land and thermal vias are 1.27 mm and 0.33 mm respectively. Typical copper via barrel plating is 1 oz, although thicker copper may be used to further improve thermal performance.

For more information on board layout techniques for the LLP package, refer to Application Note 1187 "Leadless Lead Frame Package (LLP)." This application note also discusses package handling, solder stencil and the assembly process.

ESD PROTECTION

The LMH6553 is protected against electrostatic discharge (ESD) on all pins. The LMH6553 will survive 4000V Human Body model and 350V Machine model events. Under normal operation the ESD diodes have no effect on circuit performance. The current that flows through the ESD diodes will either exit the chip through the supply pins or through the device, hence it is possible to power up a chip with a large signal applied to the input pins.

BOARD LAYOUT

The LMH6553 is a very high performance amplifier. In order to get maximum benefit from the differential circuit architecture, board layout and component selection are very critical. The circuit board should have a low inductance ground plane and well bypassed wide supply lines. External components should be leadless surface mount types. The feedback network and output matching resistors should be composed of short traces and precision resistors (0.1%). The output matching resistors should be placed within 3 or 4 mm of the amplifier as should the supply bypass capacitors. Refer to the section titled Power Supply Bypassing for recommendations on bypass circuit layout. Evaluation boards are available free of charge through the product folder on National's web site.

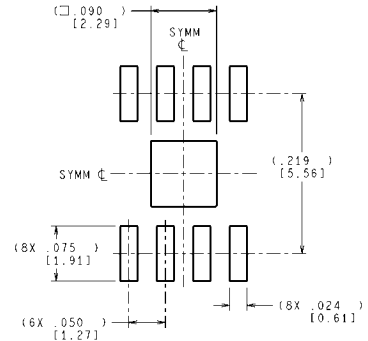
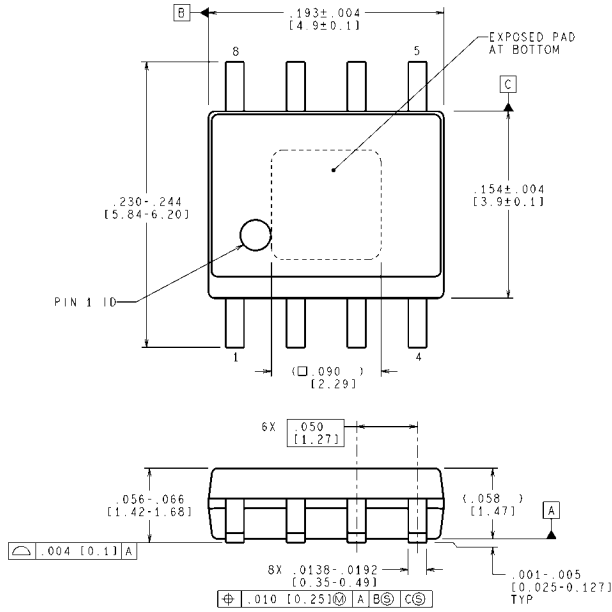
By design, the LMH6553 is relatively insensitive to parasitic capacitance at its inputs. Nonetheless, ground and power plane metal should be removed from beneath the amplifier and from beneath R_F and R_G for best performance at high frequency.

With any differential signal path, symmetry is very important. Even small amounts of asymmetry can contribute to distortion and balance errors.

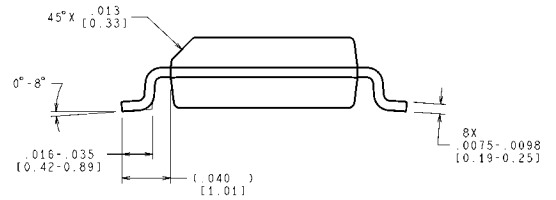
EVALUATION BOARD

See the LMH6553 Product Folder on www.national.com for evaluation board availability and ordering information.

Physical Dimensions inches (millimeters) unless otherwise noted



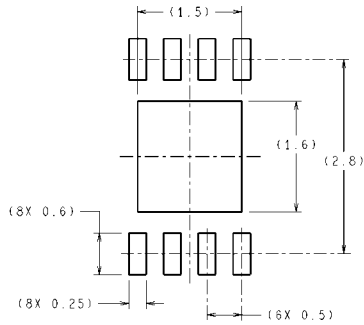
RECOMMENDED LAND PATTERN



CONTROLLING DIMENSION IS INCH
VALUES IN [] ARE MILLIMETERS
DIMENSIONS IN () FOR REFERENCE ONLY

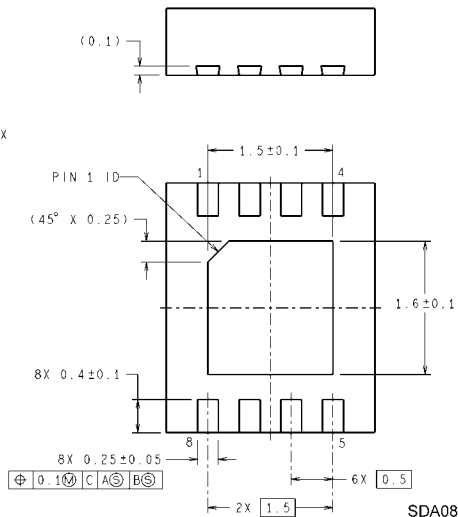
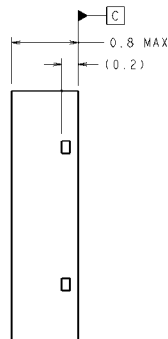
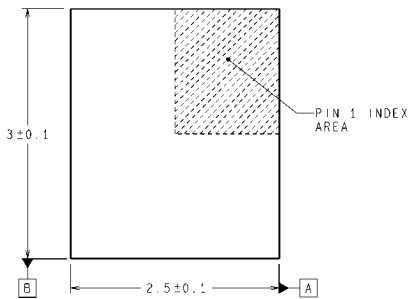
MRA08A (Rev D)

**8-Pin PSOP
NS Package Number MRA08A**



RECOMMENDED LAND PATTERN

DIMENSIONS ARE IN MILLIMETERS
DIMENSIONS IN () FOR REFERENCE ONLY



SDA08C (Rev A)

**8-Pin LLP
NS Package Number SDA08C**

Notes

LMH6553

Notes

For more National Semiconductor product information and proven design tools, visit the following Web sites at:
www.national.com

| Products | | Design Support | |
|--------------------------------|--|------------------------------|--|
| Amplifiers | www.national.com/amplifiers | WEBENCH® Tools | www.national.com/webench |
| Audio | www.national.com/audio | App Notes | www.national.com/appnotes |
| Clock and Timing | www.national.com/timing | Reference Designs | www.national.com/refdesigns |
| Data Converters | www.national.com/adc | Samples | www.national.com/samples |
| Interface | www.national.com/interface | Eval Boards | www.national.com/evalboards |
| LVDS | www.national.com/lvds | Packaging | www.national.com/packaging |
| Power Management | www.national.com/power | Green Compliance | www.national.com/quality/green |
| Switching Regulators | www.national.com/switchers | Distributors | www.national.com/contacts |
| LDOs | www.national.com/ldo | Quality and Reliability | www.national.com/quality |
| LED Lighting | www.national.com/led | Feedback/Support | www.national.com/feedback |
| Voltage References | www.national.com/vref | Design Made Easy | www.national.com/easy |
| PowerWise® Solutions | www.national.com/powerwise | Applications & Markets | www.national.com/solutions |
| Serial Digital Interface (SDI) | www.national.com/sdi | Mil/Aero | www.national.com/milaero |
| Temperature Sensors | www.national.com/tempensors | SolarMagic™ | www.national.com/solarmagic |
| PLL/VCO | www.national.com/wireless | PowerWise® Design University | www.national.com/training |

THE CONTENTS OF THIS DOCUMENT ARE PROVIDED IN CONNECTION WITH NATIONAL SEMICONDUCTOR CORPORATION ("NATIONAL") PRODUCTS. NATIONAL MAKES NO REPRESENTATIONS OR WARRANTIES WITH RESPECT TO THE ACCURACY OR COMPLETENESS OF THE CONTENTS OF THIS PUBLICATION AND RESERVES THE RIGHT TO MAKE CHANGES TO SPECIFICATIONS AND PRODUCT DESCRIPTIONS AT ANY TIME WITHOUT NOTICE. NO LICENSE, WHETHER EXPRESS, IMPLIED, ARISING BY ESTOPPEL OR OTHERWISE, TO ANY INTELLECTUAL PROPERTY RIGHTS IS GRANTED BY THIS DOCUMENT.

TESTING AND OTHER QUALITY CONTROLS ARE USED TO THE EXTENT NATIONAL DEEMS NECESSARY TO SUPPORT NATIONAL'S PRODUCT WARRANTY. EXCEPT WHERE MANDATED BY GOVERNMENT REQUIREMENTS, TESTING OF ALL PARAMETERS OF EACH PRODUCT IS NOT NECESSARILY PERFORMED. NATIONAL ASSUMES NO LIABILITY FOR APPLICATIONS ASSISTANCE OR BUYER PRODUCT DESIGN. BUYERS ARE RESPONSIBLE FOR THEIR PRODUCTS AND APPLICATIONS USING NATIONAL COMPONENTS. PRIOR TO USING OR DISTRIBUTING ANY PRODUCTS THAT INCLUDE NATIONAL COMPONENTS, BUYERS SHOULD PROVIDE ADEQUATE DESIGN, TESTING AND OPERATING SAFEGUARDS.

EXCEPT AS PROVIDED IN NATIONAL'S TERMS AND CONDITIONS OF SALE FOR SUCH PRODUCTS, NATIONAL ASSUMES NO LIABILITY WHATSOEVER, AND NATIONAL DISCLAIMS ANY EXPRESS OR IMPLIED WARRANTY RELATING TO THE SALE AND/OR USE OF NATIONAL PRODUCTS INCLUDING LIABILITY OR WARRANTIES RELATING TO FITNESS FOR A PARTICULAR PURPOSE, MERCHANTABILITY, OR INFRINGEMENT OF ANY PATENT, COPYRIGHT OR OTHER INTELLECTUAL PROPERTY RIGHT.

LIFE SUPPORT POLICY

NATIONAL'S PRODUCTS ARE NOT AUTHORIZED FOR USE AS CRITICAL COMPONENTS IN LIFE SUPPORT DEVICES OR SYSTEMS WITHOUT THE EXPRESS PRIOR WRITTEN APPROVAL OF THE CHIEF EXECUTIVE OFFICER AND GENERAL COUNSEL OF NATIONAL SEMICONDUCTOR CORPORATION. As used herein:

Life support devices or systems are devices which (a) are intended for surgical implant into the body, or (b) support or sustain life and whose failure to perform when properly used in accordance with instructions for use provided in the labeling can be reasonably expected to result in a significant injury to the user. A critical component is any component in a life support device or system whose failure to perform can be reasonably expected to cause the failure of the life support device or system or to affect its safety or effectiveness.

National Semiconductor and the National Semiconductor logo are registered trademarks of National Semiconductor Corporation. All other brand or product names may be trademarks or registered trademarks of their respective holders.

Copyright© 2010 National Semiconductor Corporation

For the most current product information visit us at www.national.com



National Semiconductor Americas Technical Support Center
 Email: support@nsc.com
 Tel: 1-800-272-9959

National Semiconductor Europe Technical Support Center
 Email: europe.support@nsc.com

National Semiconductor Asia Pacific Technical Support Center
 Email: ap.support@nsc.com

National Semiconductor Japan Technical Support Center
 Email: jpn.feedback@nsc.com

IMPORTANT NOTICE

Texas Instruments Incorporated and its subsidiaries (TI) reserve the right to make corrections, modifications, enhancements, improvements, and other changes to its products and services at any time and to discontinue any product or service without notice. Customers should obtain the latest relevant information before placing orders and should verify that such information is current and complete. All products are sold subject to TI's terms and conditions of sale supplied at the time of order acknowledgment.

TI warrants performance of its hardware products to the specifications applicable at the time of sale in accordance with TI's standard warranty. Testing and other quality control techniques are used to the extent TI deems necessary to support this warranty. Except where mandated by government requirements, testing of all parameters of each product is not necessarily performed.

TI assumes no liability for applications assistance or customer product design. Customers are responsible for their products and applications using TI components. To minimize the risks associated with customer products and applications, customers should provide adequate design and operating safeguards.

TI does not warrant or represent that any license, either express or implied, is granted under any TI patent right, copyright, mask work right, or other TI intellectual property right relating to any combination, machine, or process in which TI products or services are used. Information published by TI regarding third-party products or services does not constitute a license from TI to use such products or services or a warranty or endorsement thereof. Use of such information may require a license from a third party under the patents or other intellectual property of the third party, or a license from TI under the patents or other intellectual property of TI.

Reproduction of TI information in TI data books or data sheets is permissible only if reproduction is without alteration and is accompanied by all associated warranties, conditions, limitations, and notices. Reproduction of this information with alteration is an unfair and deceptive business practice. TI is not responsible or liable for such altered documentation. Information of third parties may be subject to additional restrictions.

Resale of TI products or services with statements different from or beyond the parameters stated by TI for that product or service voids all express and any implied warranties for the associated TI product or service and is an unfair and deceptive business practice. TI is not responsible or liable for any such statements.

TI products are not authorized for use in safety-critical applications (such as life support) where a failure of the TI product would reasonably be expected to cause severe personal injury or death, unless officers of the parties have executed an agreement specifically governing such use. Buyers represent that they have all necessary expertise in the safety and regulatory ramifications of their applications, and acknowledge and agree that they are solely responsible for all legal, regulatory and safety-related requirements concerning their products and any use of TI products in such safety-critical applications, notwithstanding any applications-related information or support that may be provided by TI. Further, Buyers must fully indemnify TI and its representatives against any damages arising out of the use of TI products in such safety-critical applications.

TI products are neither designed nor intended for use in military/aerospace applications or environments unless the TI products are specifically designated by TI as military-grade or "enhanced plastic." Only products designated by TI as military-grade meet military specifications. Buyers acknowledge and agree that any such use of TI products which TI has not designated as military-grade is solely at the Buyer's risk, and that they are solely responsible for compliance with all legal and regulatory requirements in connection with such use.

TI products are neither designed nor intended for use in automotive applications or environments unless the specific TI products are designated by TI as compliant with ISO/TS 16949 requirements. Buyers acknowledge and agree that, if they use any non-designated products in automotive applications, TI will not be responsible for any failure to meet such requirements.

Following are URLs where you can obtain information on other Texas Instruments products and application solutions:

Products

| | |
|------------------------|--|
| Audio | www.ti.com/audio |
| Amplifiers | amplifier.ti.com |
| Data Converters | dataconverter.ti.com |
| DLP® Products | www.dlp.com |
| DSP | dsp.ti.com |
| Clocks and Timers | www.ti.com/clocks |
| Interface | interface.ti.com |
| Logic | logic.ti.com |
| Power Mgmt | power.ti.com |
| Microcontrollers | microcontroller.ti.com |
| RFID | www.ti-rfid.com |
| OMAP Mobile Processors | www.ti.com/omap |
| Wireless Connectivity | www.ti.com/wirelessconnectivity |

Applications

| | |
|-------------------------------|--|
| Communications and Telecom | www.ti.com/communications |
| Computers and Peripherals | www.ti.com/computers |
| Consumer Electronics | www.ti.com/consumer-apps |
| Energy and Lighting | www.ti.com/energy |
| Industrial | www.ti.com/industrial |
| Medical | www.ti.com/medical |
| Security | www.ti.com/security |
| Space, Avionics and Defense | www.ti.com/space-avionics-defense |
| Transportation and Automotive | www.ti.com/automotive |
| Video and Imaging | www.ti.com/video |

TI E2E Community Home Page

e2e.ti.com

Mailing Address: Texas Instruments, Post Office Box 655303, Dallas, Texas 75265
Copyright © 2011, Texas Instruments Incorporated