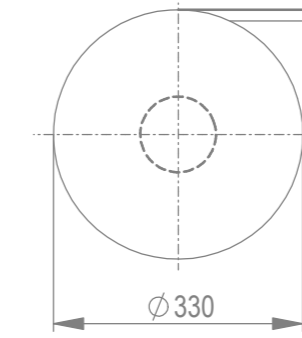
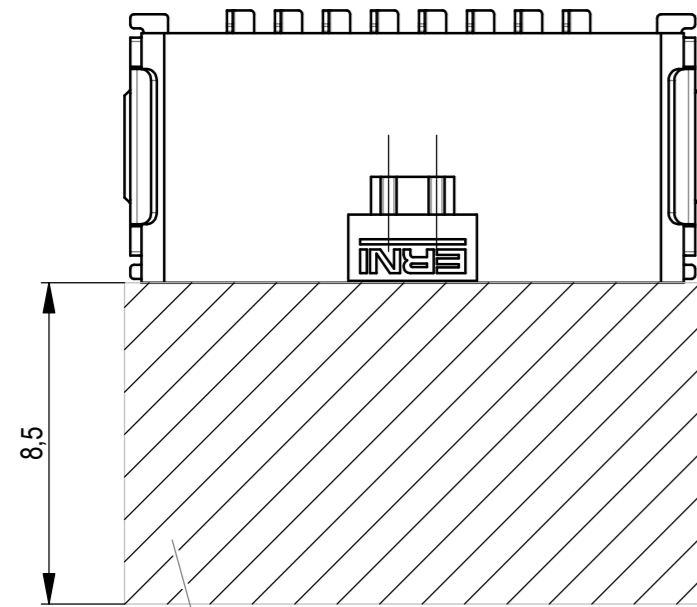
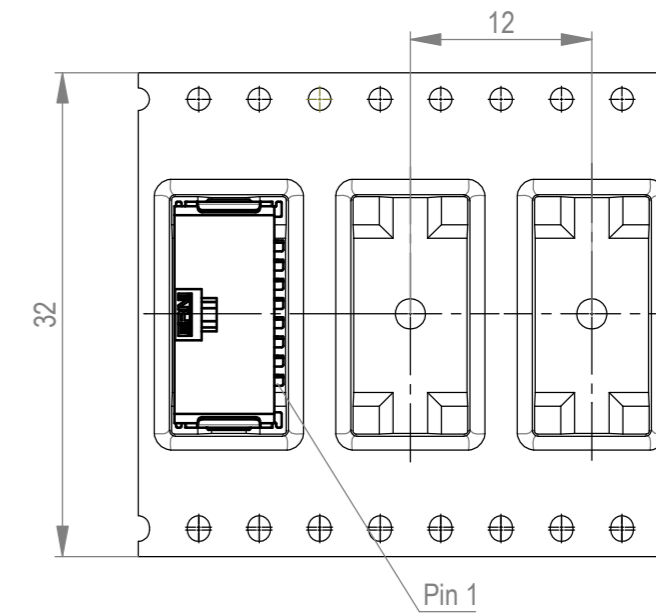


Verpackt im Gurt in Anlehnung an DIN IEC 60286-3  
 tape on reel packaging according to DIN IEC 60286-3  
 Verpackungseinheit: 1000 Stück  
 packaging unit: 1000 pcs

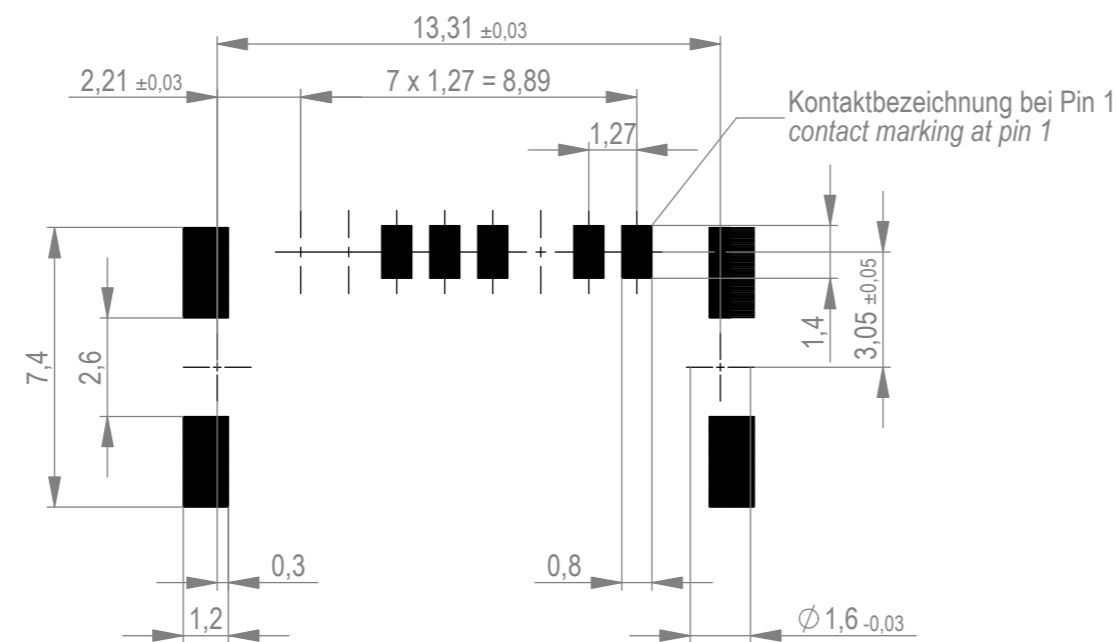


Abspulrichtung - reel off direction



Sperrfläche für Leiterbahnen  
 gültig bei Verwendung von  
 Gegenstecker Federleiste  
 90°  
 in SKV Ausführung  
 Restricted area for  
 conductors  
 valid for use by mating  
 female connector 90°  
 in IDC version

Leiterplatten-Layout für SMT  
 PCB-Layout for SMT



Anforderungsstufe 1  
 performance level 1

Kontaktbereich verguldet  
 mating area gold plating

Anschlussbereich verzinnt 4-6 µm  
 terminal area 4-6 µm tin plating

Koplanarität der Anschlüsse ≤ 0,1 mm  
 coplanarity area of termination ≤ 0,1 mm

1) gültig bei Verwendung von Gegenstecker Federleiste 90° in SMD Ausführung  
 valid for use by mating female connector 90° in SMT version

Die deutsche Version dieser Zeichnung dient nur zur Erläuterung der  
 Handlung. Bei Abweichungen vom englischen Original gilt das  
 englische Original. In case of any deviation from the original  
 drawing the English version shall prevail.  
 The English version of this drawing has been offered for convenience only  
 and may deviate from the original.  
 In case of any deviation from the original drawing the English version shall prevail.  
 The English version of this drawing has been offered for convenience only  
 and may deviate from the original.  
 In case of any deviation from the original drawing the English version shall prevail.

Dimension no.	Tolerances Dim. for Information ISO 8015	All Dimensions in mm	Scale Material 5:1
Customer drawing: This Drawing is a controlled Document.	Subject to modification without prior notice. Drawing will not be updated.		ERNI-MiniBridge Male Angeled SMT 08p C-214014-E
j1 Index	21.05.2023 Date	TE Connectivity	C A2
Class			SRCA