

# T-1<sup>3/4</sup> (5 mm) Panel Mount Clip and Retaining Ring

## Technical Data

Option 007 (HLMP-0104)

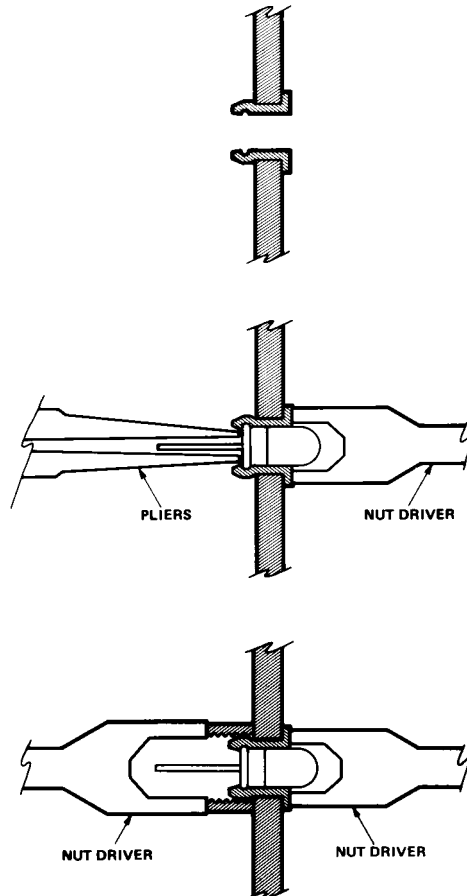
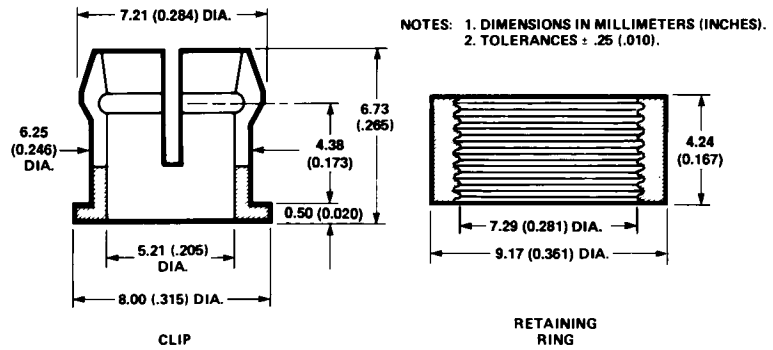
### Description

The Option 007 (HLMP-0104) is a black plastic mounting clip and retaining ring. It is designed to panel mount Hewlett-Packard Solid State high profile T-1<sup>3/4</sup> size lamps. This clip and ring combination is intended for installation in instrument panels from 1.52 mm (0.060") to 2.67 mm (0.105") thick. For panels greater than 2.67 mm (0.105") counterboring may be needed to the required thickness.

### Mounting Instructions

1. Drill a 6.35/6.53 (0.250/0.257 in.) dia. hole in the panel. Deburr but do not chamfer the edges of the hole.
2. Press the panel clip into the hole from the front of the panel.
3. Press the LED into the clip from the back. Use blunt long nose pliers to push on the LED. Do not use force on the LED leads. A tool such as a nut driver may be used to press on the clip.

**Note:** Clip and retaining ring are also available for T-1 package, from a non-HP source. Please contact Interconsal Association, 2584 Wyandotte Way, Mountain View, CA for additional information.  
Telephone: (408) 745-0161.



4. Slip a plastic retaining ring onto the back of the clip and press tight using tools such as two nut drivers.

Example: To order the HLMP-3300 including clip and ring, order as follows: HLMP-3300 Option 007.

### **Ordering Information**

T-1<sup>3</sup>/<sub>4</sub> High Dome LED Lamps can be purchased to include clip and

*[www.hp.com/go/led](http://www.hp.com/go/led)*

For technical assistance or the location of your nearest Hewlett-Packard sales office, distributor or representative call:

**Americas/Canada:** 1-800-235-0312 or 408-654-8675

**Far East/Australasia:** Call your local HP sales office.

**Japan:** (81 3) 3335-8152

**Europe:** Call your local HP sales office.

Data subject to change.

Copyright © 1999 Hewlett-Packard Co.

Obsoletes 5964-9298E

5968-4935E (4/99)