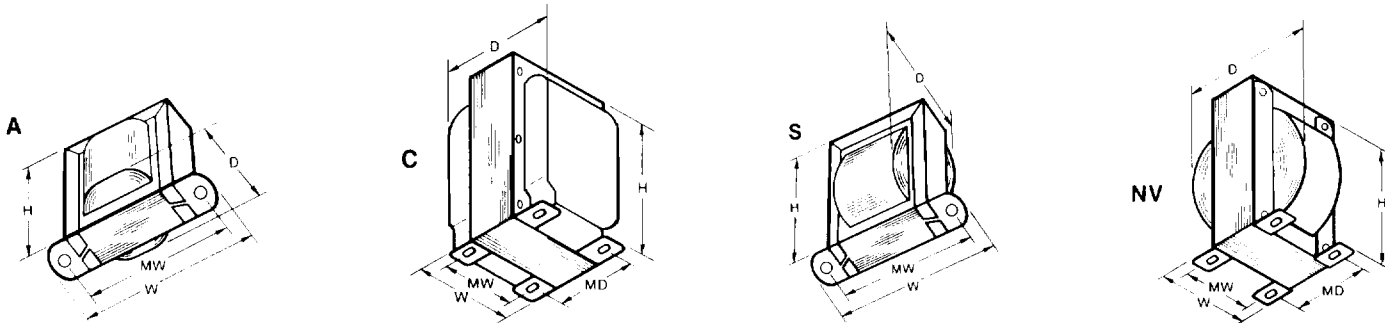
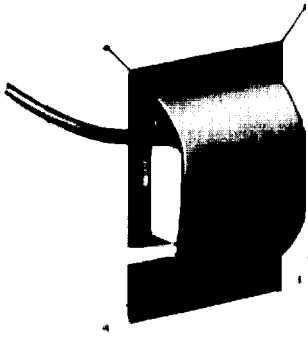


Power Transformers

CONTROL TRANSFORMERS

CONTROL FILAMENT POWER TRANSFORMERS

Stancor has developed a wide variety of power transformers for use in an array of electrical and electronic applications. Designed for today's high technology requirements, the extensive product line includes — Auto, control, energy limiting, filament, isolation, plate and filament, and rectifier. In addition, there are miniature transformers for printed circuit applications.



SINGLE SECONDARY: ALL PRIMARIES 50/60 Hz.§

S E C T	STANCOR Part No.	Style	Secondary ▲		Primary Volts	Insulation Test RMS Volts*	Termination		Dimensions-Inches					Wt. Lbs.
			Volts	Amps.			Pri.	Sec.	Case			Mounting		
									H	W	D	MW	MD	
A	P-8628	A	2.5C.T.	.3	117	1500	Leads	Leads	1 1/4	2 1/8	1 5/16	1 3/4	—	.3
	P-8629	A	2.5	1.0	117	1500	Leads	Leads	1 3/8	2 3/8	1 3/8	2	—	.4
	P-4026	A	2.5	1.5	117	2500	Leads	Leads	1 5/8	2 7/8	1 5/8	2 3/8	—	.7
	P-6133†	S	2.5C.T.	5.0	117	7500	Leads	Leads	2 3/4	3 1/8	2 1/4	2 13/16	—	1.5
	P-6454	S	2.5C.T.	10.0	117/107	7500	Leads	Leads	3 1/8	3 3/8	2 1/2	3 1/8	—	2.5
B	P-6467	A	5.0C.T.	3.0	117	2500	Leads	Leads	2	3 1/4	2 1/8	2 13/16	—	1.4
	P-6135	NV	5.0C.T.	10.0	117	2500	Leads	Leads	3 1/8	2 1/2	2 3/4	2	2 3/8	3.0
	P-6433†	NV	5.0C.T.	15.0	117	2500	Leads	Leads	3 1/8	2 1/2	2 3/4	2	2 1/4	3.0
C	P-8385	A	6.3C.T.	.3	117	1500	Leads	Leads	1 1/4	2 1/8	1 3/8	1 3/4	—	.3
	P-6465	A	6.3C.T.	.6	117	1500	Leads	Leads	1 3/8	2 3/8	1 1/2	2	—	.4
	P-8705	A	6.3C.T.	.6	230	1500	Leads	Leads	1 3/8	2 3/8	1 1/2	2	—	.4
	P-8389	A	6.3	1.0	117	1500	Leads	Leads	1 5/8	2 7/8	1 3/8	2 3/8	—	.6
	P-6134	A	6.3C.T.	1.2	117	3000	Leads	Leads	1 3/8	2 3/8	1 1/8	2 3/8	—	.8
	P-8190	A	6.3	1.2	117	5000	Leads	Leads	2	3 1/4	1 5/8	2 13/16	—	1.0
D	P-6466	A	6.3C.T.	3.0	117	2500	Leads	Leads	2	3 1/4	2 1/8	2 13/16	—	1.4
	P-8648	A	6.3C.T.	4.0	117	1500	Leads	Leads	2 3/8	3 3/4	2 1/8	3 1/8	—	1.6
	P-8649	A	6.3C.T.	5.0	117	1500	Leads	Leads	2 3/8	3 3/4	2 1/8	3 1/8	—	1.8
	P-3064†	NV	6.3C.T.	6.0	117	2500	Lugs	Lugs	3 1/8	2 1/2	2 3/8	2	2	2.4
	P-6456	A	6.3C.T.	6.0	117/107	2000	Leads	Leads	2 3/8	3 3/4	2 3/8	3 1/8	—	2.0
	P-8651	A	6.3C.T.	8.0	117	1500	Leads	Leads	2 3/8	4	2 1/4	3 3/16	—	2.4
	P-6464	C	6.3C.T.	10.0	117	2000	Leads	Leads	3 1/2	2 13/16	3 1/4	2 1/4	2	3.5
	P-6308†	NV	6.3C.T.	10.0	117/107	2500	Leads	Leads	3 3/16	2 11/16	2 3/8	2 1/4	2 1/8	3.4
	P-6309	NV	6.3C.T.	20.0	117/107	2500	Leads	Leads	4 7/16	3 3/4	3 3/8	3	2 3/8	6.7
E	P-5015†	NV	7.5C.T.	4.0	117	2500	Lugs	Lugs	3 1/8	2 1/2	2 1/4	2	2 1/8	2.7
	P-6138†	NV	7.5C.T.	8.0	117	2500	Leads	Leads	3 13/16	3 3/8	2 3/4	2 1/2	2 3/8	4.7
F	P-8652	A	10.0C.T.	1.0	117	1500	Leads	Leads	2	3 1/4	1 5/8	2 13/16	—	.9
	P-8653	A	10.0C.T.	2.0	117	1500	Leads	Leads	2	3 1/4	2	2 13/16	—	1.3
	P-8380	A	10.0C.T.	3.0	117	1500	Leads	Leads	2 3/8	3 3/4	2 1/4	3 1/8	—	1.6
	P-8654	A	10.0C.T.	4.0	117	1500	Leads	Leads	2 5/8	4	2 1/8	3 3/16	—	2.3
	P-5016†	NV	10.0C.T.	4.0	117	2500	Lugs	Lugs	3 7/16	2 13/16	2 1/2	2 1/4	2	3.3
	P-6458	NV	10.0C.T.	5.0	117/107	2000	Leads	Leads	3 1/16	2 1/2	2 1/2	2 1/8	1 13/16	3.0

§May be operated from a 400 Hz. source with no change in output ratings. †Has electrostatic shield.
*Insulation Test Voltage: Twice allowable RMS working voltage plus 1000 volts. ▲R.M.S. values

CONTROL TRANSFORMERS

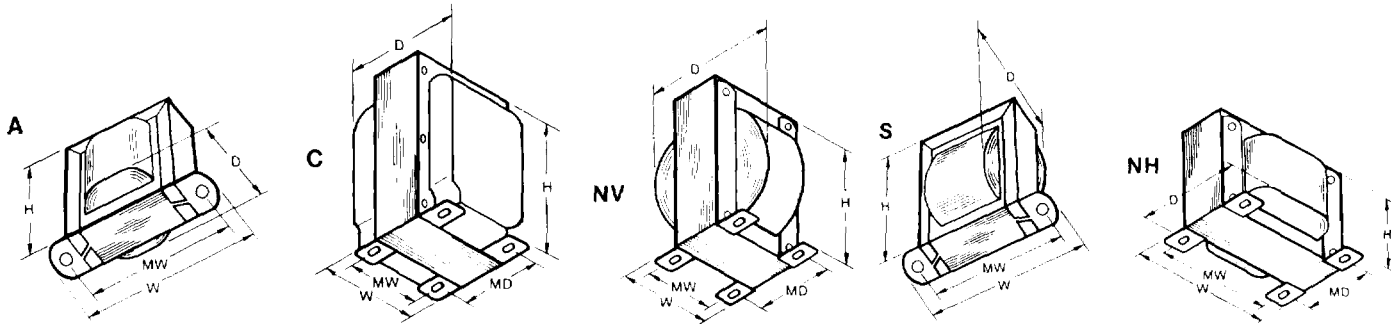
SINGLE SECONDARY: ALL PRIMARIES 50/60 Hz. (cont'd.)

S E C T	STANCOR Part No.	Style	Secondary ▲		Primary Volts	Insulation Test RMS Volts*	Termination		Dimensions-Inches					Wt. Lbs.	
			Volts	Amps.			Pri.	Sec.	Case			Mounting			
									H	W	D	MW	MD		
A	P-8655	NV	10.0C.T.	6.0	117	1500	Leads	Leads	3/8	2 1/2	2 3/4	2	2 1/4	2 5/16	3.1
	P-8656	NV	10.0C.T.	8.0	117	1500	Leads	Leads	3 7/16	2 13/16	3	2 1/4	2 1/2	4.1	
	P-6461	C	10.0C.T.	10.0	117	2000	Leads	Leads	3 7/8	3 1/4	3 9/16	2 1/2	2 1 1/16	5.0	
B	P-8390	A	12.0	.150	117	1500	Leads	Leads	1 1/4	2 1/8	1 1/4	1 3/4	—	.25	
	P-8391	A	12.0	.350	117	1500	Leads	Leads	1 3/8	2 3/8	1 3/8	2	—	.35	
	P-8392	A	12.0	.700	117	1500	Leads	Leads	1 5/8	2 7/8	1 5/8	2 3/8	—	.60	
	P-8393	A	12.0	1.200	117	1500	Leads	Leads	2	3 1/4	1 5/8	2 13/16	—	.85	
	P-8657	A	12.0	2.0	117	1500	Leads	Leads	2	3 1/4	2 1/8	2 13/16	—	1.3	
	P-8658	A	12.0	4.0	117	1500	Leads	Leads	2 5/8	4	2 1/4	3 9/16	—	2.3	
	P-8659	NV	12.0	6.0	117	1500	Leads	Leads	3 7/16	2 13/16	2 5/8	2 1/4	2 1/8	3.4	
	P-8660	NV	12.0	8.0	117	1500	Leads	Leads	3 1 3/16	3 3/8	2 3/4	2 1/2	2 1/8	4.3	
C	P-8384	A	12.6C.T.	1.0	117	1500	Leads	Leads	2	3 1/4	1 3/4	2 13/16	—	.9	
	P-8550	A	12.6C.T.	1.5	115	1500	Leads	Leads	1 15/16	3 5/16	2	2 13/16	—	1.3	
D	P-8130	A	12.6C.T.	2.0	117	1500	Leads	Leads	2	3 1/4	2 1/8	2 13/16	—	1.4	
	P-8715	A	12.6C.T.	2.0	230	1500	Leads	Leads	2	3 1/4	2 1/8	2 13/16	—	1.4	
	P-8358	A	12.6C.T.	3.0	117	1500	Leads	Leads	2 3/8	3 3/4	2 1/4	3 1/8	—	1.6	
	P-8641	A	12.6C.T.	4.0	117	1500	Leads	Leads	2 5/8	4	2 3/8	3 9/16	—	2.3	
	P-8642	C	12.6C.T.	6.0	117	1500	Leads	Leads	3 1/2	2 13/16	3 3/8	2 1/4	2 3/16	3.8	
	P-8643	C	12.6C.T.	8.0	117	1500	Leads	Leads	3 7/8	3 3/8	3 5/8	2 1/2	2 3/8	5.0	
	P-8644	C	12.6C.T.	10.0	117	1500	Leads	Leads	4 1/4	3 7/16	3 7/8	2 3/4	2 3/4	6.3	
	P-8716	A	12.6C.T.	4.0	230	2500	Leads	Leads	2 5/8	4	2 3/8	3 9/16	—	2.3	
E	P-8577	A	14.0C.T.	.250	115/230	1500	Leads	Leads	1 3/8	2 3/8	1 1/2	2	—	.3	
	P-8553	A	14.0C.T.	.250	115	1500	Leads	Leads	1 5/8	2 3/8	1 3/8	2	—	.4	
	P-8555	A	14.0C.T.	1.0	115	1500	Leads	Leads	1 15/16	3 1/4	1 3/4	2 13/16	—	1.2	
	P-8556	A	14.0C.T.	2.0	115	1500	Leads	Leads	2 1/4	3 1 1/16	1 15/16	3 3/8	—	1.5	
	P-8557	NV	14.0C.T.	4.0	115	1500	Leads	Leads	3	2 1/2	2 7/16	2	2 1/4	3.0	
	P-8558	NV	14.0C.T.	6.0	115	1500	Leads	Leads	3 3/8	2 13/16	2 7/8	2 1/4	2 3/8	4.0	
F	P-8690	A	18.0C.T.	.750	115	1500	Leads	Leads	1 15/16	3 5/16	2	2 13/16	—	1.3	
	P-8691	A	18.0C.T.	1.0	115	1500	Leads	Leads	1 15/16	3 5/16	2 1/8	2 13/16	—	1.5	
	P-8692	A	18.0C.T.	1.5	115	1500	Leads	Leads	2 9/32	3 3/4	2 3/8	3 1/8	—	1.7	
	P-8693	A	18.0C.T.	2.0	115	1500	Leads	Leads	2 9/32	3 3/4	2 1/4	3 1/8	—	2.0	
G	P-8500	A	20.0C.T.	.050	115/230	2500	Leads	Leads	1 1/4	2 1/8	1 1/4	1 3/4	—	.3	
	P-8504	A	20.0C.T.	.250	115/230	2500	Leads	Leads	1 3/8	2 3/8	1 3/8	2	—	.4	
	P-8505	A	20.0C.T.	.300	115/230	2500	Leads	Leads	1 3/8	2 3/8	1 3/8	2	—	.6	
	P-8507	A	20.0C.T.	.500	115/230	2500	Leads	Leads	1 5/8	2 7/8	1 1/2	2 5/8	—	.8	
	P-8508	A	20.0C.T.	1.0	115/230	2500	Leads	Leads	2	3 1/4	2 1/4	2 13/16	—	1.4	
H	P-8604	A	20.0C.T.	1.0	117	1500	Leads	Leads	2	3 1/4	2 1/8	2 13/16	—	1.4	
	P-8559	A	20.0C.T.	2.0	115	1500	Leads	Leads	2 9/16	4	2 1/4	3 9/16	—	2.5	
	P-8560	NV	20.0C.T.	4.0	115	1500	Leads	Leads	3 3/8	2 13/16	2 7/8	2 1/4	2 3/8	4.0	
I	P-8551 #	A	24.0	1.0	115	1500	Leads	Leads	1 15/16	3 3/4	2 1/8	2 13/16	—	1.4	
	P-8694 #	A	24.0	2.0	115	1500	Leads	Leads	2 9/16	4	2	3 9/16	—	2.3	
J	P-8394	A	24.0C.T.	.085	117	1500	Leads	Leads	1 1/4	2 1/8	1 1/4	1 3/4	—	.25	
	P-8720	A	24.0C.T.	.085	230	1500	Leads	Leads	1 1/4	2 1/8	1 1/4	1 3/4	—	.25	
	P-8395	A	24.0C.T.	.200	117	1500	Leads	Leads	1 3/8	2 3/8	1 3/8	2	—	.35	
	P-8721	A	24.0C.T.	.200	230	1500	Leads	Leads	1 3/8	2 3/8	1 3/8	2	—	.35	
	P-8578	A	24.0C.T.	.200	115/230	1500	Leads	Leads	1 3/8	2 3/8	1 1/2	2	—	.30	
	P-8396	A	24.0C.T.	.400	117	1500	Leads	Leads	1 5/8	2 7/8	1 5/8	2 3/8	—	.60	
	P-8722	A	24.0C.T.	.400	230	1500	Leads	Leads	1 5/8	2 7/8	1 1/2	2 3/8	—	.60	
	P-8397	A	24.0C.T.	.700	117	1500	Leads	Leads	2	3 1/4	1 3/4	2 13/16	—	.85	
	P-8723	A	24.0C.T.	.700	230	1500	Leads	Leads	2	3 1/4	1 5/8	2 13/16	—	.85	
K	P-8661	A	24.0C.T.	1.0	117	1500	Leads	Leads	2	3 1/4	2 1/16	2 13/16	—	1.4	
	P-8575	A	24.0C.T.	1.0	115/230	1500	Leads	Leads	1 15/16	3 5/16	2	2 13/16	—	1.3	
	P-8662	A	24.0C.T.	2.0	117	1500	Leads	Leads	2 5/8	4	2 3/8	3 9/16	—	2.3	
	P-8663	NV	24.0C.T.	4.0	117	1500	Leads	Leads	3 1 3/16	3 3/8	2 13/16	2 1/2	2 1/8	4.0	
	P-8664	NV	24.0C.T.	6.0	117	1500	Leads	Leads	4 3/16	3 7/16	3	2 3/4	2 1/4	5.7	
	P-8665	NV	24.0C.T.	8.0	117	1500	Leads	Leads	4 3/16	3 7/16	3 3/8	2 3/4	2 3/4	7.3	
	P-8695	NV	24.0C.T.	10.0	115	1500	Leads	Leads	4 7/8	3 7/16	3 3/4	2 3/4	3	8.0	
	P-8666	NV	24.0C.T.	12.0	117	1500	Leads	Leads	4 9/16	3 3/4	4 5/8	3	3 1/4	11.2	
L	P-6469	A	25.2	1.0	117	1500	Leads	Leads	2	3 1/4	2 1/8	2 13/16	—	1.4	
	P-8707	A	25.2	1.0	230	1500	Leads	Leads	2	3 1/4	2 1/8	2 13/16	—	1.4	
	P-8180	A	25.2C.T.	1.0	117	1500	Leads	Leads	2	3 1/4	2 1/4	2 13/16	—	1.4	
	P-8357	A	25.2C.T.	2.0	117	1500	Leads	Leads	2 5/8	4	2 1/4	3 9/16	—	2.2	
	P-8574	A	25.2C.T.	2.0	115/230	1500	Leads	Leads	2 19/32	4	2 1/4	3 9/16	—	2.2	
	P-8388	A	25.2C.T.	2.8	117	1500	Leads	Leads	2 5/8	4	2 1/4	3 9/16	—	2.2	
	P-8645	C	25.2C.T.	5.0	117	1500	Leads	Leads	4 1/4	3 7/16	3 3/8	2 3/4	2 1 1/16	6.0	
	P-8646	C	25.2C.T.	7.5	117	1500	Leads	Leads	4 1/4	3 1/2	4 1/4	2 3/4	3 3/8	7.3	

*Insulation Test Voltage Twice allowable RMS working voltage plus 1000 volts. †Has electrostatic shield. ▲ R.M.S. values.
 §May be operated from a 400 Hz. source with no change in output ratings. # 60 Hz. only.

Power Transformers

CONTROL TRANSFORMERS



SINGLE SECONDARY: ALL PRIMARIES 50/60 Hz. (cont'd)

S E C T	STANCOR Part No.	Style	Secondary ▲		Primary Volts	Insulation Test RMS Volts*	Termination		Dimensions-Inches					Wt. Lbs.
			Volts	Amps.			Pri.	Sec.	Case			Mounting		
									H	W	D	MW	MD	
A	P-8607	A	26.0C.T. Nominal	.25	117‡	2500	Leads	Leads	1 1/8	2 1/8	1 3/4	2 3/8	—	.70
	‡Primary tapped to provide secondary voltages of 24.5C.T. or 27.5C.T. or 29C.T.													
	P-8609	A	26.8C.T.	1.0	117	1500	Leads	Leads	2	3 1/4	2 1/8	2 13/16	—	1.3
B	P-8600	A	28.0C.T.	.085	117	1500	Leads	Leads	1 1/4	2 1/8	1 1/4	1 3/4	—	.25
	P-8601	A	28.0C.T.	.175	117	1500	Leads	Leads	1 3/8	2 3/8	1 3/8	2	—	.35
	P-8602	A	28.0C.T.	.300	117	1500	Leads	Leads	1 3/8	2 3/8	1 3/8	2 3/8	—	.60
	P-8603	A	28.0C.T.	.800	117	1500	Leads	Leads	2	3 1/4	2 1/8	2 13/16	—	1.0
	P-8667	A	28.0C.T.	1.0	117	1500	Leads	Leads	2	3 1/4	2 1/8	2 13/16	—	1.4
	P-8668	NV	28.0C.T.	2.0	117	1500	Leads	Leads	3 3/8	2 1/2	2 1/2	2	2 3/16	2.9
	P-8669	NV	28.0C.T.	4.0	117	1500	Leads	Leads	3 13/16	3 3/8	3 1/4	2 1/2	2 1/2	5.3
	P-8670	NV	28.0C.T.	6.0	117	1500	Leads	Leads	4 3/16	3 1/16	3 1/2	2 3/4	2 3/8	7.0
C	P-8610	A	36.0C.T.	.065	117	1500	Leads	Leads	1 1/4	2 1/8	1 1/4	1 3/4	—	.25
	P-8728	A	36.0C.T.	.065	230	1500	Leads	Leads	1 1/4	2 1/8	1 1/4	1 3/4	—	.25
	P-8611	A	36.0C.T.	.135	117	1500	Leads	Leads	1 3/8	2 3/8	1 3/8	2	—	.35
	P-8612	A	36.0C.T.	.300	117	1500	Leads	Leads	1 3/8	2 3/8	1 3/8	2 3/8	—	.60
	P-8613	A	36.0C.T.	.550	117	1500	Leads	Leads	2	3 1/4	1 7/8	2 13/16	—	1.0
	P-8671	A	36.0C.T.	1.0	117	1500	Leads	Leads	2 3/8	3 3/4	2 1/4	3 3/8	—	2.0
	P-8672	NV	36.0C.T.	2.0	117	1500	Leads	Leads	3 1/16	2 13/16	2 3/4	2 1/4	2 1/8	3.5
	P-8673	NV	36.0C.T.	4.0	117	1500	Leads	Leads	4 3/16	3 1/16	2 7/8	2 3/4	2 3/8	6.0
		P-8674	NV	36.0C.T.	6.0	117	1500	Leads	Leads	4 3/16	3 3/4	3 1/2	3	2 5/8
D	P-8542	A	40.0C.T.	.250	115/230	2500	Leads	Leads	1 3/8	2 7/8	1 1/2	2 3/8	—	.8
	P-8564	A	40.0C.T.	1.0	115	1500	Leads	Leads	2 9/16	4	2 1/4	3 9/16	—	2.6
	P-8566	NV	40.0C.T.	4.0	115	1500	Leads	Leads	3 3/4	3 3/8	3 1/2	2 1/2	2 7/8	6.4
E	P-8605	A	48.0C.T. Nominal	1.0	117‡	2500	Leads	Leads	2 3/8	4	2 3/8	3 9/16	—	2.3
‡Primary tapped to provide secondary voltages of 45C.T. or 51C.T. or 54C.T.														
F	P-8571	NV	60.0C.T.	2.0	115	1500	Leads	Leads	3 3/4	3 1/8	3 1/8	2 1/2	2 5/8	5.6

*Insulation Test Voltage Twice allowable RMS working voltage plus 1000 volts. ▲R.M.S. values.
 ‡May be operated from a 400 Hz. source with no change in output ranges.

CONTROL TRANSFORMERS

MULTIPLE SECONDARIES: ALL PRIMARIES 50/60 Hz.§

S E C T	STANCOR Part No.	Style	Secondary ▲		Primary Volts	Insulation Test RMS Volts*	Termination		Dimensions-Inches					Wt. Lbs.
			Volts	Amps.			Pri.	Sec.	Case			Mounting		
									H	W	D	MW	MD	
A	P-6428†	C	6.3	1.75	117	2500	Leads	Leads	3 1/8	2 1/2	3 1/8	2	2	3.0
			6.3	1.75										
			6.3	1.75										
	P-6429†	C	6.3C.T.	1.75	117	2500	Leads	Leads	3 7/8	3 1/8	3 1/2	2 1/2	2 3/16	4.8
			6.3	3.5										
			6.3	3.5										
	P-6434	C	6.3C.T.	3.5	117	1500	Leads	Leads	3 1/2	2 13/16	3 1/4	2 1/4	2	3.5
			12.6	2.5										
			12.6C.T.	2.5										

DUAL C.T. SECONDARIES: ALL PRIMARIES 50/60 Hz.§†

B	P-8682	S	12.0C.T.	.5	115	1500	Lugs	Lugs	2 3/8	2 7/8	1 7/8	2 3/8	—	1.1
	P-8683	S	12.0C.T.	.5	115	1500	Lugs	Lugs	2 3/4	3 1/8	2 1/8	2 13/16	—	1.7
			12.0C.T.	1.0										
P-8678	NH	12.0C.T.	4.0	115	1500	Lugs	Lugs	3 1/8	3 3/4	2 15/16	3 1/8	2 1/4	4.5	
		12.0C.T.	4.0											
C	P-8684 #	NH	18.0C.T.	1.0	115	1500	Lugs	Lugs	2 1/2	3	2 1/2	2 1/2	2	2.3
			18.0C.T.	1.0										
	P-8685 #	NH	18.0C.T.	2.0	115	1500	Lugs	Lugs	3 1/4	3 13/16	3 1/8	3 1/8	2 1/4	4.5
			18.0C.T.	2.0										
	P-8686 #	NH	18.0C.T.	4.0	115	1500	Lugs	Lugs	3 9/16	4 1/8	3 1/8	3 7/16	2 1/4	5.8
18.0C.T.			4.0											
P-8687 #	NH	18.0C.T.	8.0	115	1500	Lugs	Lugs	3 7/8	4 1/2	4 1/8	3 3/4	2 3/4	8.9	
		18.0C.T.	8.0											
D	P-8696	A	32.0C.T.	.25	230	1500	Lugs	Lugs	2 1/4	3 3/4	1 7/8	3 1/8	—	1.3
E	P-8750	A	32.0C.T.	.25	115	1500	Leads	Leads	2 1/4	3 3/4	1 7/8	3 1/8	—	1.3
			15.5C.T.	.75										
	P-8754	NV	32.0C.T.	1.0	115	1500	Lugs	Lugs	4 1/8	3 7/16	3 1/2	2 3/4	2 3/4	7.4
			15.0C.T.	10.0										

†Has Electrostatic shield. †Windings may be connected in series or parallel if properly phased. ALL SECONDARY VOLTAGES ± 3%.
 *Insulation Test Voltage: Twice allowable RMS Working Voltage plus 1000 Volts. §May be operated from a 400 Hz. source with no change in output ratings.
 †Tapped at 100/105/110/115 Volts ▲ R.M.S. values. # For 60 Hz. only.

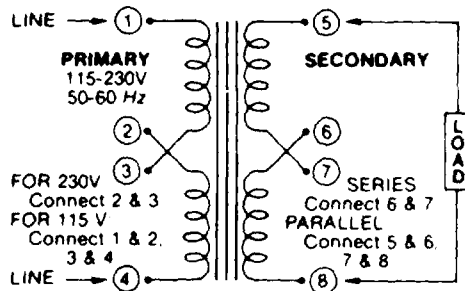
Power Transformers

CONTROL TRANSFORMERS

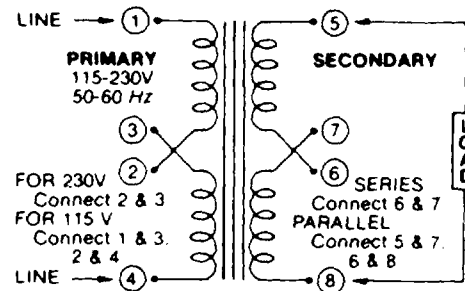
Typical Applications: Automatic Assembly equipment, Relays, Solenoids, Small Motors, Speed Changers, Recording Devices, Pumps, Electronic Tubes, Heating Elements, Elevators, Door Openers, Auto-

matic Musical Instruments, Low Voltage Lighting Signal Lamps, Spark Plug Testers, Control Valves for Fluids and Gases, Fans and Blowers, Mechanical and Electrical Signs.

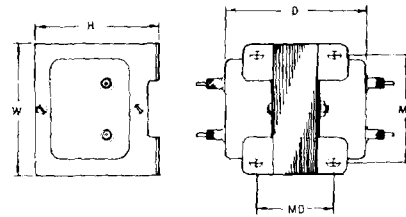
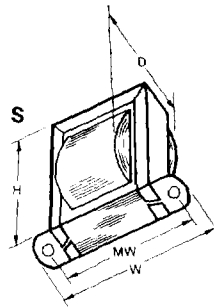
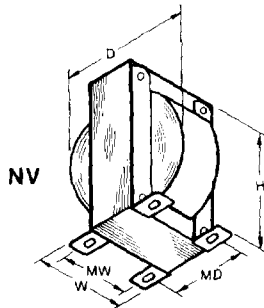
TERMINATION



(Schematic Diagram)
FOR P-6377, P-6378, P-6379,
P-8617, P-8618 AND P-8619



(Schematic Diagram)
FOR P-6375, P-6376,
P-8615 AND P-8616



STYLE PCF

® U.L. RECOGNIZED UNIT.

PRIMARIES 115/230 VOLTS 50/60 Hz. §—SOLDER LUG TERMINATION—DUAL SECONDARY WINDINGS #

S E C T	STANCOR Part No.	Style	V.A. Cap.	Output From Two Secondary Windings* ▲			Dimensions-Inches					Wt. Lbs.
				Individually	Parallel	Series	Case			Mounting		
							H	W	D	MW	MD	
A	P-6375	S	12	6V. @ 1A.	6V. @ 2A.	12V. @ 1A.	2 ³ / ₈	2 ⁷ / ₈	1 ⁵ / ₈	2 ³ / ₈	—	1.0
	P-6376	S	24	6V. @ 2A.	6V. @ 4A.	12V. @ 2A.	2 ³ / ₄	3 ¹ / ₈	1 ⁷ / ₈	2 ¹³ / ₁₆	—	1.5
B	P-6377	S	48	12V. @ 2A.	12V. @ 4A.	24V. @ 2A.	3 ¹ / ₈	3 ³ / ₈	2 ¹ / ₄	3 ¹ / ₈	—	2.5
	P-6378	NV	96	12V. @ 4A.	12V. @ 8A.	24V. @ 4A.	3 ¹ / ₂	2 ¹³ / ₁₆	3	2 ¹ / ₄	2 ¹ / ₄	4.2
C	P-8615	S	12	24V. @ .25A.	24V. @ .5A.	48V. @ .25A.	2 ³ / ₈	2 ⁷ / ₈	1 ⁵ / ₈	2 ³ / ₈	—	1.0
	P-8616	S	24	24V. @ .5A.	24V. @ 1A.	48V. @ .5A.	2 ³ / ₄	3 ¹ / ₈	1 ⁷ / ₈	2 ¹³ / ₁₆	—	1.5
D	P-8617	S	48	24V. @ 1A.	24V. @ 2A.	48V. @ 1A.	3 ¹ / ₈	3 ³ / ₈	2 ¹ / ₄	3 ¹ / ₈	—	2.5
	P-8618	NV	96	24V. @ 2A.	24V. @ 4A.	48V. @ 2A.	3 ¹ / ₂	2 ¹³ / ₁₆	3	2 ¹ / ₄	2 ¹ / ₄	4.2
E	P-8619	NV	192	24V. @ 4A.	24V. @ 8A.	48V. @ 4A.	4 ¹ / ₄	3 ¹ / ₁₆	3 ³ / ₈	2 ³ / ₄	3	8.0

POWER CIRCUIT TRANSFORMERS: PRIMARIES 230/460 50/60 Hz.—LEAD WIRE TERMINATION §

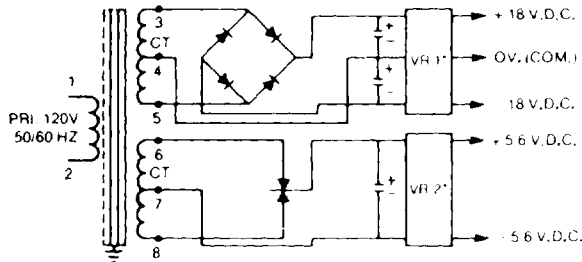
S E C T	STANCOR Part No.	Style	PRIMARY Volts	Secondary ▲			Dimensions-Inches					Wt. Lbs.
				Volts	Amps.	V.A. Cap.	Case			Mounting		
							H	W	D	MW	MD	
D	PCF-24075	PCF	230/460	115	.65	75	3 ³ / ₁₆	3 ¹ / ₂	3 ⁵ / ₈	3	2 ¹ / ₄	4 ¹ / ₄

*By connecting primaries in series (for 230 Volts) but using only 115 Volts input, a series of half voltage output ratings becomes available at the full rated current from each secondary.

§ (Refer to Schematic Diagram) ▲ R.M.S. values
§ May be operated from a 400 Hz. source with no change in output ratings.

CONTROL TRANSFORMERS

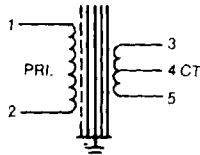
TYPICAL CIRCUIT USED WITH PCA-3 and PCA-4 POWER TRANSFORMERS



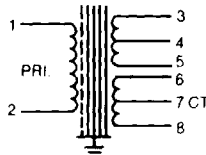
*VR-1 & VR-2 ARE SOLID STATE VOLTAGE REGULATORS

FOR PERIPHERAL COMPUTER ACCESSORIES — “PCA SERIES”

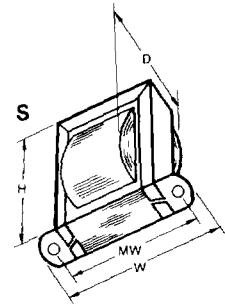
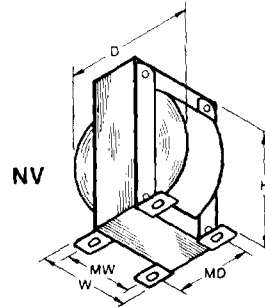
Designed for use in power supplies delivering regulated positive and negative D.C. voltage and separate 5 to 6 Volt regulated D.C. voltage. All transformer ratings are for continuous duty with a 105°C. maximum operating temperature limit. All primaries for 120 volts, 50-60 Hertz. All have electrostatic shield grounded to core internally.



PCA-1, -2



PCA-3, -4



S E C T	STANCOR Part No.	Style	Sec. #1 A.C.▲		Sec. #2 A.C.▲		Termination		Dimensions-Inches					Wt. Lbs.
			Volts	Amps.	Volts	Amps.	Pri.	Sec.	Case			Mounting		
									H	W	D	MW	MD	
A	PCA-2	S	33.0C.T.	.35	—	—	Lugs	Lugs	2 ¹ / ₁₆	3 ¹ / ₈	1 ⁷ / ₈	2 ¹³ / ₁₆	—	1.4
B	PCA-3	NV	33.0C.T.	.21	18C.T.	1.25	Lugs	Lugs	3 ¹ / ₈	2 ¹ / ₂	2 ⁵ / ₈	2	2 ³ / ₈	3.0
	PCA-4	NV	34.0C.T.	.35	19C.T.	2.50	Lugs	Lugs	3 ⁷ / ₁₆	2 ¹³ / ₁₆	2 ⁷ / ₈	2 ¹ / ₄	2 ³ / ₈	3.9

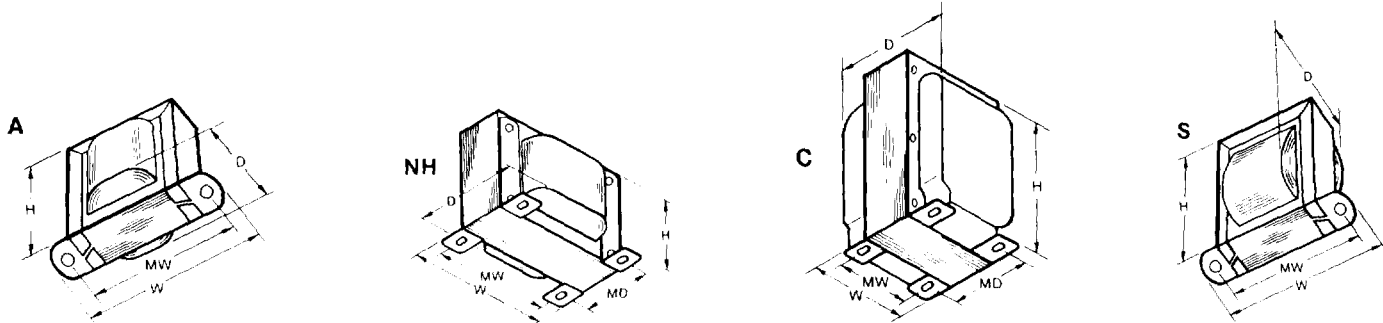
▲R.M.S. values. # Refer to Schematic in Technical Notes Section

D.C. OUTPUT RATINGS

STANCOR Part No.	Secondary No. 1 FWB Rectifier	Input Filter Cap.	Secondary No. 2 FWCT Rectifier	Input Filter Cap.
PCA-2	Pos. 21V. D.C. at 250MA. D.C. Neg. 21V. D.C. at 250MA. D.C.	500MF 500MF	— —	— —
PCA-3	Pos. 21V. D.C. at 150MA. D.C. Neg. 21V. D.C. at 150MA. D.C.	500MF 500MF	8.5V. D.C. at 2.0 Amps. D.C.	1000MF —
PCA-4	Pos. 21V. D.C. at 250MA. D.C. Neg. 21V. D.C. at 250MA. D.C.	500MF 500MF	8.0V. D.C. at 4.0 Amps. D.C.	3000MF —

Power Transformers

CONTROL TRANSFORMERS



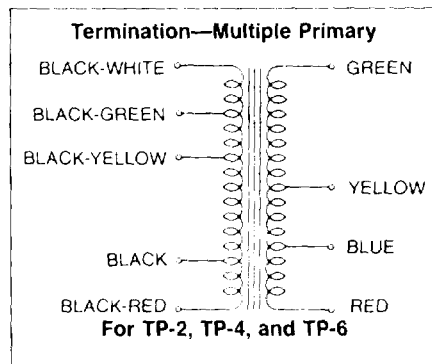
PRIMARIES 117 VOLTS 60 Hz. §—LEAD WIRE TERMINATION, EXCEPT †

S E C T	STANCOR Part No.	Style	Secondary # 1		Secondary # 2		Dimensions-Inches					Wt. Lbs.
			Volts	Amperes	Volts	Amperes	Case			Mounting		
							H	W	D	MW	MD	
A	P-8604*	A	20C.T.	1.0 Amps. RMS	—	—	2	3¼	2½	2 ¹³ / ₁₆	—	1.4
	P-8198†▲	C	54C.T.	.5 Amps. RMS	6.3	.5 Amps. RMS	2 ⁵ / ₈	2 ⁷ / ₁₆	2 ⁵ / ₁₆	1¾	1 ¹ / ₈	1.7

§May be operated from a 400 Hz. source with no change in output ratings.
*May be operated from 117 volts 50/60 Hz. at full-rated load.

†Has solder lug terminations

▲Secondary leads have lugs attached.



6.5	21C.T.
7.5	22
8	24
9	26.5C.T.
9.5	27
10	28
13.5C.T.	29C.T.
14.5C.T.	31.5
16C.T.	32C.T.
18C.T.	35.5C.T.
19C.T.	37C.T.
20	42C.T.

**Typical Secondary
AC Voltages
For TP-2, TP-4, and TP-6**

RECTIFIER TRANSFORMERS: PRIMARIES 117 VOLTS 60 Hz. §—LEAD WIRE TERMINATION

Multiple Primary and Secondary Taps offer a wide selection of output Voltages. All DC current ratings are based on capacitor input Filtering.

S E C T	STANCOR Part No.	Style	Max. DCMA			Dimensions-Inches					Wt. Lbs.
			Full-Wave C.T.	Bridge	Half-Wave	Case			Mounting		
						H	W	D	MW	MD	
B	TP-2	A	150	100	50	1 ⁵ / ₈	2 ⁷ / ₈	1 ¹ / ₈	2 ³ / ₈	—	.7
	TP-4	C	1500	1000	500	3 ¹ / ₈	2 ¹ / ₂	3 ¹ / ₈	2	2 ¹ / ₈	3.2
	TP-6	A	50	35	25	1 ³ / ₈	2 ³ / ₈	1 ¹ / ₁₆	2	—	.45

§May be operated from a 400 Hz. source with no change in output ratings.

Refer to Schematic in Technical Notes Section.

VERSATILE LOW CURRENT CONTROL TRANSFORMERS:

PRIMARIES 117 VOLTS 50/60 Hz. § LEAD WIRE TERMINATION MULTIPLE SECONDARIES

Three isolated 12 Volt Secondaries (one with a center tap) provide many combinations of output voltages and current by series or parallel combinations.

S E C T	STANCOR Part No.	Style	Amperes▲ Each Sec.	Dimensions-Inches				Wt. Lbs.
				Case			Mounting	
				H	W	D	MW	
C	P-8361	S	.10	1 ³ / ₄	2	1 ¹ / ₂	1 ³ / ₄	.36
	P-8362	S	.15	2	2 ³ / ₈	1 ³ / ₄	2	.60
	P-8363	S	.25	2 ³ / ₈	2 ¹ / ₈	1 ³ / ₄	2 ³ / ₈	.85
	P-8364	S	.50	2 ³ / ₈	2 ¹ / ₈	2 ¹ / ₈	2 ³ / ₈	1.25

§May be operated from a 400 Hz. source with no change in output ratings.
▲R.M.S. values.

