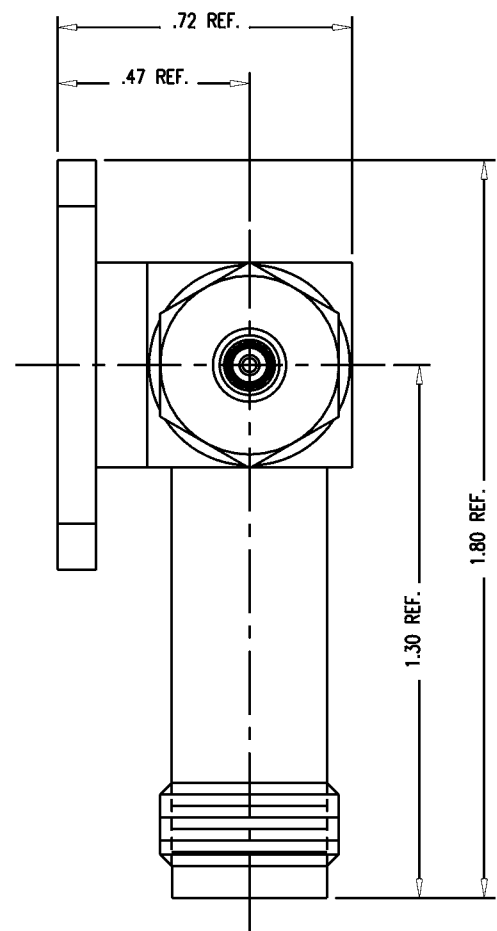
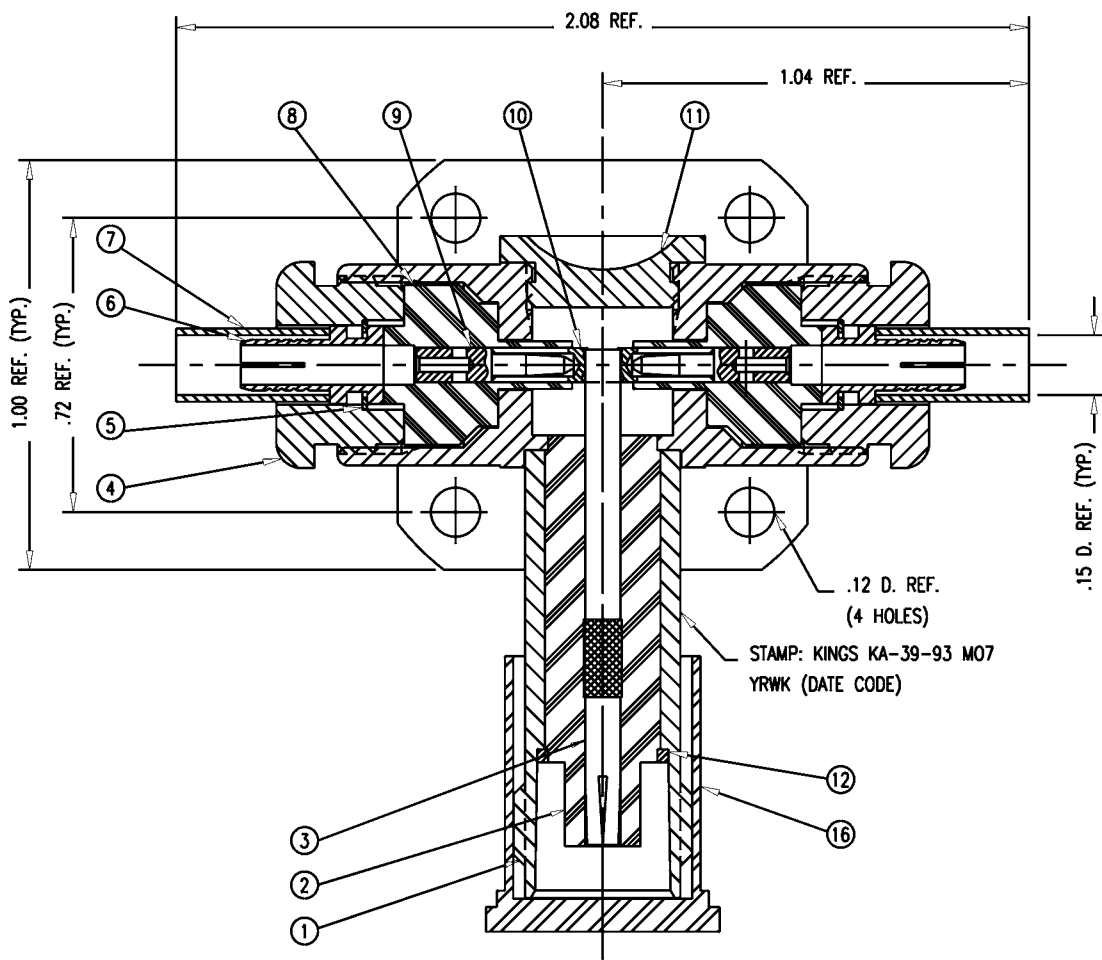


DASH NO.	M CODE	MADE FROM
----------	--------	-----------

SD



KA-39-93-M07
(SHEET 1 OF 2)

REVISIONS

ISSUE	CHANGES
0	ER 20373 MJB 05/10/80
1	CN 33903 A KH 05/11/92
2	CN 38849 C REDRAWN HVN 05/28/03

KA-39-93 M07S

SCALE 3:1

APPROX SURFACE AREA

WAS E-8811

USED ON

REF: MCDONNELL DOUGLAS, DO 14084-1

TNC
TEE PANEL JACK

DRAWN HVN DATE 05/20/03

DESIGN MJB DATE 05/10/80

APPR. DATE

KINGS
ELECTRONICS CO., INC.
ROCK HILL, SOUTH CAROLINA 29730

KA-39-93-M07
(SHEET 1 OF 2)

SD

- NOTES:
1. FOR USE NAVAIR #67A37A130 (RAYCHEM 5022D1312-9) CABLE.
 2. FOR CABLE TRIMMING DATA SEE 3-86.
 3. FOR CRIMPING USE DIE SIZE 24.