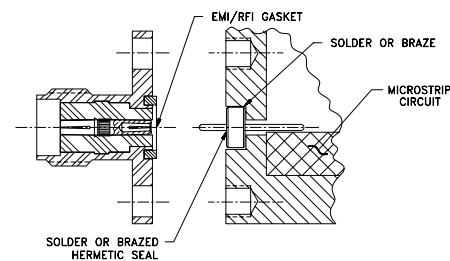
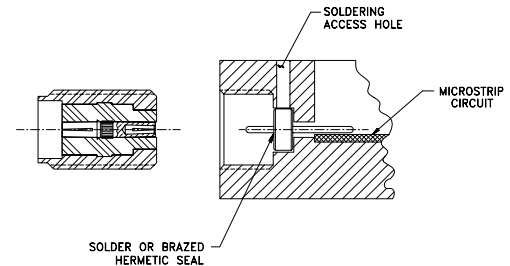


- Replace Connectors without the loss of hermeticity
- Low VSWR and EMI/RFI Leakage
- Center Conductor Diameters of .012, .015, .018, and .020

Hermetically sealed microwave components that are required to meet the specifications of MIL-STD-883B and MIL-M-38510 must retain their seal integrity when subjected to a myriad of environmental tests which usually require an extensive amount of post electrical testing. During these tests, the connector(s) can become worn or damaged and it is often necessary to replace them. Midwest Microwave offers this series of Field Replaceable Drop-in Hermetically Sealed Connectors to satisfy the need for a connector that can be replaced without violating the hermeticity of the package and that will work efficiently together with a supplied hermetic seal that the user can solder or braze simply and directly into their microwave package. In addition, the connectors should be designed such that they will provide the maximum amount of EMI/RFI protection possible. Connectors in this series include a hermetic seal that is available in four different center conductor diameter sizes (.012, .015, .018, .020). The user must select the center conductor launch diameter depending on the microstrip line width and dielectric constant of the board material being used in the particular application.



Drop-in Assembly - Flanged Connector



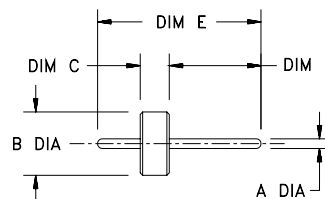
Drop-in Assembly - Feedthru Connector

Performance Characteristics		
Connector Element	VSWR to 18 GHz	EMI/RFI Leakage (dB)
Connector Only	1.04 + .006 f	- (70 - f GHz)
Seal Only	1.02 + .003 f	- (70 - f GHz)
Connector + Seal	1.06 + .01 f	- (70 - f GHz)

Note: BMA (Blind Mate), 3.5mm, and 2.9mm Field Replaceable Drop-in Hermetic Receptacles are shown on pages 223, 224, and 225.

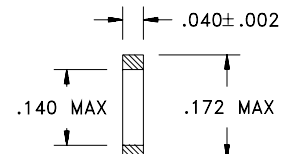
Hermetic Seal - Solder/Braze

Model Number	Dimensions - inches				
	A	B	C	D	E
HRM-0001-95-DRP-00	.012	.100	.063	.180	.315
HRM-0002-95-DRP-00	.015	.100	.063	.180	.315
HRM-0003-95-DRP-00	.018	.112	.063	.180	.315
HRM-0004-95-DRP-00	.020	.158	.069	.070	.220

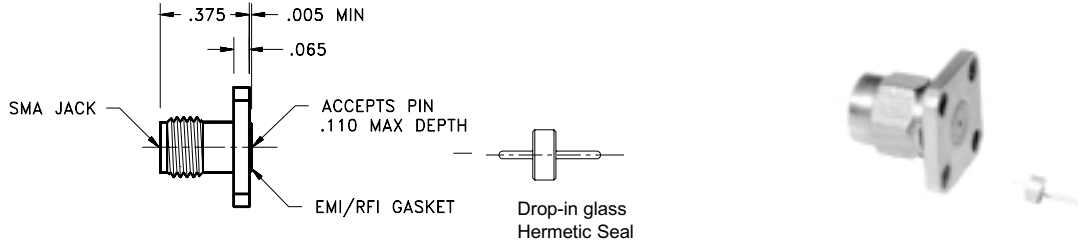


Gasket - EMI/RFI

Model Number
GSK-0054-99-DRP-54



Straight Flange Mount Female Jack Launcher with EMI/RFI Gasket

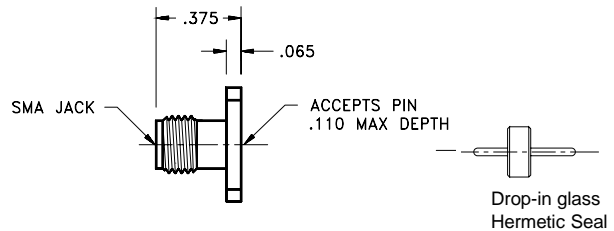


Mechanically Captured Center Contact							
Model Number ** Connector and Seal **	Seal Pin Dia. Inches (mm)	Flange Size	Mounting Hole Detail	Model Number ** Connector Only **	Accepts Pin Dia. Inches (mm)	Flange Size	Mounting Hole Detail
SMA-5372-15-DRP-02	.012 (0.3)	.375 (9.5) Square	II	SMA-5362-15-DRP-02	.012 (0.3)	.375 (9.5) Square	II
SMA-5373-15-DRP-02	.015 (0.5)			SMA-5363-15-DRP-02	.015 (0.5)		
SMA-5374-15-DRP-02	.018 (0.7)		III	SMA-5364-15-DRP-02	.018 (0.7)		
SMA-5572-15-DRP-02	.012 (0.3)	.500 (12.7) Square	IV	SMA-5562-15-DRP-02	.012 (0.3)	.500 (12.7) Square	IV
SMA-5573-15-DRP-02	.015 (0.3)			SMA-5563-15-DRP-02	.015 (0.5)		
SMA-5574-15-DRP-02	.018 (0.5)		V	SMA-5564-15-DRP-02	.018 (0.7)		V
SMA-5672-15-DRP-02	.012 (0.3)	.625 (15.9) Two Hole	VI	SMA-5662-15-DRP-02	.012 (0.3)	.625 (15.9) Two Hole	VI
SMA-5673-15-DRP-02	.015 (0.5)			SMA-5663-15-DRP-02	.015 (0.5)		
SMA-5674-15-DRP-02	.018 (0.7)		VII	SMA-5664-15-DRP-02	.018 (0.7)		VII
SMA-5872-15-DRP-02	.012 (0.3)	.550 (14.0) Two Hole	VIII	SMA-5862-15-DRP-02	.012 (0.3)	.550 (14.0) Two Hole	VIII
SMA-5873-15-DRP-02	.015 (0.5)			SMA-5863-15-DRP-02	.015 (0.5)		
SMA-5874-15-DRP-02	.018 (0.7)		IX	SMA-5864-15-DRP-02	.018 (0.7)		IX

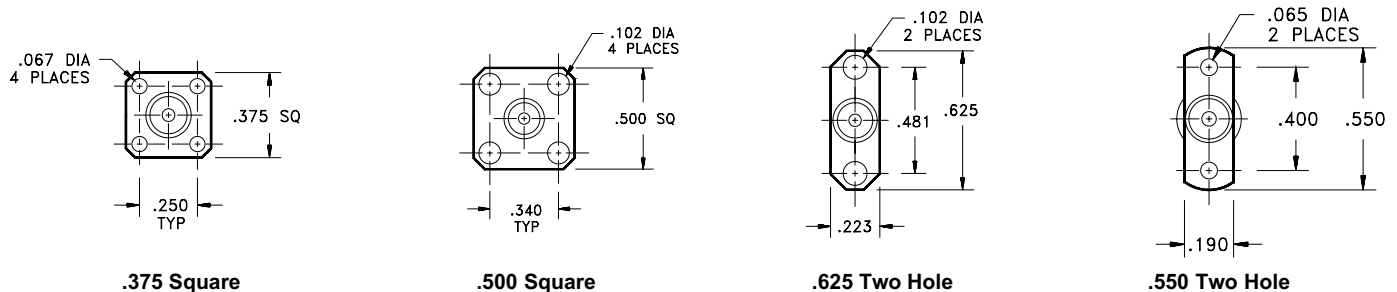
Note: Standard finish is passivated stainless steel, for gold plating change -02 suffix to -00.
Mounting Hole Details II thru XI appear on page 204.

Straight Flange Mount Female Jack Launcher - without EMI/RFI Gasket

Model Number	Seal Pin Dia.	Flange Size	Mounting Hole Detail
SMA-5561-15-DRP-02	.020	.500 Square	X
SMA-5261-15-DRP-02	.020	.625 Two Hole	XI

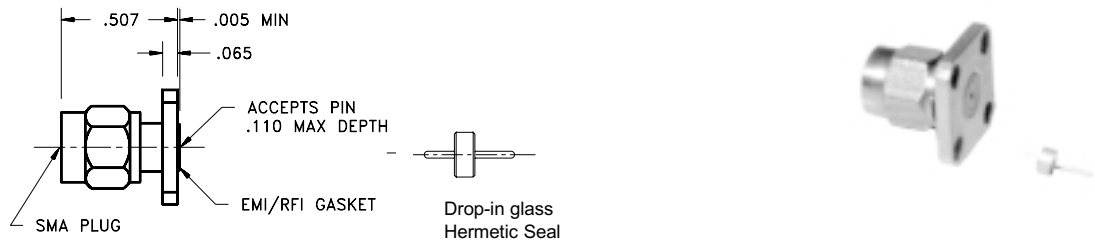


Flange Size Details



Note: Standard finish is passivated stainless steel, for gold plating change -02 suffix to -00.

Straight Flange Mount Male Plug Launcher with EMI/RFI Gasket

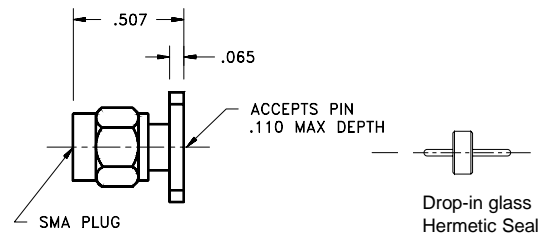


Mechanically Captured Center Contact							
Model Number **Connector and Seal**	Seal Pin Dia. Inches (mm)	Flange Size	Mounting Hole Detail	Model Number ** Connector Only **	Accepts Pin Dia. Inches (mm)	Flange Size	Mounting Hole Detail
SMA-5372-14-DRP-02	.012 (0.3)	.375 (9.5) Square	II	SMA-5362-14-DRP-02	.012 (0.3)	.375 (9.5) Square	II
SMA-5373-14-DRP-02	.015 (0.5)		III	SMA-5363-14-DRP-02	.015 (0.5)		III
SMA-5374-14-DRP-02	.018 (0.7)		IV	SMA-5364-14-DRP-02	.018 (0.7)		IV
SMA-5572-14-DRP-02	.012 (0.3)	.500 (12.7) Square	IV	SMA-5562-14-DRP-02	.012 (0.3)	.500 (12.7) Square	IV
SMA-5573-14-DRP-02	.015 (0.5)		V	SMA-5563-14-DRP-02	.015 (0.5)		V
SMA-5574-14-DRP-02	.018 (0.7)		VI	SMA-5564-14-DRP-02	.018 (0.7)		VI
SMA-5672-14-DRP-02	.012 (0.3)	.625 (15.9) Two Hole	VI	SMA-5662-14-DRP-02	.012 (0.3)	.625 (15.9) Two Hole	VI
SMA-5673-14-DRP-02	.015 (0.5)		VII	SMA-5663-14-DRP-02	.015 (0.5)		VII
SMA-5674-14-DRP-02	.018 (0.7)		VIII	SMA-5664-14-DRP-02	.018 (0.7)		VIII
SMA-5872-14-DRP-02	.012 (0.3)	.550 (14.0) Two Hole	VIII	SMA-5862-14-DRP-02	.012 (0.3)	.550 (14.0) Two Hole	VIII
SMA-5873-14-DRP-02	.015 (0.5)		IX	SMA-5863-14-DRP-02	.015 (0.5)		IX
SMA-5874-14-DRP-02	.018 (0.7)			SMA-5864-14-DRP-02	.018 (0.7)		

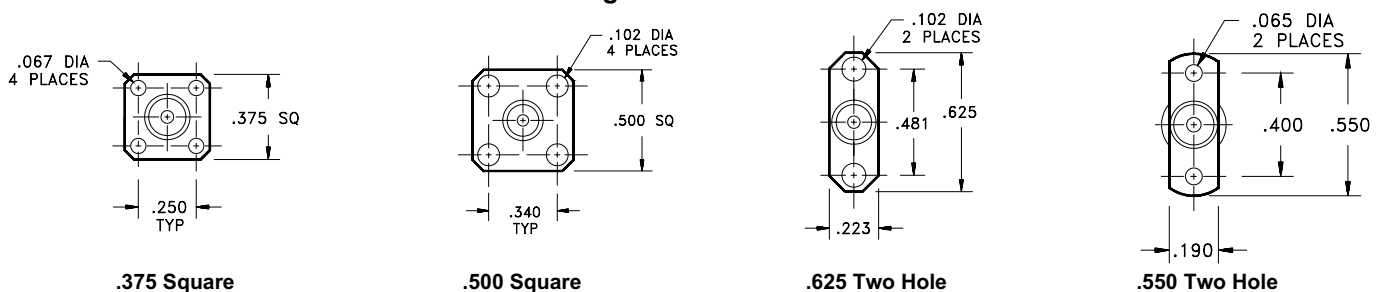
Note: Standard finish is passivated stainless steel, for gold plating change -02 suffix to -00.
Mounting Hole Details II thru XI appear on page 204.

Straight Flange Mount Male Plug Launcher - without EMI/RFI Gasket

Model Number	Seal Pin Dia.	Flange Size	Mounting Hole Detail
SMA-5561-14-DRP-02	.020	.500 Square	X
SMA-5261-14-DRP-02	.020	.625 Two Hole	XI

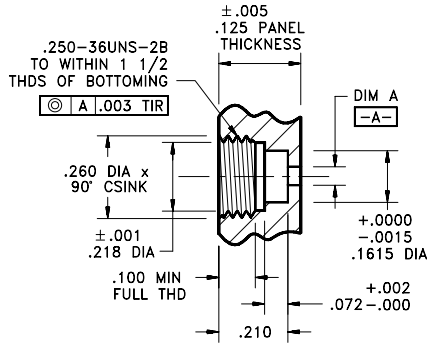


Flange Size Details

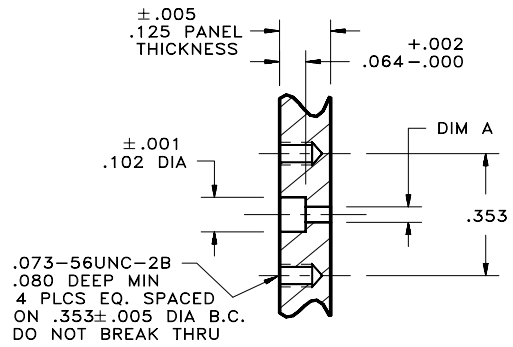


Note: Standard finish is passivated stainless steel, for gold plating change -02 suffix to -00.

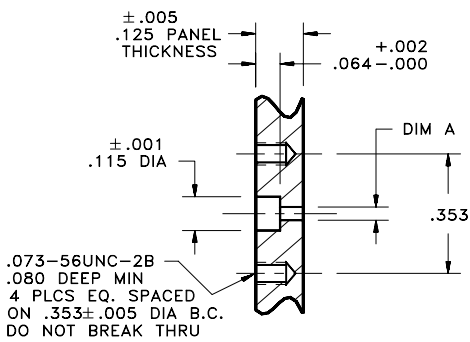
Pin Dia	Dia A
.012	.027
.015	.034
.018	.041
.020	.046



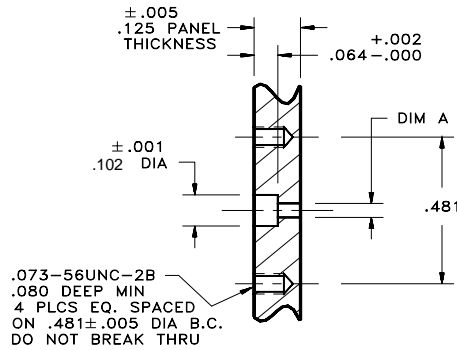
Detail I



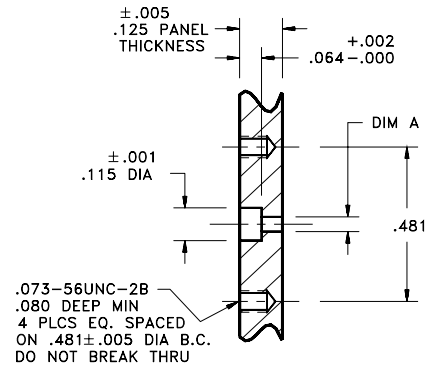
Detail II



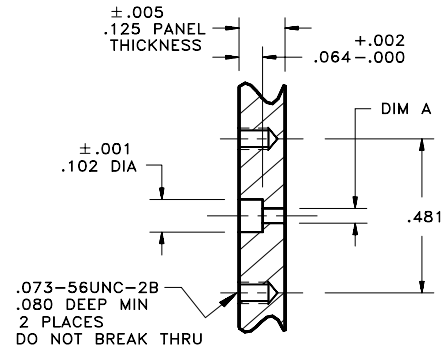
Detail III



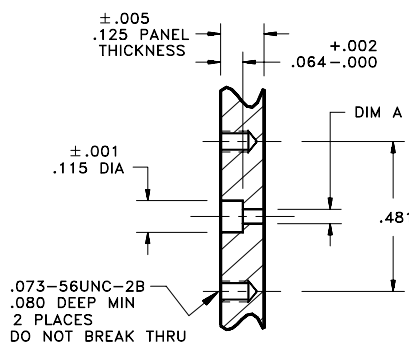
Detail IV



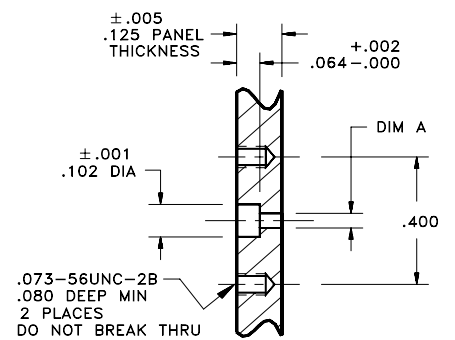
Detail V



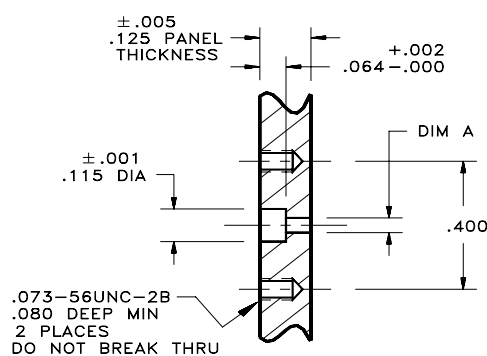
Detail VI



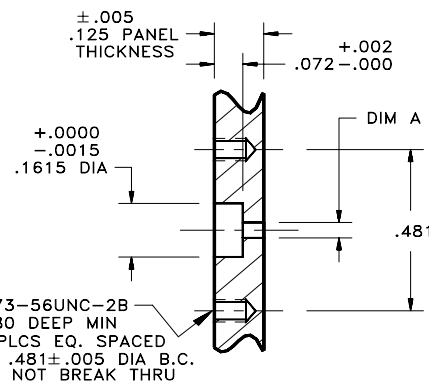
Detail VII



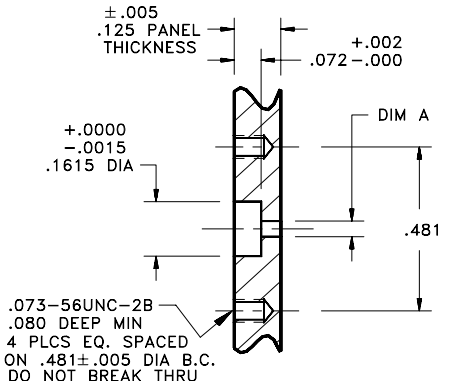
Detail VIII



Detail IX



Detail X



Detail XI