

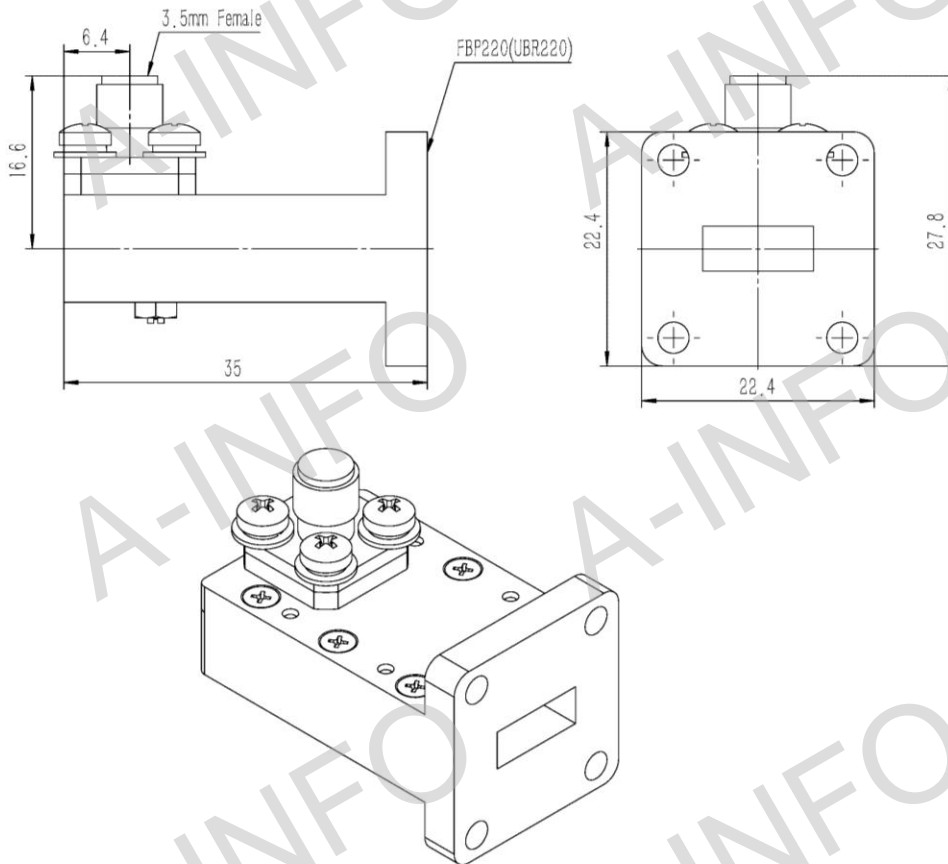
## Technical Specification



EIA WR	WR42
Frequency Range(GHz)	18.0 – 26.5
Insertion Loss(dB)	0.32 Max.
VSWR	1.25:1 Max.
Flange	FBP220(UBR220)
Connector	3.5mm-Female or 3.5mm-Male
Average Power(W CW)	50 Max.
Peak Power(KW)	0.1
Material	Cu
Size(mm)	35 x 22.4 x 27.8
Net Weight(Kg)	0.07 Around

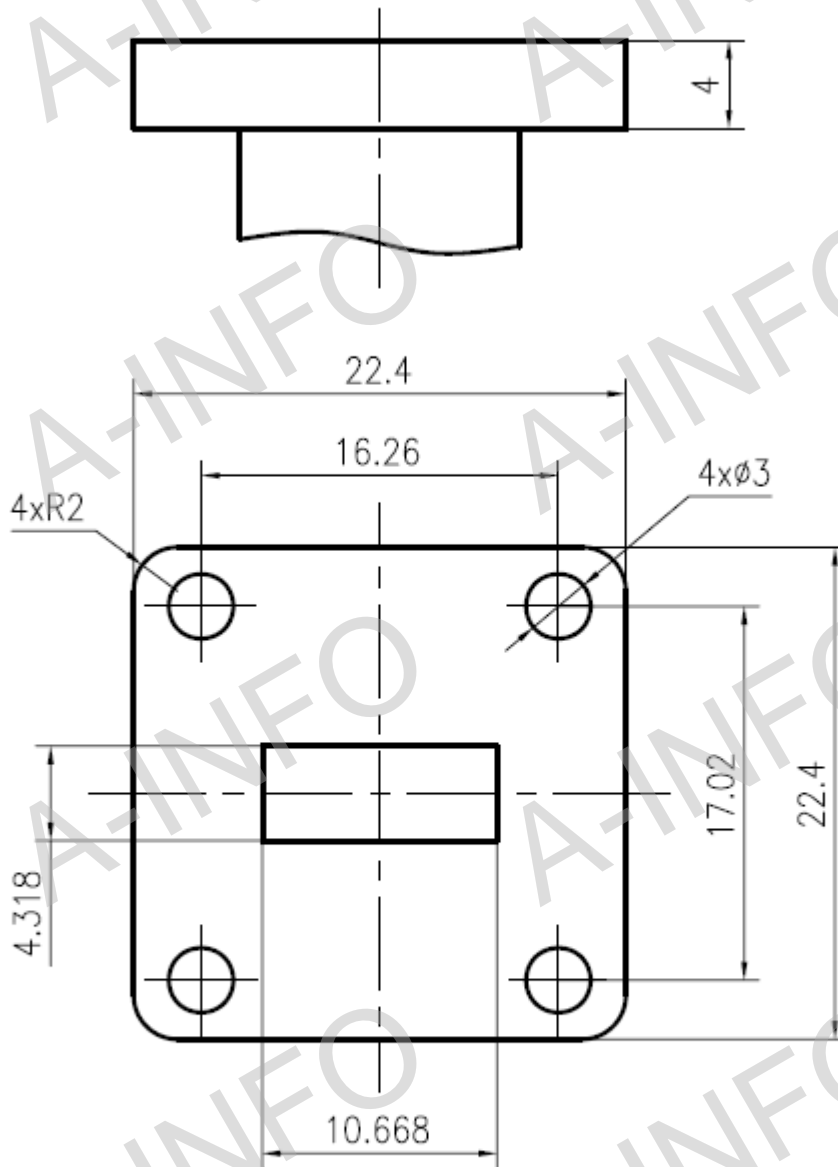
## Outline Drawing (Size: mm)

42WCA3.5\_Cu (With 3.5mm-Female Output)



42WCA3.5M\_Cu (With 3.5mm-Male Output)

## Flange Drawing (Size: mm)



FBP220

AINFO Inc.

Page 3 of 4

China(Beijing):  
China(Chengdu):  
USA:

Tel: (+86) 10-6266-7326,  
Tel: (+86) 28-8519-2786,  
Tel: (+1) 949-639-9688,

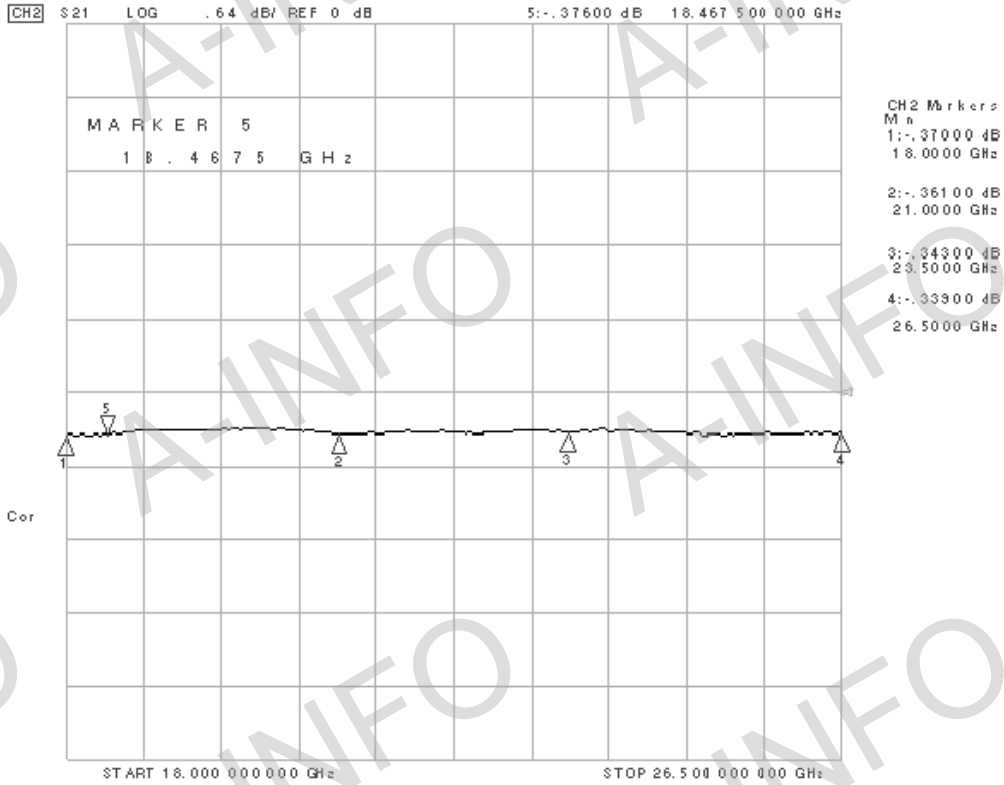
(+86) 10-6266-7327  
(+86) 28-8519-3044  
(+1) 949-639-9608

Fax: (+86) 10-6266-7379  
Fax: (+86) 28-8519-3068  
Fax: (+1) 949-639-9670

Website: [www.ainfoinc.com](http://www.ainfoinc.com)  
Email: [sales@ainfoinc.com](mailto:sales@ainfoinc.com)

## Test Results

I. L. (Test with two adapters back to back)



## VSWR

