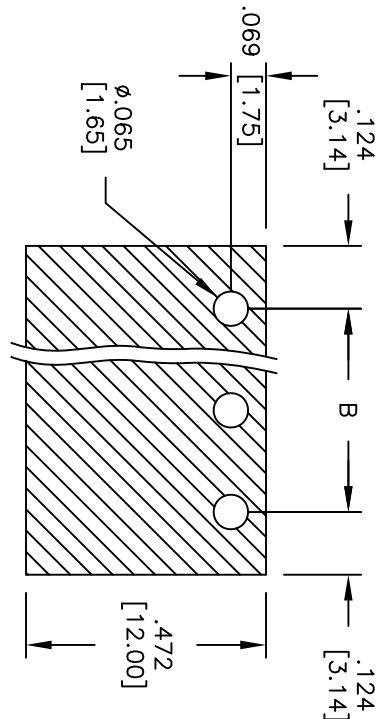
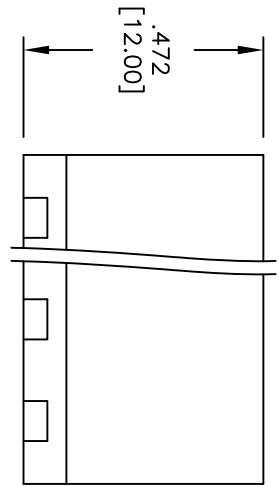
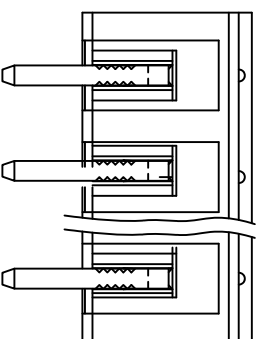
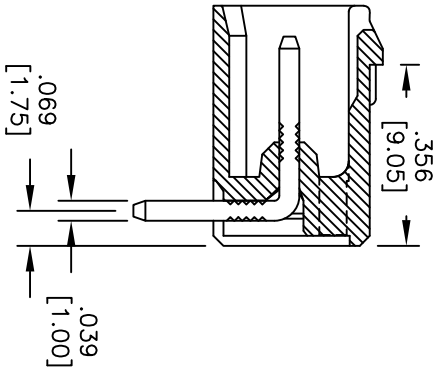
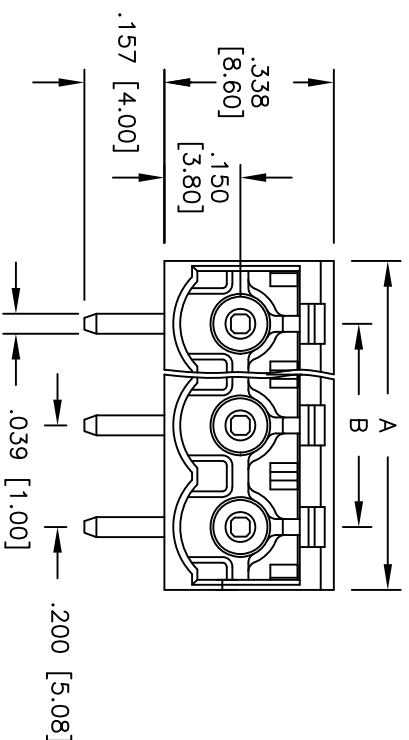


Rev	AWO #	Description	Date	Appr
-		RELEASED	9/09/08	

APPROVED: _____
 DATE: _____ TITLE: _____



Recommended PCB Layout



Positions: 02 thru 25
 A = .200 [5.08] x No. of Positions + .047 [1.20]
 B = .200 [5.08] x No. of Spaces

SPECIFICATIONS:
 Material: Insulator: PA66, rated UL 94V-0
 Insulator color: Green
 Contact: Copper, Tin plated.
 Electrical:
 Operation voltage: 300 VAC max
 Current rating: 15 Amps max per Pole
 Contact resistance: 20 mohms max
 Insulation resistance: 500 Mohms min @ DC500V
 Dielectric withstanding voltage: 2000 VAC for 1 minute
 Environmental:
 Operating temperature: -40°C to +105°C
 Lead free, RoHS compliant.
 Recommended soldering temp: 235°C for 5 sec.



UNLESS OTHERWISE SPECIFIED
 ALL DIMENSIONS ARE MM [INCHES]
 TOLERANCES: EXCEPT AS NOTED

INCHES	HOLES
.X ± .10	ØXX ± .10
.XX ± .020	ØXXX ± .015
.XXX ± .015	ØXXXX ± .010

APPROVALS

DRAWN	DY	DATE	9/09/08
CHECKED			
APPROVED			

ADAM TECH
 909 Rahway Avenue, Union, NJ 07083
 Phone: 908-687-5000 Fax: 908-687-5710

**TERMINAL BLOCK, SOCKETS FOR PLUGGABLE,
 RIGHT ANGLE, .039" [1.00] PITCH**

SIZE	PART NO.	REV.
X	EBQ-XX-D-C	-
REF:	SCALE: NTS	SHEET 1 OF 1

6 5 4 3 2 1