



Wire & Cable > Primary Wire



Primary Wire Cable Type: **Spec 55**

Primary Wire Insulation Material: **Radiation-Crosslinked, Modified ETFE**

Primary Wire Voltage Rating: **600 VAC**

Primary Wire Conductor Material: **Tin Plated Copper**

Operating Temperature Range: **-65 – 200 °C**

Features

Product Type Features

Primary Wire Cable Type	Spec 55
-------------------------	---------

Electrical Characteristics

Primary Wire Voltage Rating	600 VAC
-----------------------------	---------

Body Features

Primary Wire Insulation Material	Radiation-Crosslinked, Modified ETFE
Primary Wire Conductor Material	Tin Plated Copper

Usage Conditions

Operating Temperature Range	-65 – 200 °C
-----------------------------	--------------

Product Compliance

[For compliance documentation, visit the product page on TE.com>](#)

EU RoHS Directive 2011/65/EU	Compliant
EU ELV Directive 2000/53/EC	Compliant
China RoHS 2 Directive MIIT Order No 32, 2016	No Restricted Materials Above Threshold
EU REACH Regulation (EC) No. 1907/2006	Current ECHA Candidate List: JUN 2020 (209) Candidate List Declared Against: JAN 2019 (197) Does not contain REACH SVHC

Halogen Content

Out of Scope - excluded from Halogen requirements

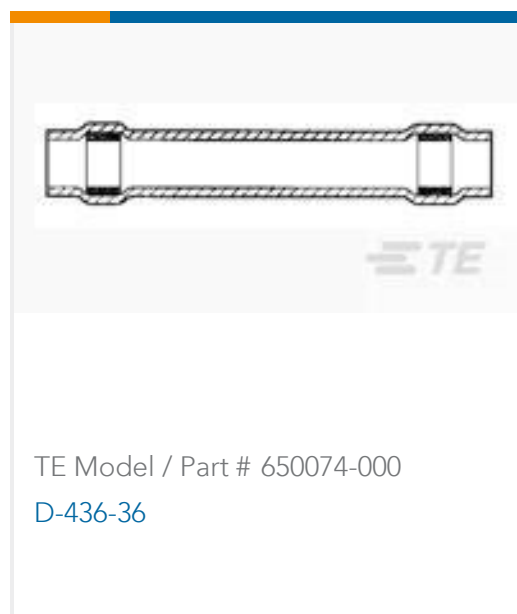
Solder Process Capability

Not applicable for solder process capability

Product Compliance Disclaimer

This information is provided based on reasonable inquiry of our suppliers and represents our current actual knowledge based on the information they provided. This information is subject to change. The part numbers that TE has identified as EU RoHS compliant have a maximum concentration of 0.1% by weight in homogenous materials for lead, hexavalent chromium, mercury, PBB, PBDE, DBP, BBP, DEHP, DIBP, and 0.01% for cadmium, or qualify for an exemption to these limits as defined in the Annexes of Directive 2011/65/EU (RoHS2). Finished electrical and electronic equipment products will be CE marked as required by Directive 2011/65/EU. Components may not be CE marked. Additionally, the part numbers that TE has identified as EU ELV compliant have a maximum concentration of 0.1% by weight in homogenous materials for lead, hexavalent chromium, and mercury, and 0.01% for cadmium, or qualify for an exemption to these limits as defined in the Annexes of Directive 2000/53/EC (ELV). Regarding the REACH Regulation, the information TE provides on SVHC in articles for this part number is based on the latest European Chemicals Agency (ECHA) 'Guidance on requirements for substances in articles' posted at this URL: <https://echa.europa.eu/guidance-documents/guidance-on-reach>

Compatible Parts



Customers Also Bought



Documents

Product Drawings

55A1811-24-9-9

English

Datasheets & Catalog Pages

1654025_Sec9_SPEC55

English

Raychem Wire and Cable Quick Reference Guide



English

Product Specifications

Product Specification

English