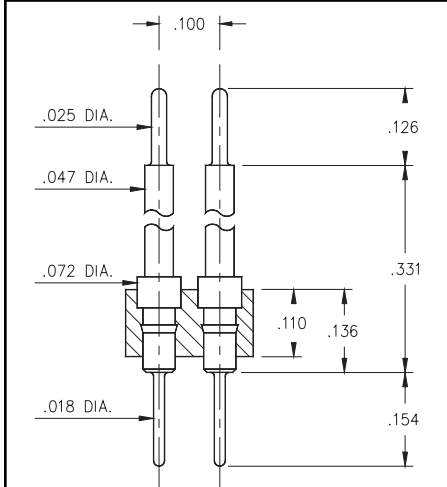
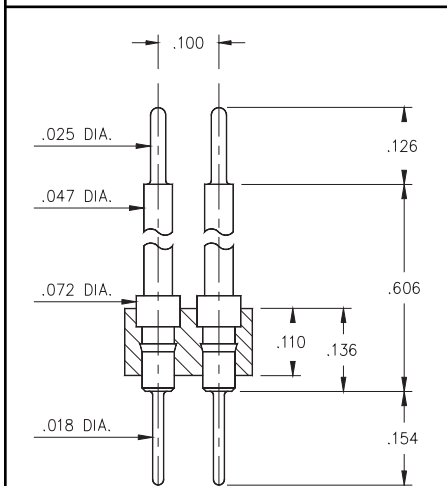


**Fig. 1**



**Fig. 2**



**Fig. 3**

- Series 451 Interconnect Header Strips come in three lengths with .018" dia. pluggable solder tails at one end and .025" dia. pins at the other. (M-M# 5503, 5504 or 5505 see page 172 for details).
- .018" pluggable solder tails are available at both ends, please see series:
  - 451...009
  - 451...010
  - 451...011
 (using M-M# 5509, 5510, 5511 pins respectively. See pages 170 & 172 for details).



### Ordering Information

<b>Fig. 1</b>	<b>Series 451...003</b> <b>.018 / .025 Solder Tails</b>
	451-XX-2_ _-00-003000 Specify # of pins      ↳      02-64
<b>Fig. 2</b>	<b>Series 451...009</b> <b>.018 / .018 Solder Tails</b>
	451-XX-2_ _-00-009000 Specify # of pins      ↳      02-64
<b>Fig. 3</b>	<b>Series 451...004</b> <b>.018 / .025 Solder Tails</b>
	451-XX-2_ _-00-004000 Specify # of pins      ↳      02-64
<b>Fig. 3</b>	<b>Series 451...010</b> <b>.018 / .018 Solder Tails</b>
	451-XX-2_ _-00-010000 Specify # of pins      ↳      02-64
<b>Fig. 3</b>	<b>Series 451...005</b> <b>.018 / .025 Solder Tails</b>
	451-XX-2_ _-00-005000 Specify # of pins      ↳      02-64
<b>Fig. 3</b>	<b>Series 451...011</b> <b>.018 / .018 Solder Tails</b>
	451-XX-2_ _-00-011000 Specify # of pins      ↳      02-64

**XX=Plating Code**  
See Below

For RoHS compliance, select **◇** plating code.  
For the gold option (XX=10) also change part number from 451-XX-2XX-00-0XX000 to 451-10-2XX-00-0XX100



SPECIFY PLATING CODE XX=	<b>10</b> ◇	<b>90</b>	<b>40</b> ◇	
Pin Plating	10μ" Au	200μ" Sn/Pb	200μ" Sn	