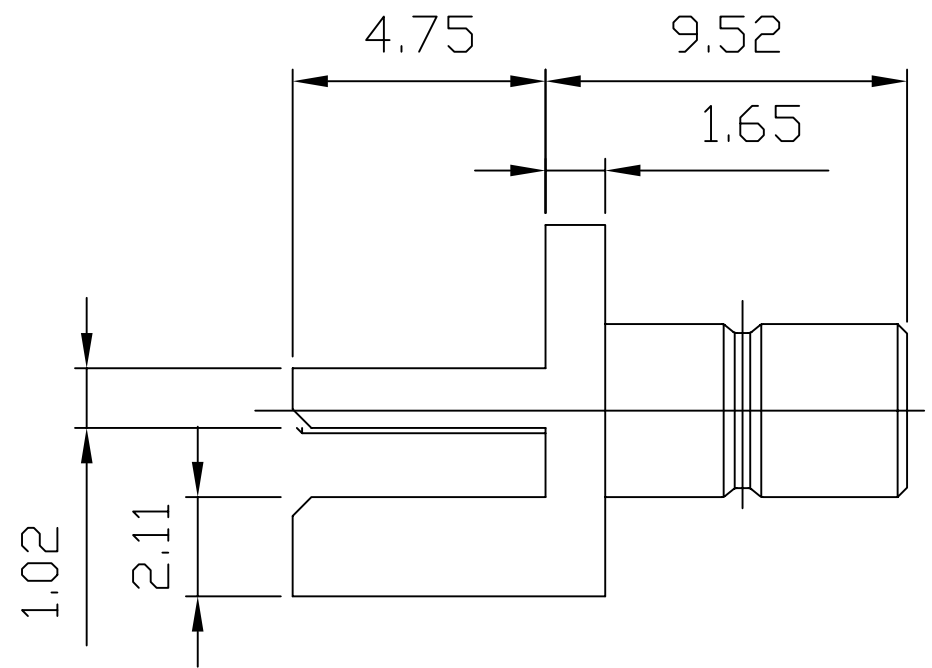
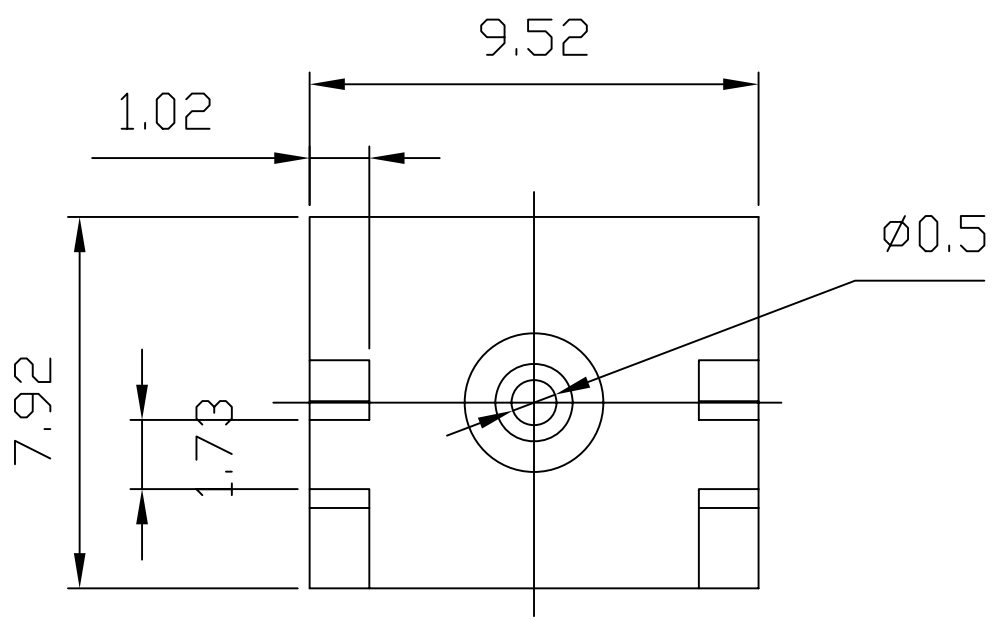


1 2 3 4 5 6 7 8 9 0

J  
I  
H  
G  
F  
E  
D  
C  
B  
A



SMB-JE17G-50-LF  
 G: GOLD  
 N: NICKEL  
 LEADFREE

RoHS Compliant

NO	DESCRIPTION	MATERIAL	FINISH	QTY
3	DIELECTRIC	TEFLON	NONE	1
2	PIN	BRASS	GOLD	1
1	BODY	BRASS	NICKEL	1



PART NO. SMB-JE17-50

DWG NO. SMB-JE17-50

CHECKED BY CY

FILE NO.

DRAWING BY

UNLESS OTHERWISE SPECIFIED TOLERANCES  
 0.5-5 =±0.2  
 5-30 =±0.4  
 30-120 =±0.6  
 120-315 =±1  
 315-1000 =±1.6  
 1000-2000 =±2.4

DESCRIPTION: SMB CONNECTOR

煜倫股份有限公司

UNIT / mm

SCALE 1:1

PROJECTION

AREA

REVISIONS

HK

DATE