

# Key Switches



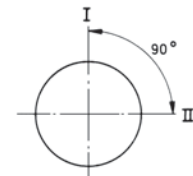
## Specifications:

Contact rating:	max. 20 V DC, 0,4 W
Contact resistance:	< 200 mΩ
Insulation resistance:	> 100 MΩ at 100 V DC
Dielectric strength:	250 V, 50 Hz for the duration of 1 minute
Operating temperature:	-25 °C to +70 °C
Mechanical life:	minimum 10 000 operations
Contacts:	gold-plated
Terminals:	PC terminals, brass, silver-plated
Material:	case: PBT, black key: brass, nickel-plated; grip: plastic
Mounting:	on pc-board
Soldering conditions:	auto-soldering – max.: 3 sec, 245 °C ±10 °C

Models:	Switching functions	Key positions		
		I	II	III
SPDT				
		O = Key removable X = Key not removable		

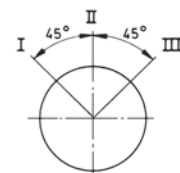
### Step angle 90°

MRK 1012 A	on	-	on	O	O
MRK 1012 B	on	-	on	O	X
MRK 1022 B	on	-	mom	O	X
MRK 1012 A - R	on	-	on	O	O
MRK 1012 B - R	on	-	on	O	X
MRK 1022 B - R	on	-	mom	O	X



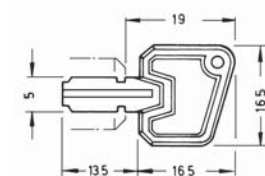
### Step angle 45°

MRK 1031 D	on	on	on	O	O	O
MRK 1031 L	on	on	on	X	O	X
MRK 1041 L	mom	on	mom	X	O	X
MRK 1031 D - R	on	on	on	O	O	O
MRK 1031 L - R	on	on	on	X	O	X
MRK 1041 L - R	mom	on	mom	X	O	X



13

2-pole switches and further key positions on request.



Switches are always supplied with 2 keys.



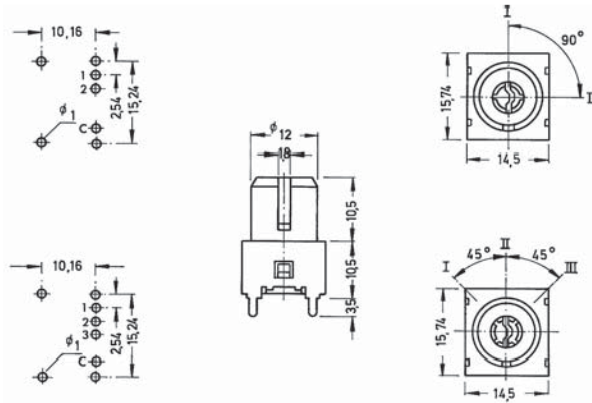
# Key Switches

## Models:

### SPDT

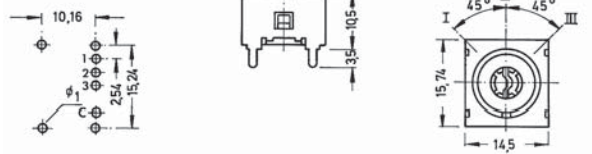
#### Step angle 90°

- MRK 1012 A
- MRK 1012 B
- MRK 1022 B



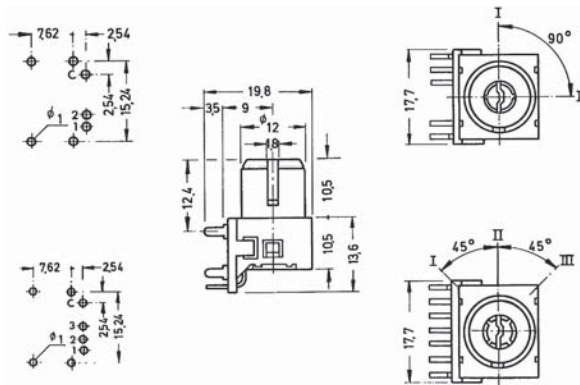
#### Step angle 45°

- MRK 1031 D
- MRK 1031 L
- MRK 1041 L



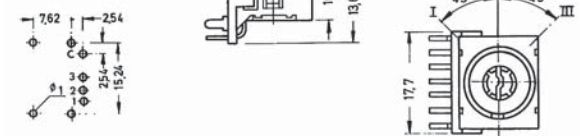
#### Step angle 90°

- MRK 1012 A - R
- MRK 1012 B - R
- MRK 1022 B - R



#### Step angle 45°

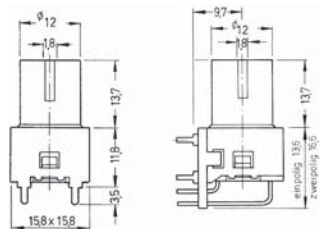
- MRK 1031 D - R
- MRK 1031 L - R
- MRK 1041 L - R



### Special versions:\*

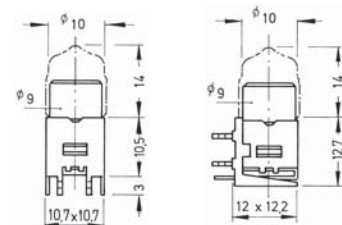
Key switch with security casing:

Type:  
MRKC



Key switch with plastic case and plastic key

Type:  
MRKS



\*Minimum quantity and delivery time on request