

DASH NO	CABLES ACCOMMODATED	A DIM	B DIM	C FLATS	D FLATS	E DIA	ASSEMBLE PER
-7	TRC-50-2 TRC-75-2	1.135	.096	.438	.438	.500	TAI-189
-8	8227, BELDEN	1.716	.130	.625	.688	.750	TAI-103
-9	TWC-78-2 TWC-124-2	1.135	.096	.438	.438	.500	TAI-102
-A9	BL782, TIMES BL982, TIMES BL1242, TIMES	1.135	.096	.438	.438	.500	TAI-102
-10	RG-22 754E, AT&T	1.716	.130	.625	.688	.750	TAI-103
-11	760A, AT&T	1.716	.130	.625	.688	.750	TAI-103
-12	16PEVL, AT&T V1-AL, GENERAL	1.716	.130	.625	.688	.750	TAI-128
-13	TRF-59, TIMES	1.716	.130	.625	.688	.750	TAI-129
-13A	8232, BELDEN	1.716	.130	.625	.688	.750	TAI-165
-14	8233, BELDEN	1.716	.130	.625	.688	.750	TAI-129
-23	250-3884, MICRODOT	1.716	.130	.625	.688	.750	TAI-189
-24	202-3934, MICRODOT	1.716	.130	.625	.688	.750	TAI-102
-24A	9530A5117, RAYCHEM	1.716	.130	.625	.688	.750	TAI-189
-25	T-43M, GENERAL	1.716	.130	.625	.688	.750	TAI-102
-25A	5021H5331, RAYCHEM	1.716	.130	.625	.688	.750	TAI-189
-26	7028A5518, RAYCHEM	1.716	.130	.625	.688	.750	TAI-189
-27	T19TPS12619EN, WOVEN 202-3927, MICRODOT 202-3942, MICRODOT	1.135	.096	.438	.438	.500	TAI-102
-29	TWC-78-1/TWC-124-1A	1.135	.096	.438	.438	.500	TAI-102
-30	761A, AT&T 8441, BELDEN	1.716	.130	.625	.688	.750	TAI-102
-32	TRC-50-1	1.135	.096	.438	.438	.500	TAI-189
-33	TRC-75-1	1.135	.096	.438	.438	.500	TAI-189
-42	21-204, ESSEX 4463, CONSOLIDATED	1.135	.096	.438	.438	.500	TAI-189
-43	250-4044/250-4045 293-3930, MICRODOT	1.135	.096	.438	.438	.500	TAI-102
-45	M27500-22T2T14 1100-66F, STANDARD	1.135	.096	.438	.438	.500	TAI-102
-46	9860, BELDEN	1.716	.130	.625	.688	.750	TAI-103
-47	M17176-00002	1.135	.096	.438	.438	.500	TAI-102
-49	TWAC-78-1F2	1.716	.130	.625	.688	.750	TAI-103
-54	89207, BELDEN	1.716	.130	.625	.688	.750	TAI-102
-55	89272, BELDEN	1.716	.130	.625	.688	.750	TAI-102
-56	GC875GCI, GRUMMAN	1.135	.096	.438	.438	.500	TAI-189
-57	GC875GBI, GRUMMAN	1.135	.096	.438	.438	.500	TAI-189
-58	GC875TM24H, GRUMMAN	1.135	.096	.438	.438	.500	TAI-102
-59	GC875LNI, GRUMMAN	1.135	.096	.438	.438	.500	TAI-102
-60	M17177, THERMATICS 380-10045, BOEING	1.135	.096	.438	.438	.500	TAI-189
-64	7528A5314, RAYCHEM	1.135	.096	.438	.438	.500	TAI-189

MILITARY PART NO (PIN)	MILITARY CABLE PART NO	TROMPETER PART NO (REF ONLY)
M49142/03-0001	M17/134-00001	M310-0002-7
M49142/03-0101	M17/134-00001	M310-0002Y-7
M49142/03-0201	M17/134-00001	M310-0002S-7
M49142/03-0002	M17/134-00002	M310-0002-7
M49142/03-0102	M17/134-00002	M310-0002Y-7
M49142/03-0202	M17/134-00002	M310-0002S-7
M49142/03-0007	M17/45-RG308	M310-0002-9
M49142/03-0107	M17/45-RG308	M310-0002Y-9
M49142/03-0207	M17/45-RG308	M310-0002S-9
M49142/03-0008	M17/176-00002	M310-0002-47
M49142/03-0108	M17/176-00002	M310-0002Y-47
M49142/03-0208	M17/176-00002	M310-0002S-47
M49142/03-0009	M17/177-00002	M310-0002-60
M49142/03-0109	M17/177-00002	M310-0002Y-60
M49142/03-0209	M17/177-00002	M310-0002S-60

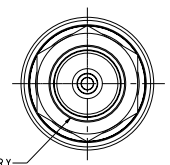
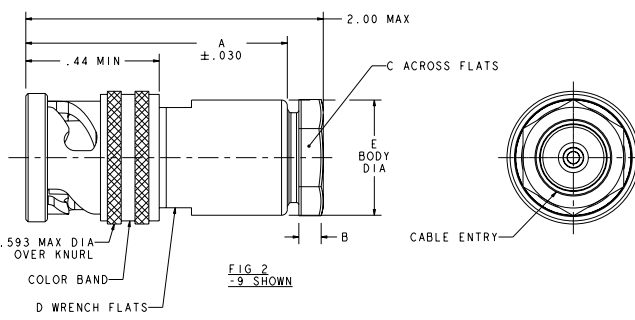
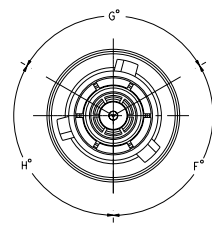
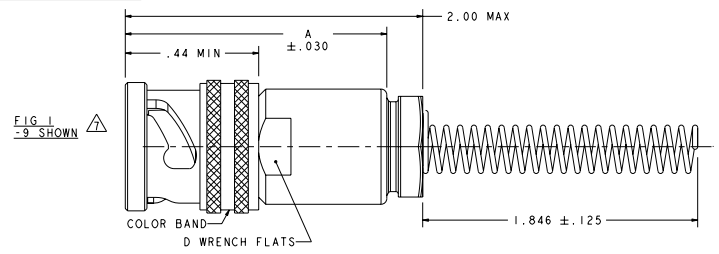
KEYING LETTER	F DEGREES	G DEGREES	H DEGREES	COLOR BAND
NONE	120°	120°	120°	NONE
T	100°	150°	110°	RED
U	120°	130°	110°	ORANGE
V	115°	130°	115°	YELLOW
W	125°	110°	125°	GREEN
X	130°	100°	130°	BLUE
Y	110°	140°	110°	VIOLET
Z	100°	160°	100°	GRAY
S	135°	135°	90°	WHITE

DATA CONTAINED IN THIS DOCUMENT IS PROPRIETARY TO TROMPETER ELECTRONICS, INC. AND SHALL NOT BE DISCLOSED, COPIED OR REPRODUCED IN ANY MANNER WITHOUT THE EXPRESS WRITTEN PERMISSION OF TROMPETER ELECTRONICS, INC.

REV	ECO NO.	DESCRIPTION	APPROVED	DATE
BN	12354	ADDED BACK IN COLUMN 103 CLAMP NUT 8-1580; SEE ECO	J S	

DASH NO	ENTRY DIA	DASH NO	ENTRY DIA
-7	.274	-30	.235
-8	.345	-32	.191
-9	.285	-33	.217
-10	.455	-42	.300
-11	.345	-43	.200
-12	.485	-45	.183
-13	.362	-46	.475
-13A	.352	-47	.164
-14	.510	-49	.132
-23	.183	-54	.323
-24	.191	-55	.250
-24A	.200	-56	.191
-25	.285	-57	.191
-26	.183	-58	.198
-27	.145	-60	.217
-29	.191	-64	.183

INCH	MM	INCH	MM
.005	0.13	.323	8.20
.030	0.76	.345	8.76
.096	2.44	.352	8.94
.125	3.18	.362	9.19
.130	3.30	.438	11.13
.132	3.35	.440	11.18
.145	3.68	.455	11.56
.164	4.17	.475	12.07
.183	4.65	.485	12.32
.191	4.85	.500	12.70
.198	5.03	.510	12.95
.200	5.08	.593	15.06
.217	5.51	.625	15.88
.235	5.97	.688	17.48
.250	6.35	.750	19.05
.274	6.96	1.135	28.83
.285	7.24	1.716	43.59
.300	7.62	1.846	46.89
		2.00	50.80



MODEL NO	DASH NO/CABLE GROUP																
PL 75 (TWIAX)	-8	-9	-A9	-10	-11	-12	-24	-25	-27	-29	-30	-45	-46	-47	-49	-54	-55
PL 75 (TRIAx)	-7	-13	-13A	-14	-23	-24A	-25A	-26	-32	-33	-42	-43	-56	-57	-59	-60	-64
PL 75 (QUADRAx)	-58																

6. EXAMPLE OF COMPLETE MODEL NO:  
 PL75 T-47  
 BASIC MODEL NO. (CABLE GROUP, TABLE 1)  
 POLARIZATION LETTER (NONE REQD FOR STD POLARIZATION (SEE TABLE 3))

5. EXAMPLE OF COMPLETE PART NO:  
 310-0002 T-47  
 BASIC MODEL NO. (CABLE GROUP, TABLE 1)  
 POLARIZATION LETTER (NONE REQD FOR STD POLARIZATION (SEE TABLE 3))

- ⚠ WHEN CONNECTOR IS SUPPLIED TO MILITARY PART NO. (SEE TABLE 2):
  - a) ALL PARTS NORMALLY PLATED TFS-1A OR TFS-1U (NICKEL) ARE TO BE PLATED TFS-1M (SILVER)
  - b) MARK PART WITH MILITARY PIN (SEE TABLE 2) AND "14949"
  - c) QUALITY CONFORMANCE INSPECTION SHALL BE PER MIL-C-49142 SECTION 4.5
- ⚠ IF BEND RELIEF SPRING REQD (SEE FIG 1) ADD SUFFIX "BR" TO MODEL NO. (NOT AVAILABLE WITH CABLE GROUPS -8, -10, -11, -12, -13, -13A, -14, -46, & -54)

- ⚠ CLAMP NUT OMITTED
- 3. CONCENTRIC TWINAX/TRIAx 3-LUG TRB CABLE PLUG
- 2. FINISH: TFS-1A (NICKEL) ⚠
- 1. ALL DIM ARE IN INCHES

QTY	DESCRIPTION	PART NUMBER	ITEM
TOL UNLESS SPECIFIED			
SEE 8			
SEE 9			
SEE 10			
SEE 11			
SEE 12			
SEE 13			
SEE 14			
SEE 15			
SEE 16			
SEE 17			
SEE 18			
SEE 19			
SEE 20			
SEE 21			
SEE 22			
SEE 23			
SEE 24			
SEE 25			
SEE 26			
SEE 27			
SEE 28			
SEE 29			
SEE 30			
SEE 31			
SEE 32			
SEE 33			
SEE 34			
SEE 35			
SEE 36			
SEE 37			
SEE 38			
SEE 39			
SEE 40			
SEE 41			
SEE 42			
SEE 43			
SEE 44			
SEE 45			
SEE 46			
SEE 47			
SEE 48			
SEE 49			
SEE 50			
SEE 51			
SEE 52			
SEE 53			
SEE 54			
SEE 55			
SEE 56			
SEE 57			
SEE 58			
SEE 59			
SEE 60			
SEE 61			
SEE 62			
SEE 63			
SEE 64			
SEE 65			
SEE 66			
SEE 67			
SEE 68			
SEE 69			
SEE 70			
SEE 71			
SEE 72			
SEE 73			
SEE 74			
SEE 75			
SEE 76			
SEE 77			
SEE 78			
SEE 79			
SEE 80			
SEE 81			
SEE 82			
SEE 83			
SEE 84			
SEE 85			
SEE 86			
SEE 87			
SEE 88			
SEE 89			
SEE 90			
SEE 91			
SEE 92			
SEE 93			
SEE 94			
SEE 95			
SEE 96			
SEE 97			
SEE 98			
SEE 99			
SEE 100			

TROMPETER ELECTRONICS, INC.  
 PL75/T/U/V/W/X/Y/Z/S/BR  
 CODE IDENT 14949  
 DRAWING NO. 310-0002  
 DATE 1/12/66 SHEET 1C