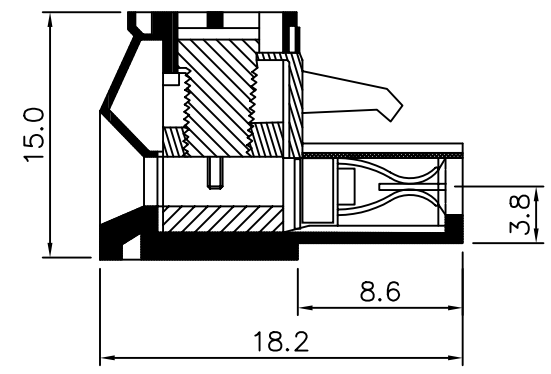
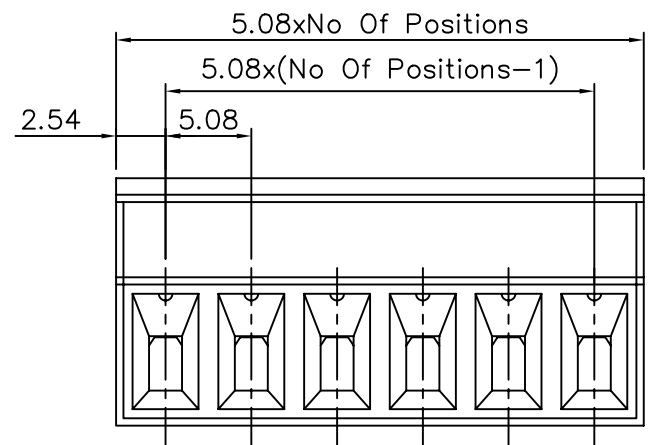
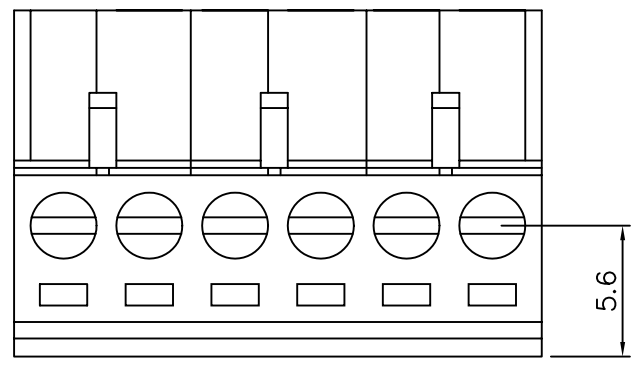


**SPECIFICATIONS**

Current Rating : 15 AMP  
 Voltage Rating : 250V AC  
 Dielectric Withstanding Voltage :  
     AC 1500V Min. For One Minute  
     Test Time=60 Sec/1Pcs  
 Insulation Resistance : 5000Megohms /1000V  
 Contact Resistance: 20 Milliohms Max.  
 Wire Range: 14-22AWG  
 Torque: 4kgf.cm/M3  
 Operating Temperature : -33°C To +120°C  
 Insulator Body(Housing ): Polyamide(Glass Filled)UL94V-0.  
 Contact (Metal Housing): Brass Machined.(Option)  
 Terminal Screw: Steel Galvanized And Chromitized  
 Or Nickel Plated Or Tin Plated (Standard)(Option)  
 Wire Guard:PhBz,Tin Plated



**AUK** A NUMBER OF AUK GROUP  
**太聯事業股份有限公司**  
 AUK CONTRACTORS CO., LTD.

DRAWING No.  
 TB5109SW

APPROVED BY MEI  
 CHECKED BY RAN  
 DRAWING BY HZF

UNLESS OTHERWISE SPECIFIED TOLERANCES ARE  
 .X ±0.25  
 .XX ±0.15  
 .XXX

SCALE	NONE	REV.	A	UNIT	mm	AREA	REVISIONS	CHK	DATE
-------	------	------	---	------	----	------	-----------	-----	------