

ADAPTERS, BETWEEN SERIES

2.9mm / 3.5mm, DC - 34 GHz

SPECIFICATIONS:

Models: 5266, 5267, 5268, 5269

RoHS
Compliant



Electrical:

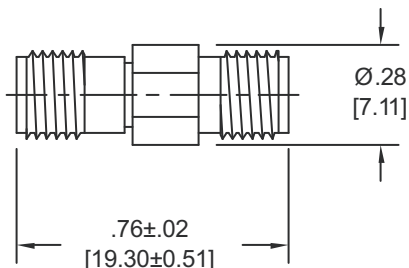
Frequency Range _____ DC - 34 GHz
 VSWR _____ 1.25:1 Max.
 Impedance _____ 50 Ohms
 Operating Temp. Range _____ -65°C to +85°C

Mechanical:

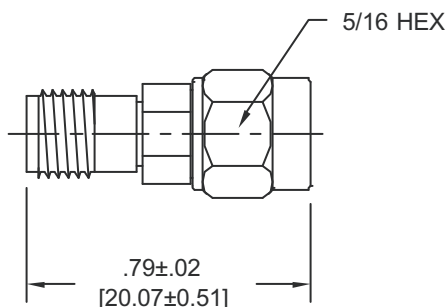
3.5mm Connectors _____ Passivated Stainless Steel
 Mates both Mechanically and Electrically with
 SMA, 2.9mm and K* Series Connectors
 2.9mm Connectors _____ Passivated Stainless Steel
 Mates both Mechanically and Electrically with
 SMA, 3.5mm and K* Series Connectors
 Conductors _____ Gold Plated Beryllium Copper

* K is a Trademark of Anritsu Corp.

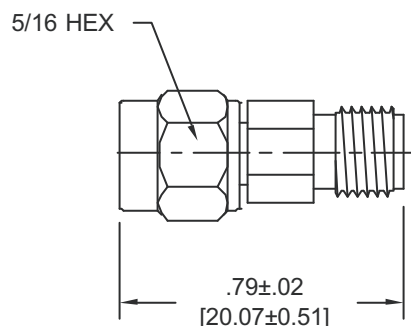
Model Number: **5266**
 2.9mm FEMALE / 3.5mm FEMALE



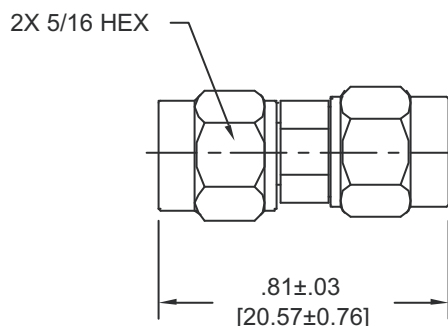
Model Number: **5267**
 2.9mm FEMALE / 3.5mm MALE



Model Number: **5268**
 2.9mm MALE / 3.5mm FEMALE



Model Number: **5269**
 2.9mm MALE / 3.5mm MALE



Note: Dimensions in Brackets are Expressed in Millimeters and are for Reference Only.
 Units that offer very low return loss (VSWR) are also available.

5269: REV -



Aeroflex / Inmet, Inc. • 300 Dino Drive, Ann Arbor, MI 48103 • U.S.A.
 888-244-6638 or 734-426-5553 • FAX: 734-426-5557
 www.aeroflex.com/inmet • inmet@aeroflex.com