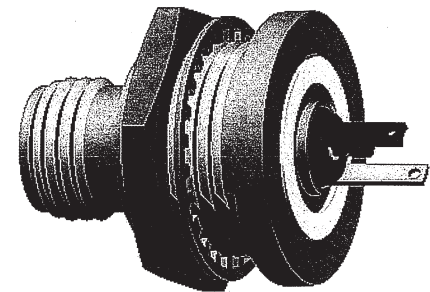


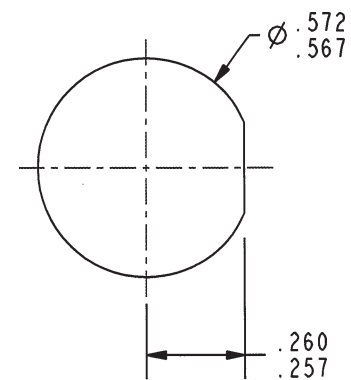
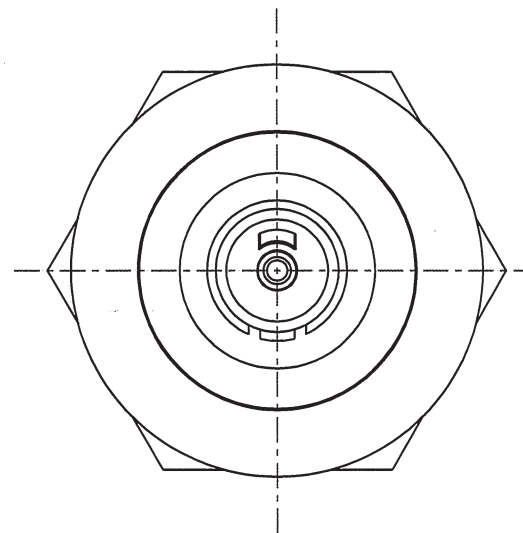
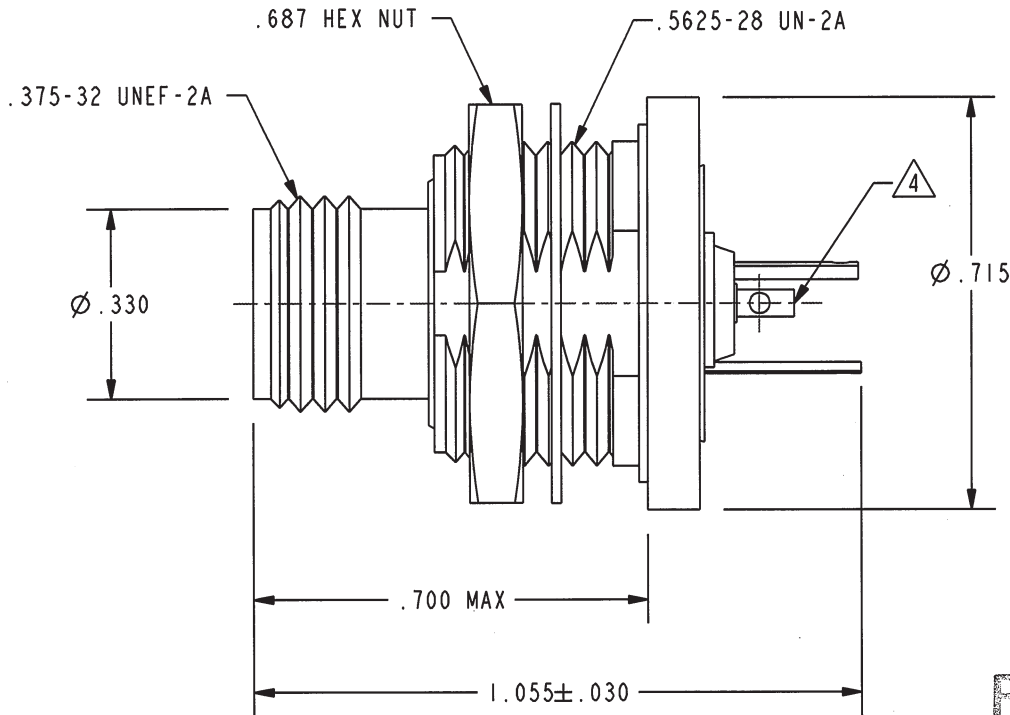
DATA CONTAINED IN THIS DOCUMENT IS PROPRIETARY TO TROMPETER ELECTRONICS INC. AND SHALL NOT BE DISCLOSED, COPIED OR USED FOR PROCUREMENT OR MANUFACTURE WITHOUT EXPRESS WRITTEN PERMISSION.

REVISIONS

| REV | DESCRIPTIONS | DATE | APPROVED |
|-----|-------------------------|---------|----------|
| E | REVISED PER ECO # 16841 | 2/12/09 | WMCX |



SCALE 2/1



RED INDICATES ORIGINAL

RECOMMENDED
PANEL CUTOUT
SCALE 2/1

△ SOLDER POT ACCEPTS Ø .026 MAXIMUM CONDUCTOR

3. MAXIMUM PANEL THICKNESS .148
2. FINISH: TFS-1A (NICKEL)
1. FEMALE THREADED CONCENTRIC TWINAX/TRIAX INSULATED SUBMINIATURE REAR MOUNTING BULKHEAD SOLDER POT RECEPTACLE (TRS SERIES)

NOTES: UNLESS OTHERWISE SPECIFIED.

| | | | | | |
|--|----------|--|-----------------------|--------------|--------------------|
| INTERPRET DRAWING PER MIL-STD-100. DIMENSIONS ARE IN INCHES AND INCLUDE FINISH THICKNESS UNLESS OTHERWISE SPECIFIED. | | TOL: UNLESS SPECIFIED. .XX ± .02 .XXX ± .010 ANGLE ± 1° | | | |
| DRW J. CARPENTER | 01-14-09 | MATERIAL: | TITLE: | | |
| CHK Am | 2-6-09 | QUALITY | | BJ3155 | |
| MANUF | | FINISH: | | | |
| APPROVED Am | 2-6-09 | PROTE FILE NO. 3-0114 | DO NOT SCALE DWG | SIZE A | CAGE CODE 14949 |
| NEXT ASSY | | DATE 12-4-85 | DRAWING NO. 3-0114 | SCALE 2/1 | REV. E |
| | | SHEET 1C | | | |