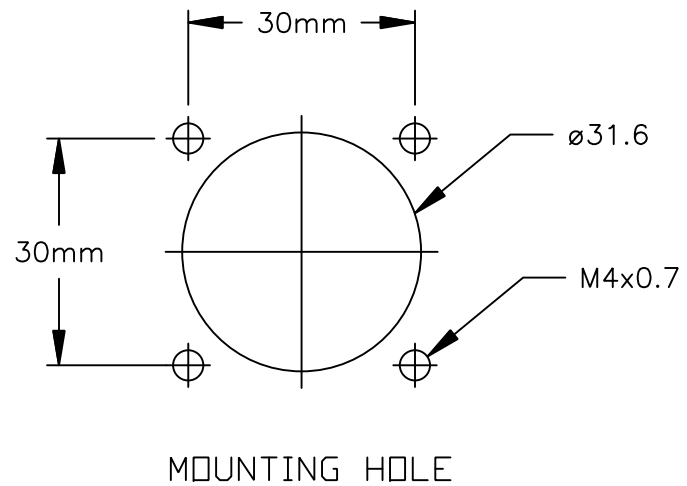
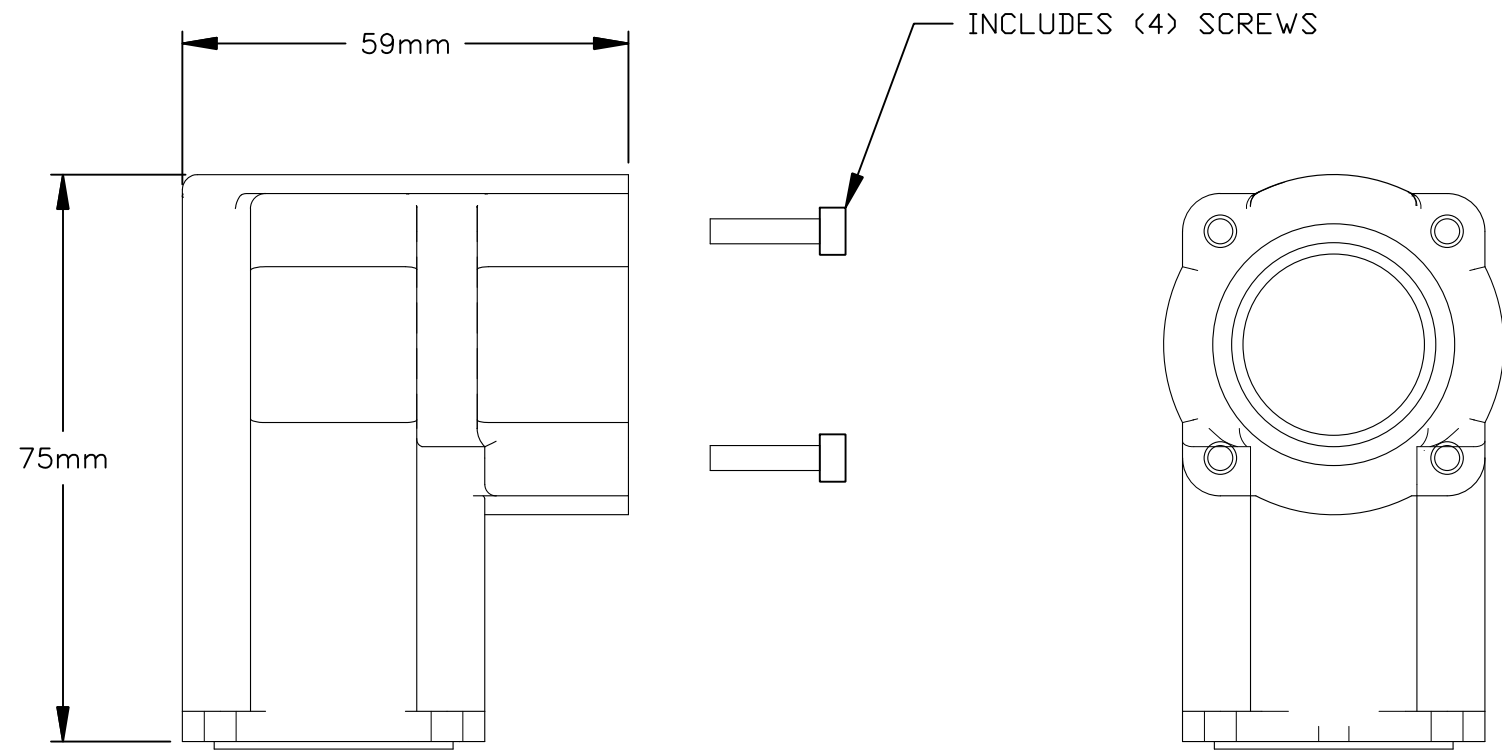


REVISIONS					
REV	ECD	DESCRIPTION	DATE	BY	APPR
01	-	CUSTOMER DRAWING	-	-	-



- NOTES: UNLESS OTHERWISE SPECIFIED
- MATERIAL:
HOUSING BODY: ZINC DIE CAST, NICKEL PLATED
SEAL: VITON
 - SPECIFICATIONS:
2.1 RoHS COMPLIANT
 - ALL DIMENSIONS ARE FOR REFERENCE ONLY.

QUANTITY	PART NUMBER	DESCRIPTION	ITEM								
MATERIALS LIST											
UNLESS OTHERWISE SPECIFIED 1) All dimensions are in metric(mm). 2) Tolerances are as follows: 1 PL DEC ±0.30 2 PL DEC ±0.15 3 PL DEC ±0.08 Fractions ±1/64 Angles ±1° 3) Note reference =		SIGNATURES DRAWN: MRF CHECKED: ENGINEER: APPROVAL: DATE 20AUG14	<div style="text-align: center;">Amphenol</div> Sine Systems - www.amphenol-sine.com 44724 Morley Drive Clinton Township, MI 48036								
MATERIAL SPECIFICATIONS: PROCESS SPECIFICATIONS: NEXT ASSY:		CUSTOMER: THIS DRAWING IS SUPPLIED FOR INFORMATION ONLY. DESIGN FEATURES, SPECIFICATIONS AND PERFORMANCE DATA SHOWN HEREON ARE THE PROPERTY OF THE AMPHENOL CORPORATION. NO RIGHTS OF REPRODUCTION ARE IMPLIED. ALL DIMENSIONS ARE SUBJECT TO NORMAL MANUFACTURING VARIATIONS.	90° MOUNTING ADAPTER, M40 <table border="1"> <tr> <td>SIZE</td> <td>TYPE</td> <td>DWG NO.</td> <td>REVISION</td> </tr> <tr> <td>B</td> <td>C-</td> <td>34-80289</td> <td>01</td> </tr> </table>	SIZE	TYPE	DWG NO.	REVISION	B	C-	34-80289	01
SIZE	TYPE	DWG NO.	REVISION								
B	C-	34-80289	01								
		SCALE: NONE	SHEET 1 OF 1								

TITLE: 90° MOUNTING ADAPTER, M40
 DWG NO:
 REV: 01
 SH: 1
 DF: 1